

SIEMENS

**1M x 16-Bit Dynamic RAM
1k & 4k Refresh
(Hyper Page Mode- EDO)**

**HYB5116165BSJ -50/-60/-70
HYB5118165BSJ -50/-60/-70**

Advanced Information

- 1 048 576 words by 16-bit organization
- 0 to 70 °C operating temperature
- Performance:

		-50	-60	-70	
t _{RAC}	$\overline{\text{RAS}}$ access time	50	60	70	ns
t _{CAC}	$\overline{\text{CAS}}$ access time	13	15	20	ns
t _{AA}	Access time from address	25	30	35	ns
t _{RC}	Read/Write cycle time	84	104	124	ns
t _{HPC}	Hyper page mode (EDO) cycle time	20	25	30	ns

- Single + 5 V (± 10 %) supply
- Low power dissipation
 - max. 1100 active mW (HYB5118165BSJ-50)
 - max. 990 active mW (HYB5118165BSJ-60)
 - max. 880 active mW (HYB5118165BSJ-70)
 - max. 550 active mW (HYB5116165BSJ-50)
 - max. 495 active mW (HYB5116165BSJ-60)
 - max. 440 active mW (HYB5116165BSJ-70)
 - 11 mW standby (TTL)
 - 5.5. mW standby (MOS)
- Output unlatched at cycle end allows two-dimensional chip selection
- Read, write, read-modify-write, $\overline{\text{CAS}}$ -before- $\overline{\text{RAS}}$ refresh, $\overline{\text{RAS}}$ -only refresh, hidden refresh and Self Refresh
- Hyper page mode (EDO) capability
- All inputs, outputs and clocks fully TTL-compatible
- 1024 refresh cycles / 16 ms for HYB5118165BSJ (1k-Refresh)
- 4096 refresh cycles / 64 ms for HYB5116165BSJ (4k-Refresh)
- Plastic Package: P-SOJ-42-1 400 mil

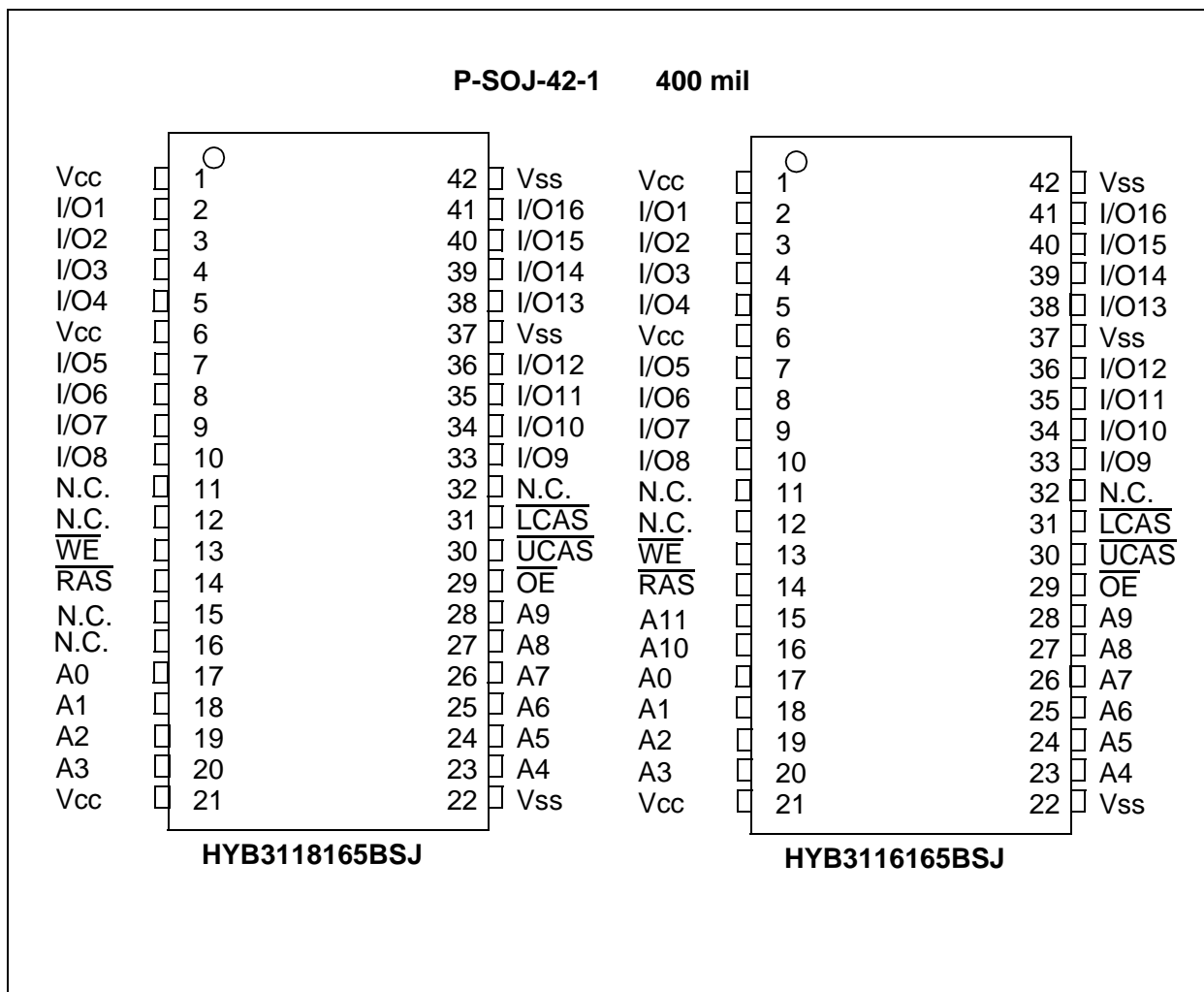
The HYB 5116(8)165BSJ is a 16 MBit dynamic RAM organized as 1 048 576 words by 16-bits. The HYB 5116(8)165BSJ utilizes a submicron CMOS silicon gate process technology, as well as advanced circuit techniques to provide wide operating margins, both internally and for the system user. Multiplexed address inputs permit the HYB 5116(8)165BSJ to be packaged in a standard SOJ 42 plastic package with 400 mil width. These packages provide high system bit densities and are compatible with commonly used automatic testing and insertion equipment. System-oriented features include single + 5 V ($\pm 10\%$) power supply, direct interfacing with high-performance logic device families such as Schottky TTL.

Ordering Information

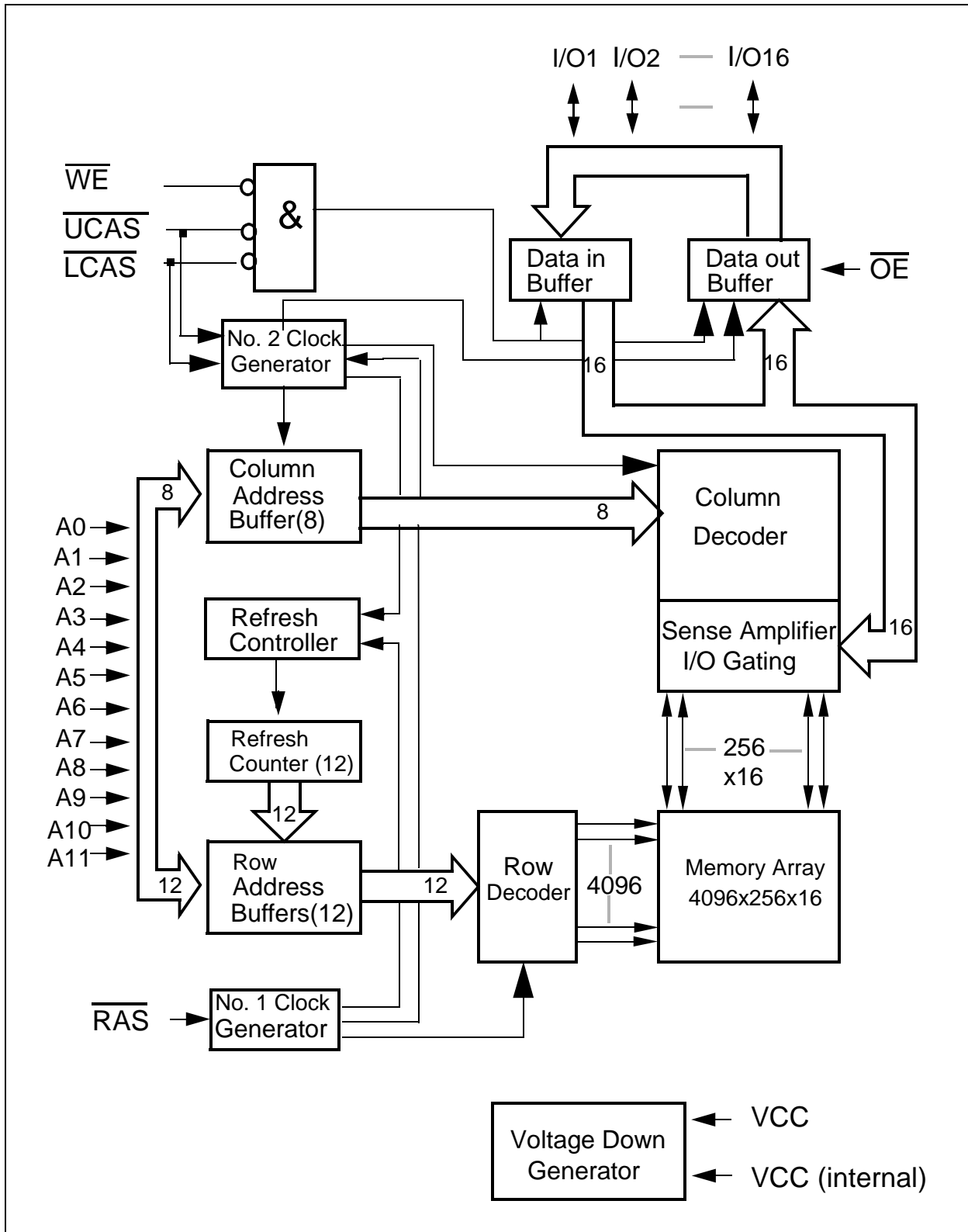
Type	Ordering Code	Package	Descriptions
HYB 5116165BJ-50	on request	P-SOJ-42-1 400 mil	DRAM (access time 50 ns)
HYB 5116165BJ-60	on request	P-SOJ-42-1 400 mil	DRAM (access time 60 ns)
HYB 5116165BJ-70	on request	P-SOJ-42-1 400 mill	DRAM (access time 70 ns)
HYB 5118165BJ-50	Q67100-Q1107	P-SOJ-42-1 400 mil	DRAM (access time 50 ns)
HYB 5118165BJ-60	Q67100-Q1108	P-SOJ-42-1 400 mil	DRAM (access time 60 ns)
HYB 5118165BJ-70	Q67100-Q1109	P-SOJ-42-1 400 mil	DRAM (access time 70 ns)

Pin Names

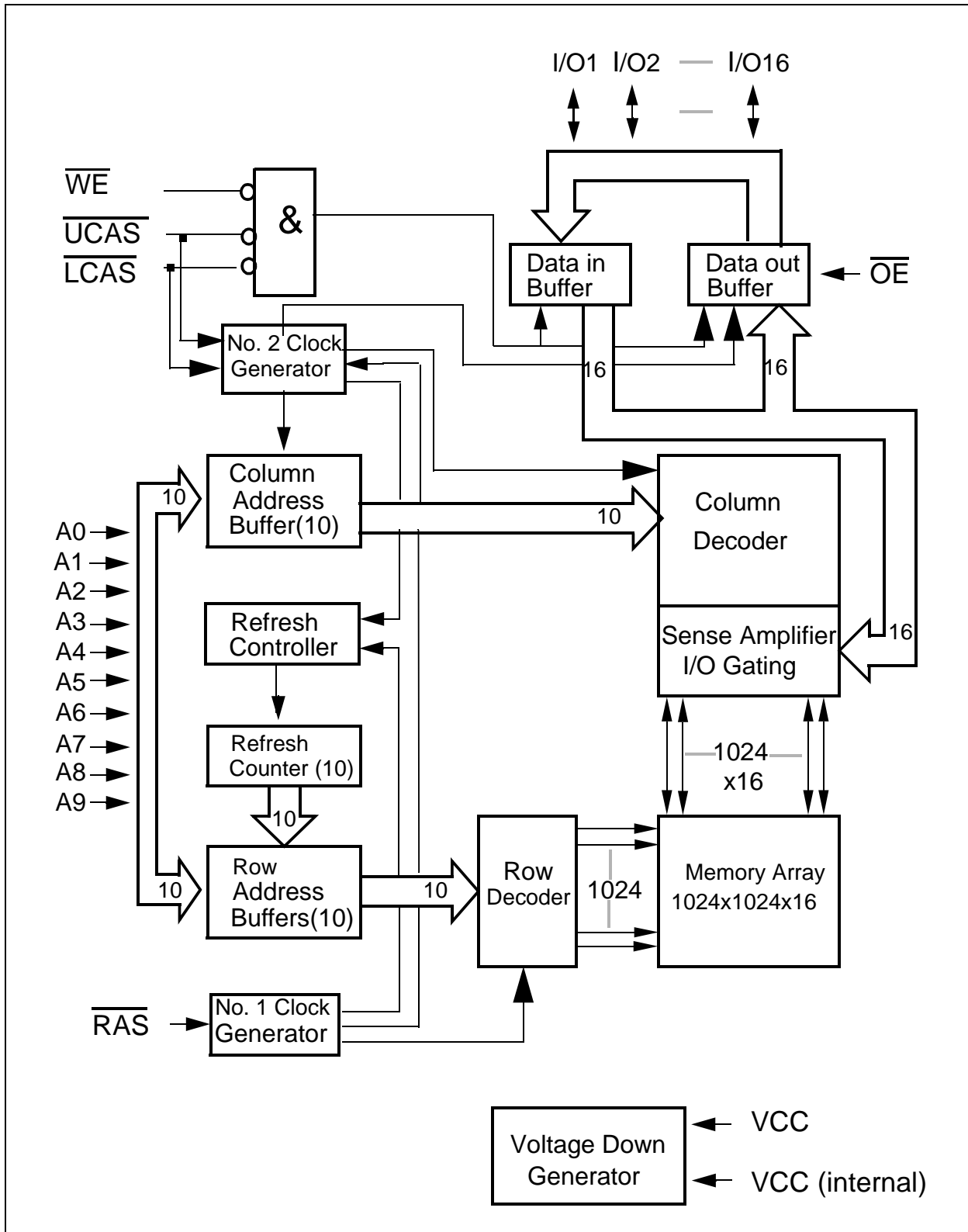
A0-A9	Row Address Inputs for HYB5118165BSJ
A0-A9	Column Address Inputs for HYB5118165BSJ
A0-A11	Row Address Inputs for HYB5116165BSJ
A0 to A7	Column Address Inputs for HYB5116165BSJ
$\overline{\text{RAS}}$	Row Address Strobe
$\overline{\text{OE}}$	Output Enable
I/O1-I/O16	Data Input/Output
$\overline{\text{UCAS}}$	Upper Column Address Strobe
$\overline{\text{LCAS}}$	Lower Column Address Strobe
$\overline{\text{WE}}$	Read/Write Input
V_{CC}	Power Supply (+ 5 V)
V_{SS}	Ground (0 V)
N.C.	not connected



Pin Configuration



Block Diagram for HYB 5116165BSJ



Block Diagram for HYB 5118165BSJ

Absolute Maximum Ratings

Operating temperature range	0 to 70 °C
Storage temperature range.....	- 55 to 150 °C
Input/output voltage	-0.5 to min (V _{CC} +0.5,7.0) V
Power supply voltage.....	-1.0V to 7.0 V
Power dissipation.....	1.0 W
Data out current (short circuit)	50 mA

Note:

Stresses above those listed under “Absolute Maximum Ratings” may cause permanent damage of the device. Exposure to absolute maximum rating conditions for extended periods may affect device reliability.

DC Characteristics(note : values in brackets for HYB5118165BSJ)

T_A = 0 to 70 °C, V_{SS} = 0 V, V_{CC} = 5 V ± 10 %; t_T = 2 ns

Parameter	Symbol	Limit Values		Unit	Test Condition
		min.	max.		
Input high voltage	V _{IH}	2.4	V _{CC} +0.5	V	1)
Input low voltage	V _{IL}	- 0.5	0.8	V	1)
Output high voltage (I _{OUT} = - 5 mA)	V _{OH}	2.4	-	V	1)
Output low voltage (I _{OUT} = 4.2 mA)	V _{OL}	-	0.4	V	1)
Input leakage current (0 V ≤ V _{IH} ≤ V _{CC} + 0.3V, all other pins = 0 V)	I _{I(L)}	- 10	10	μA	1)
Output leakage current (DO is disabled, 0 V ≤ V _{OUT} ≤ V _{CC} + 0.3V)	I _{O(L)}	- 10	10	μA	1)
Average V _{CC} supply current: -50 ns version -60 ns version -70 ns version (\overline{RAS} , \overline{CAS} , address cycling: t _{RC} = t _{RC} min.)	I _{CC1}	-	100(200) 90 (180) 80 (160)	mA mA mA	2) 3) 4)
Standby V _{CC} supply current ($\overline{RAS} = \overline{CAS} = V_{IH}$)	I _{CC2}	-	2	mA	-
Average V _{CC} supply current, during \overline{RAS} -only refresh cycles: -50 ns version -60 ns version -70 ns version (\overline{RAS} cycling, $\overline{CAS} = V_{IH}$, t _{RC} = t _{RC} min.)	I _{CC3}	-	100(200) 90 (180) 80 (160)	mA mA mA	2) 4)

DC Characteristics (note : values in brackets for HYB5118165BSJ)

$T_A = 0$ to 70 °C, $V_{SS} = 0$ V, $V_{CC} = 5$ V \pm 10 %; $t_T = 2$ ns

Parameter	Symbol	Limit Values		Unit	Test Condition
		min.	max.		
Average V_{CC} supply current, during hyper page mode: -50 ns version -60 ns version -70 ns version ($\overline{RAS} = V_{IL}$, \overline{CAS} , address cycling: $t_{PC} = t_{PC}$ min.)	I_{CC4}	–	70 (90) 55 (75) 45 (60)	mA mA mA	2) 3) 4)
Standby V_{CC} supply current ($\overline{RAS} = \overline{CAS} = V_{CC} - 0.2$ V)	I_{CC5}	–	1	mA	1)
Average V_{CC} supply current, during \overline{CAS} -before-RAS refresh mode: -50 ns version -60 ns version -70 ns version (\overline{RAS} , \overline{CAS} cycling: $t_{RC} = t_{RC}$ min.)	I_{CC6}	–	100(200) 90 (180) 80 (160)	mA mA mA	2) 4)
Average Self Refresh Current (CBR cycle with $t_{RAS} > TRASS_{min.}$, \overline{CAS} held low, $\overline{WE} = V_{CC} - 0.2$ V, Address and Din = $V_{CC} - 0.2$ V or 0.2V)	I_{CC7}	–	1	mA	

Capacitance

$T_A = 0$ to 70 °C, $V_{CC} = 5$ V \pm 10 %, $f = 1$ MHz

Parameter	Symbol	Limit Values		Unit
		min.	max.	
Input capacitance (A0 to A11)	C_{I1}	–	5	pF
Input capacitance (\overline{RAS} , \overline{UCAS} , \overline{LCAS} , \overline{WE} , \overline{OE})	C_{I2}	–	7	pF
I/O capacitance (I/O1-I/O16)	C_{I0}	–	7	pF

AC Characteristics ⁵⁾⁶⁾

16E

$T_A = 0$ to 70 °C, $V_{CC} = 5$ V \pm 10 %, $t_T = 2$ ns

Parameter	Symbol	Limit Values						Unit	Note
		-50		-60		-70			
		min.	max.	min.	max.	min.	max.		

common parameters

Random read or write cycle time	t_{RC}	84	–	104	–	124	–	ns	
\overline{RAS} precharge time	t_{RP}	30	–	40	–	50	–	ns	
\overline{RAS} pulse width	t_{RAS}	50	10k	60	10k	70	10k	ns	
\overline{CAS} pulse width	t_{CAS}	8	10k	10	10k	12	10k	ns	
Row address setup time	t_{ASR}	0	–	0	–	0	–	ns	
Row address hold time	t_{RAH}	8	–	10	–	10	–	ns	
Column address setup time	t_{ASC}	0	–	0	–	0	–	ns	
Column address hold time	t_{CAH}	8	–	10	–	12	–	ns	
\overline{RAS} to \overline{CAS} delay time	t_{RCD}	12	37	14	45	14	53	ns	
\overline{RAS} to column address delay	t_{RAD}	10	25	12	30	12	35	ns	
\overline{RAS} hold time	t_{RSH}	13		15	–	17	–	ns	
\overline{CAS} hold time	t_{CSH}	40		50	–	60	–	ns	
\overline{CAS} to \overline{RAS} precharge time	t_{CRP}	5	–	5	–	5	–	ns	
Transition time (rise and fall)	t_T	1	50	1	50	1	50	ns	7
Refresh period for HYB5116165	t_{REF}	–	64	–	64	–	64	ms	
Refresh period for HYB5118165	t_{REF}	–	16	–	16	–	16	ms	

Read Cycle

Access time from \overline{RAS}	t_{RAC}	–	50	–	60	–	70	ns	8, 9
Access time from \overline{CAS}	t_{CAC}	–	13	–	15	–	17	ns	8, 9
Access time from column address	t_{AA}	–	25	–	30	–	35	ns	8,10
\overline{OE} access time	t_{OEA}	–	13	–	15	–	17	ns	
Column address to \overline{RAS} lead time	t_{RAL}	25	–	30	–	35	–	ns	
Read command setup time	t_{RCS}	0	–	0	–	0	–	ns	
Read command hold time	t_{RCH}	0	–	0	–	0	–	ns	11
Read command hold time referenced to \overline{RAS}	t_{RRH}	0	–	0	–	0	–	ns	11
\overline{CAS} to output in low-Z	t_{CLZ}	0	–	0	–	0	–	ns	8
Output buffer turn-off delay	t_{OFF}	0	13	0	15	0	17	ns	12

AC Characteristics (cont'd) 5)6)

16E

$T_A = 0$ to 70 °C, $V_{CC} = 5$ V \pm 10 %, $t_T = 2$ ns

Parameter	Symbol	Limit Values						Unit	Note
		-50		-60		-70			
		min.	max.	min.	max.	min.	max.		
Output turn-off delay from \overline{OE}	t_{OEZ}	0	13	0	15	0	17	ns	12
Data to \overline{CAS} low delay	t_{DZC}	0	–	0	–	0	–	ns	13
Data to \overline{OE} low delay	t_{DZO}	0	–	0	–	0	–	ns	13
\overline{CAS} high to data delay	t_{CDD}	10	–	13	–	15	–	ns	14
\overline{OE} high to data delay	t_{ODD}	10	–	13	–	15	–	ns	14

Write Cycle

Write command hold time	t_{WCH}	8	–	10	–	10	–	ns	
Write command pulse width	t_{WCP}	8	–	10	–	10	–	ns	
Write command setup time	t_{WCS}	0	–	0	–	0	–	ns	15
Write command to \overline{RAS} lead time	t_{RWL}	13	–	15	–	17	–	ns	
Write command to \overline{CAS} lead time	t_{CWL}	13	–	15	–	17	–	ns	
Data setup time	t_{DS}	0	–	0	–	0	–	ns	16
Data hold time	t_{DH}	8	–	10	–	12	–	ns	16

Read-modify-Write Cycle

Read-write cycle time	t_{RWC}	113	–	138	–	162	–	ns	
\overline{RAS} to \overline{WE} delay time	t_{RWD}	64	–	77	–	89	–	ns	15
\overline{CAS} to \overline{WE} delay time	t_{CWD}	27	–	32	–	36	–	ns	15
Column address to \overline{WE} delay time	t_{AWD}	39	–	47	–	54	–	ns	15
\overline{OE} command hold time	t_{OEH}	10	–	13	–	15	–	ns	

Hyper Page Mode (EDO) Cycle

Hyper page mode (EDO) cycle time	t_{HPC}	20	–	25	–	30	–	ns	
\overline{CAS} precharge time	t_{CP}	8	–	10	–	10	–	ns	
Access time from \overline{CAS} precharge	t_{CPA}	–	27	–	32	–	37	ns	7
Output data hold time	t_{COH}	5	–	5	–	5	–	ns	
\overline{RAS} pulse width in EDO mode	t_{RAS}	50	200k	60	200k	70	200k	ns	
\overline{CAS} precharge to \overline{RAS} Delay	t_{RHPC}	27	–	32	–	37	–	ns	

AC Characteristics (cont'd) 5/6)

16E

 $T_A = 0 \text{ to } 70 \text{ }^\circ\text{C}, V_{CC} = 5 \text{ V} \pm 10 \%, t_T = 2 \text{ ns}$

Parameter	Symbol	Limit Values						Unit	Note
		-50		-60		-70			
		min.	max.	min.	max.	min.	max.		

Hyper Page Mode (EDO) Read-modify-Write Cycle

Hyper page mode (EDO) read-write cycle time	t_{PRWC}	58	–	68	–	77	–	ns	
$\overline{\text{CAS}}$ precharge to $\overline{\text{WE}}$	t_{CPWD}	41	–	49	–	56	–	ns	

$\overline{\text{CAS}}$ -before- $\overline{\text{RAS}}$ Refresh Cycle

$\overline{\text{CAS}}$ setup time	t_{CSR}	10	–	10	–	10	–	ns	
$\overline{\text{CAS}}$ hold time	t_{CHR}	10	–	10	–	10	–	ns	
$\overline{\text{RAS}}$ to $\overline{\text{CAS}}$ precharge time	t_{RPC}	5	–	5	–	5	–	ns	
Write to $\overline{\text{RAS}}$ precharge time	t_{WRP}	10	–	10	–	10	–	ns	
Write hold time referenced to $\overline{\text{RAS}}$	t_{WRH}	10	–	10	–	10	–	ns	

$\overline{\text{CAS}}$ -before- $\overline{\text{RAS}}$ Counter Test Cycle

$\overline{\text{CAS}}$ precharge time	t_{CPT}	35	–	40	–	40	–	ns	
--	-----------	----	---	----	---	----	---	----	--

Self Refresh Cycle

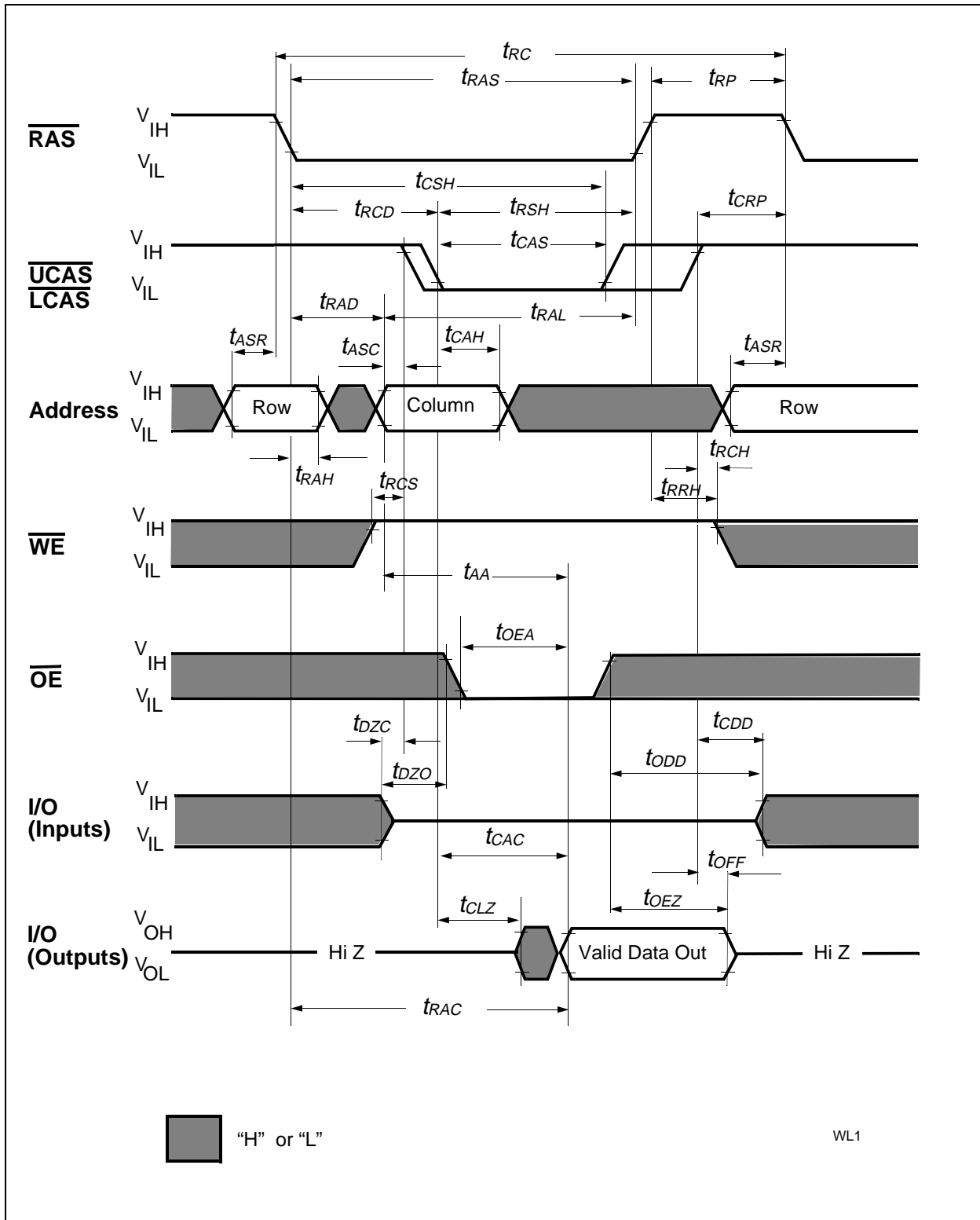
$\overline{\text{RAS}}$ pulse width	t_{RASS}	100k	–	100k	–	100k	–	ns	17
$\overline{\text{RAS}}$ precharge	t_{RPS}	95	–	110	–	130	–	ns	17
$\overline{\text{CAS}}$ hold time	t_{CHS}	-50	–	-50	–	-50	–	ns	17

Notes:

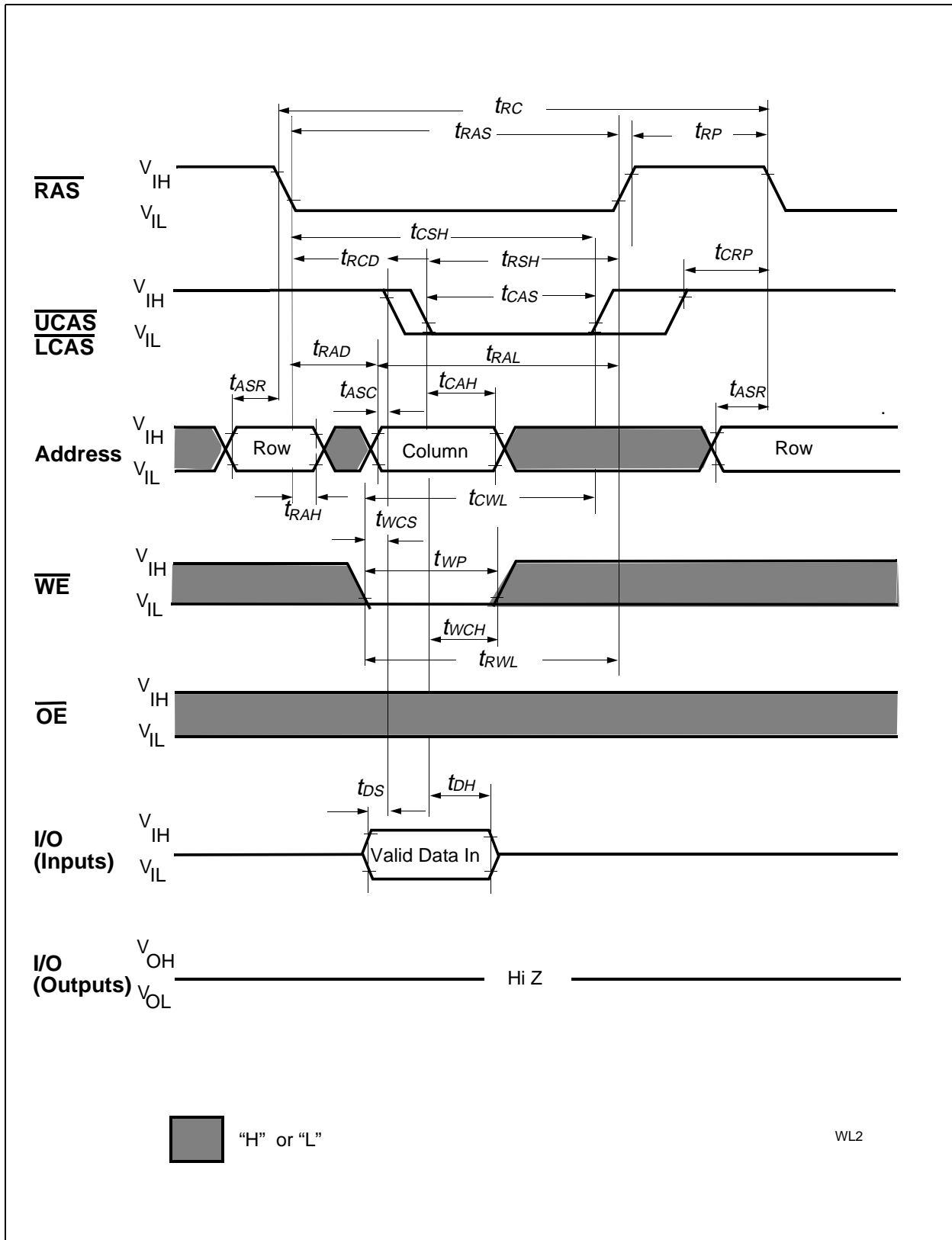
- 1) All voltages are referenced to V_{SS} .
- 2) I_{CC1} , I_{CC3} , I_{CC4} and I_{CC6} depend on cycle rate.
- 3) I_{CC1} and I_{CC4} depend on output loading. Specified values are obtained with the output open.
- 4) Address can be changed once or less while $RAS = \overline{Vil}$. In case of ICC4 it can be changed once or less during a hyper page mode (EDO) cycle
- 5) An initial pause of 200 μs is required after power-up followed by 8 \overline{RAS} cycles of which at least one cycle has to be a refresh cycle, before proper device operation is achieved. In case of using the internal refresh counter, a minimum of 8 CAS-before-RAS initialization cycles instead of 8 \overline{RAS} cycles are required.
- 6) AC measurements assume $t_T = 2$ ns.
- 7) $V_{IH (min.)}$ and $V_{IL (max.)}$ are reference levels for measuring timing of input signals. Transition times are also measured between V_{IH} and V_{IL} .
- 8) Measured with the specified current load and 100 pF at $V_{ol} = 0.8$ V and $V_{oh} = 2.0$ V. Access time is determined by the latter of t_{RAC} , t_{CAC} , t_{AA} , t_{CPA} , t_{OEA} . t_{CAC} is measured from tristate.
- 9) Operation within the $t_{RCD (max.)}$ limit ensures that $t_{RAC (max.)}$ can be met. $t_{RCD (max.)}$ is specified as a reference point only. If t_{RCD} is greater than the specified $t_{RCD (max.)}$ limit, then access time is controlled by t_{CAC} .
- 10) Operation within the $t_{RAD (max.)}$ limit ensures that $t_{RAC (max.)}$ can be met. $t_{RAD (max.)}$ is specified as a reference point only. If t_{RAD} is greater than the specified $t_{RAD (max.)}$ limit, then access time is controlled by t_{AA} .
- 11) Either t_{RCH} or t_{RRH} must be satisfied for a read cycle.
- 12) $t_{OFF (max.)}$, $t_{OEZ (max.)}$ define the time at which the output achieves the open-circuit conditions and are not referenced to output voltage levels. t_{OFF} is referenced from the rising edge of \overline{RAS} or \overline{CAS} , whichever occurs last.
- 13) Either t_{DZC} or t_{DZO} must be satisfied.
- 14) Either t_{CDD} or t_{ODD} must be satisfied.
- 15) t_{WCS} , t_{RWD} , t_{CWD} and t_{AWD} are not restrictive operating parameters. They are included in the data sheet as electrical characteristics only. If $t_{WCS} > t_{WCS (min.)}$, the cycle is an early write cycle and data out pin will remain open-circuit (high impedance) through the entire cycle; if $t_{RWD} > t_{RWD (min.)}$, $t_{CWD} > t_{CWD (min.)}$ and $t_{AWD} > t_{AWD (min.)}$, the cycle is a read-write cycle and I/O will contain data read from the selected cells. If neither of the above sets of conditions is satisfied, the condition of I/O (at access time) is indeterminate.
- 16) These parameters are referenced to the \overline{CAS} leading edge in early write cycles and to the \overline{WE} leading edge in read-write cycles.
- 17) When using Self Refresh mode, the following refresh operations must be performed to ensure proper DRAM operation:

If row addresses are being refreshed on an evenly distributed manner over the refresh interval using CBR refresh cycles, then only one CBR cycle must be performed immediately after exit from Self Refresh.

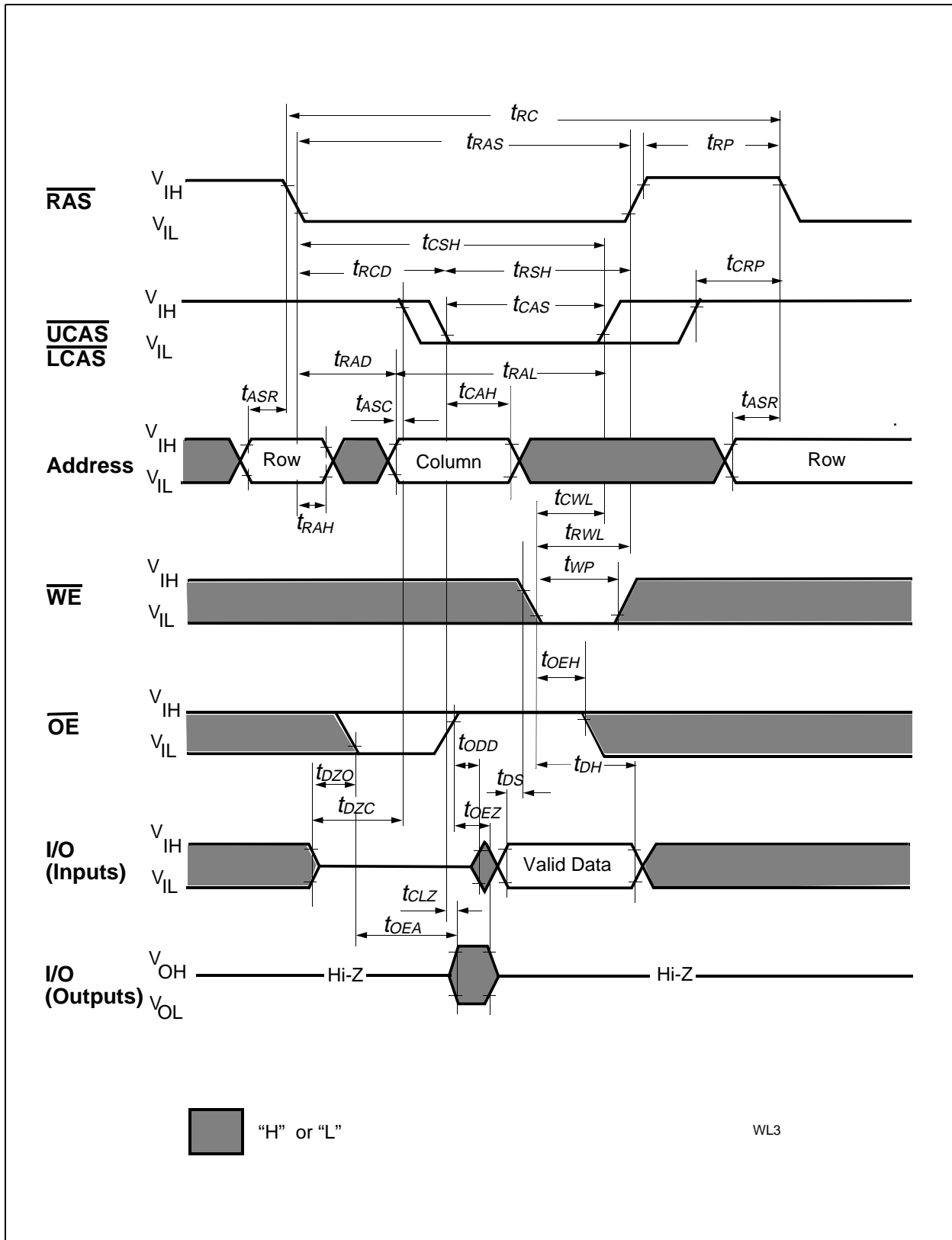
If row addresses are being refreshed in any other manner (ROR - Distributed/Burst; or CBR-Burst) over the refresh interval, then a full set of row refreshes must be performed immediately before entry to and immediately after exit from Self Refresh



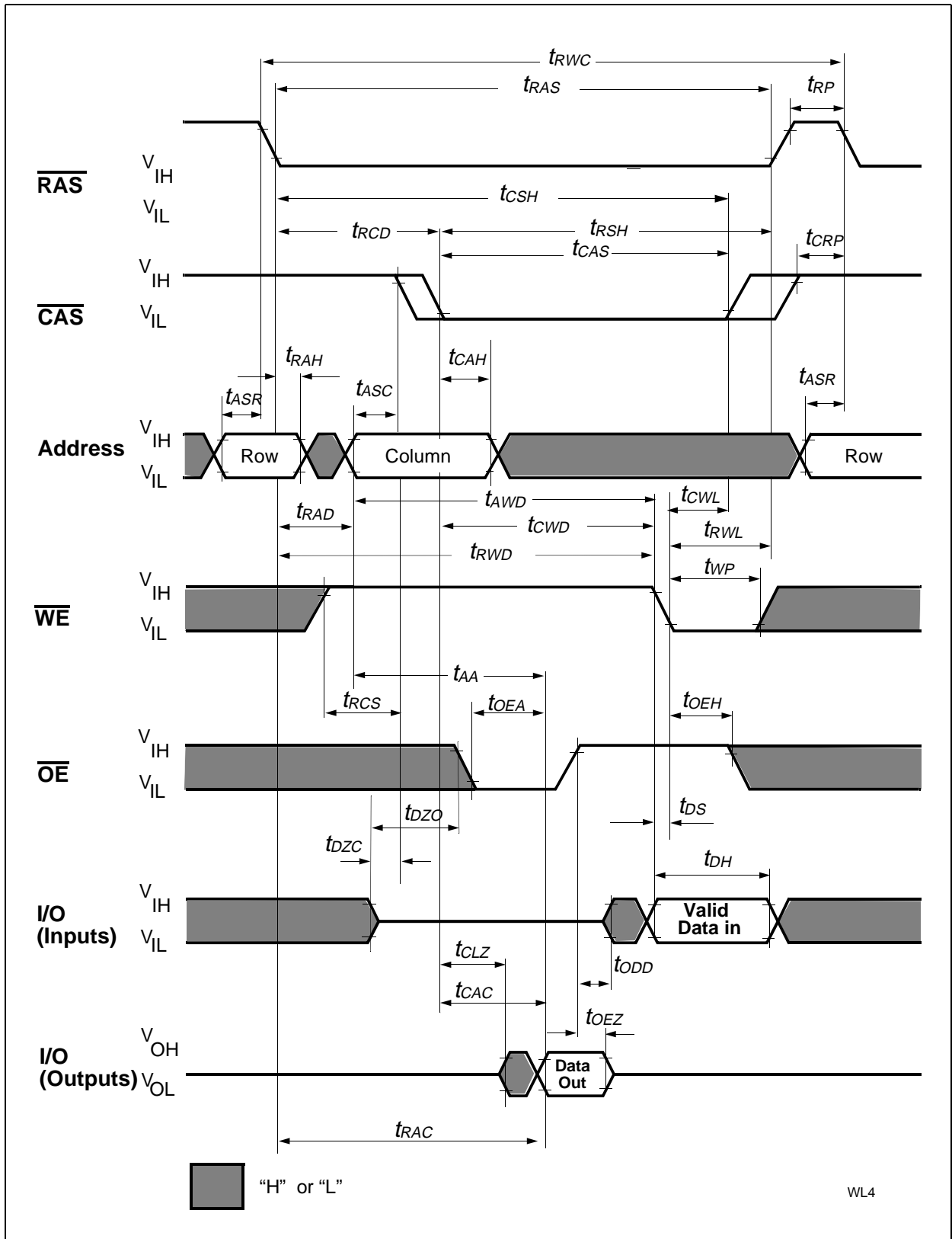
Read Cycle



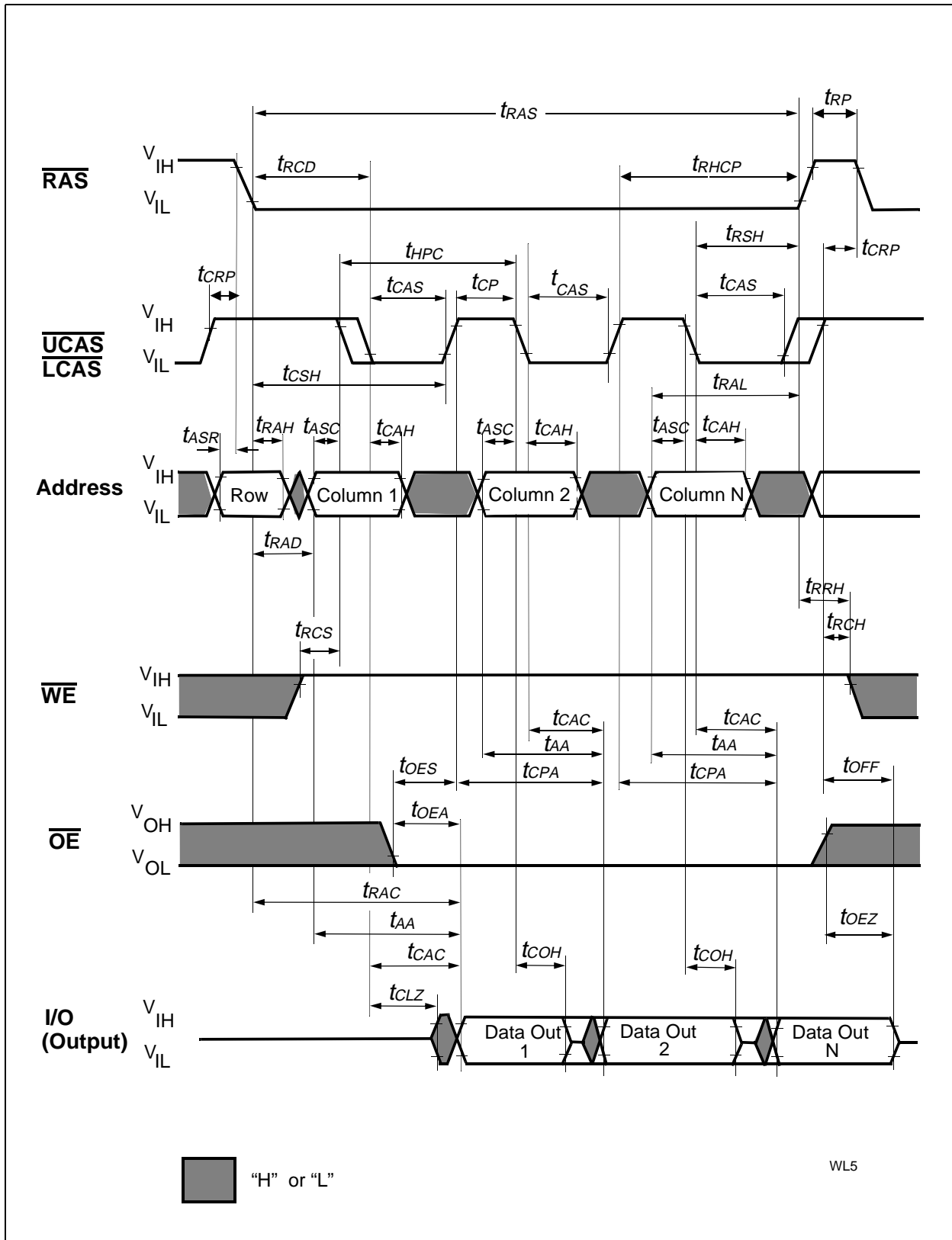
Write Cycle (Early Write)



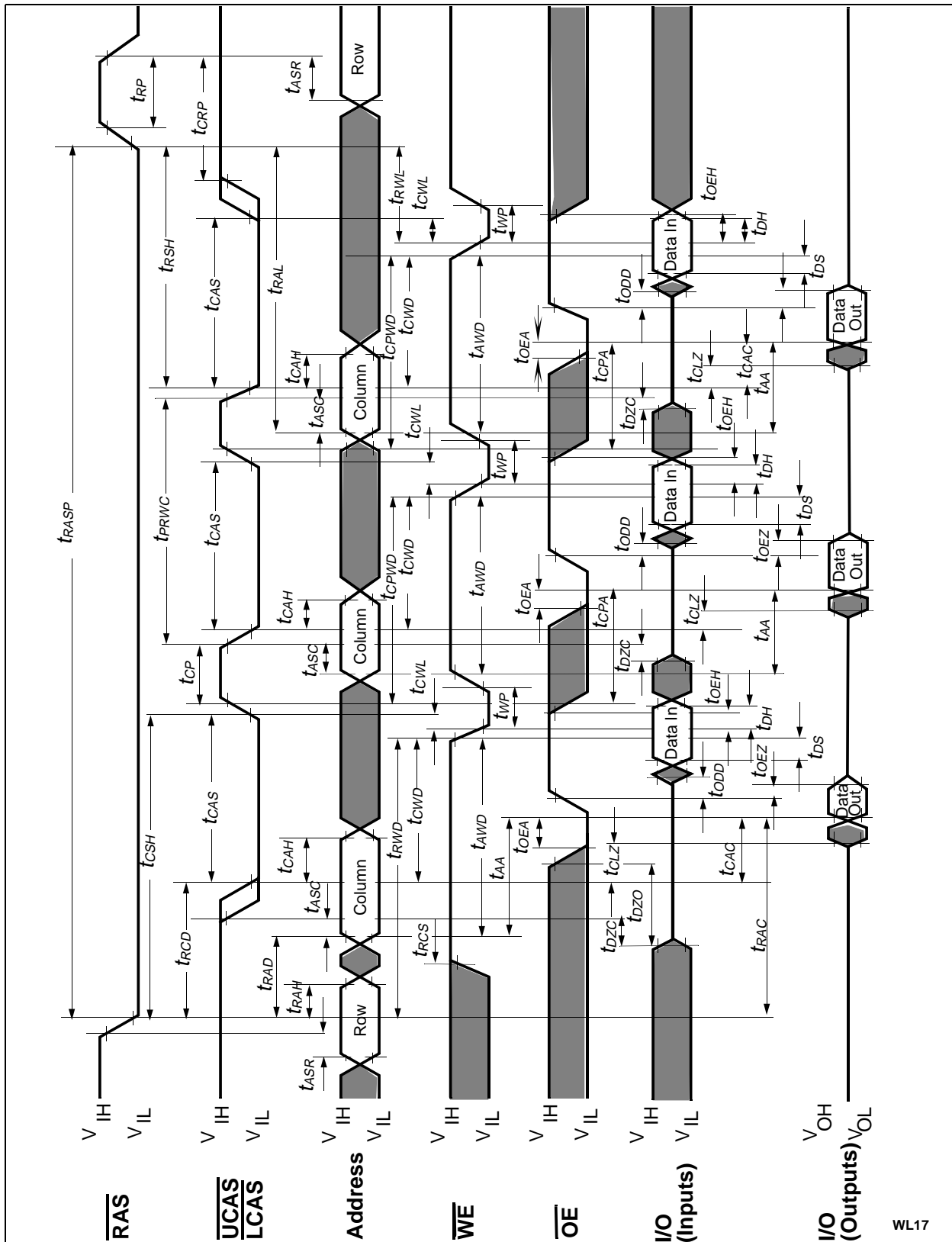
Write Cycle (\overline{OE} Controlled Write)



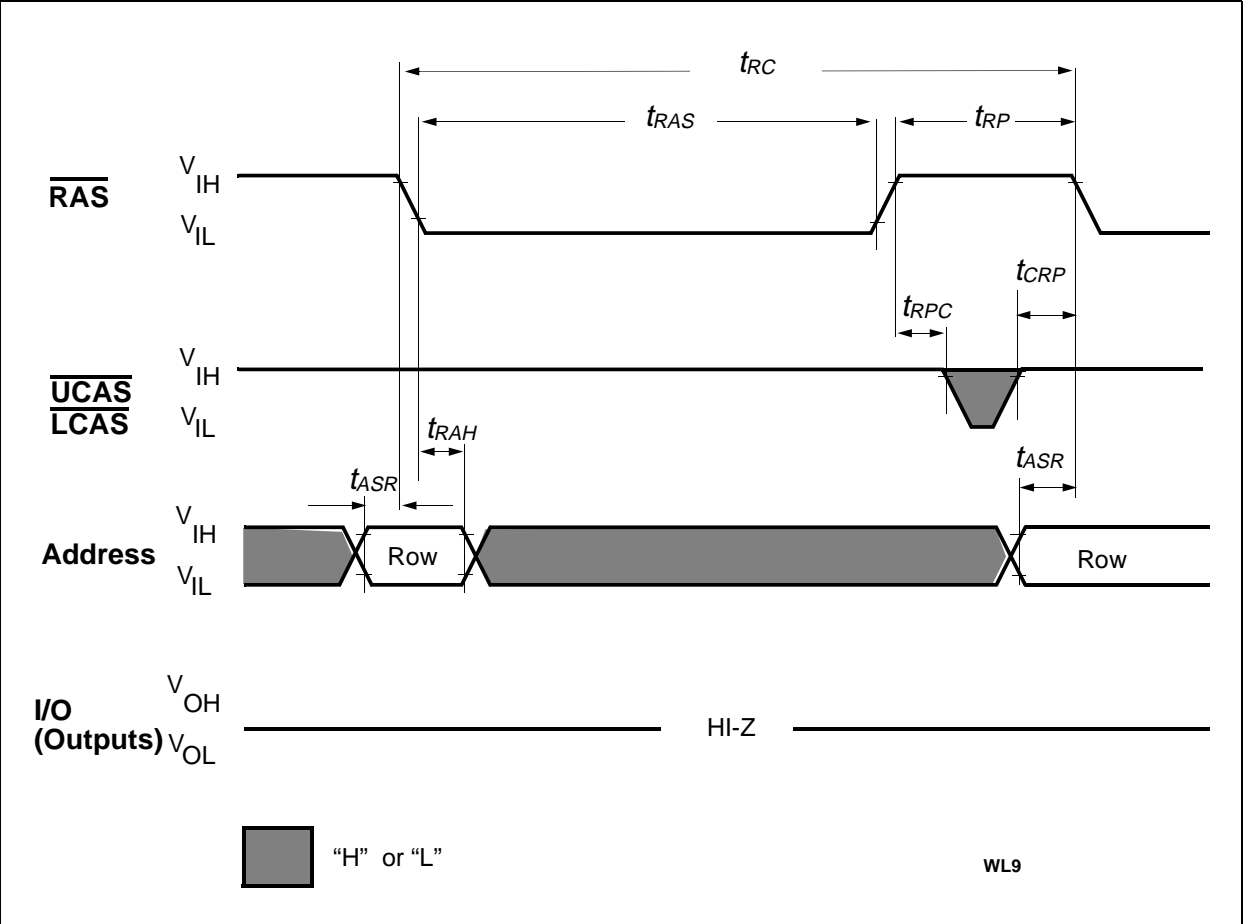
Read-Write (Read-Modify-Write) Cycle



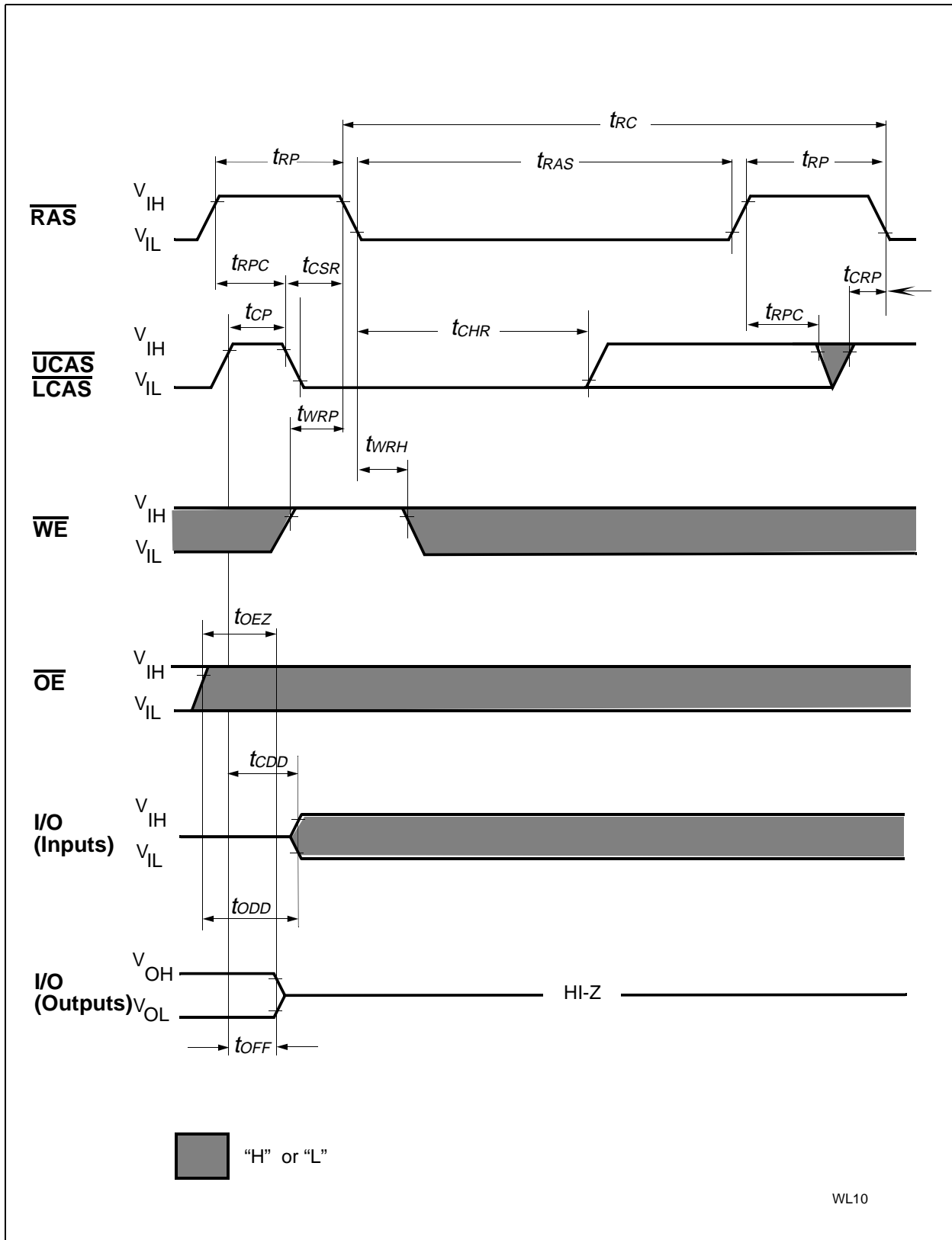
Hyper Page Mode (EDO) Read Cycle



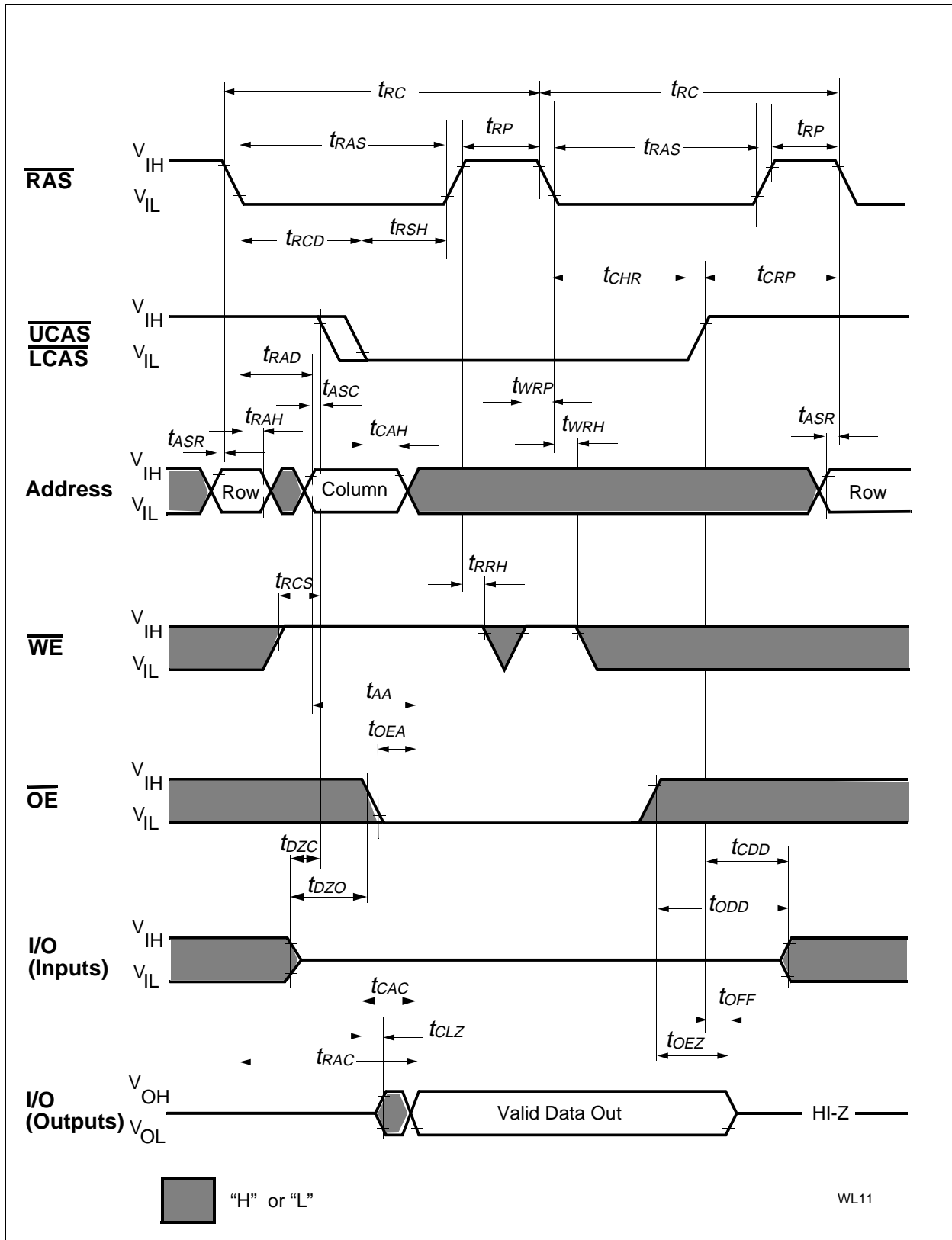
Hyper Page Mode (EDO) Late Write and Read-Modify Write Cycle



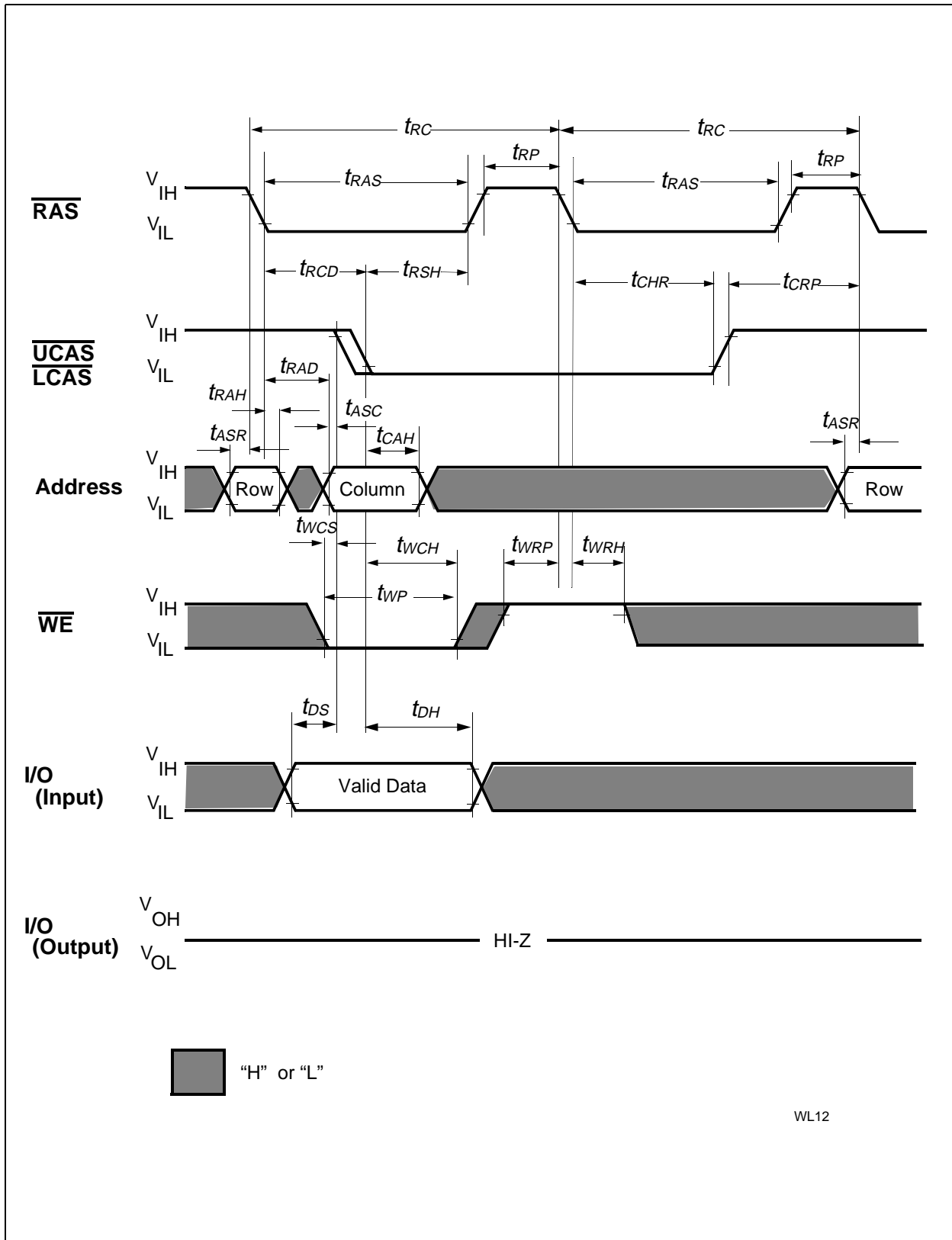
$\overline{\text{RAS}}$ -Only Refresh Cycle



CAS-Before-RAS Refresh Cycle

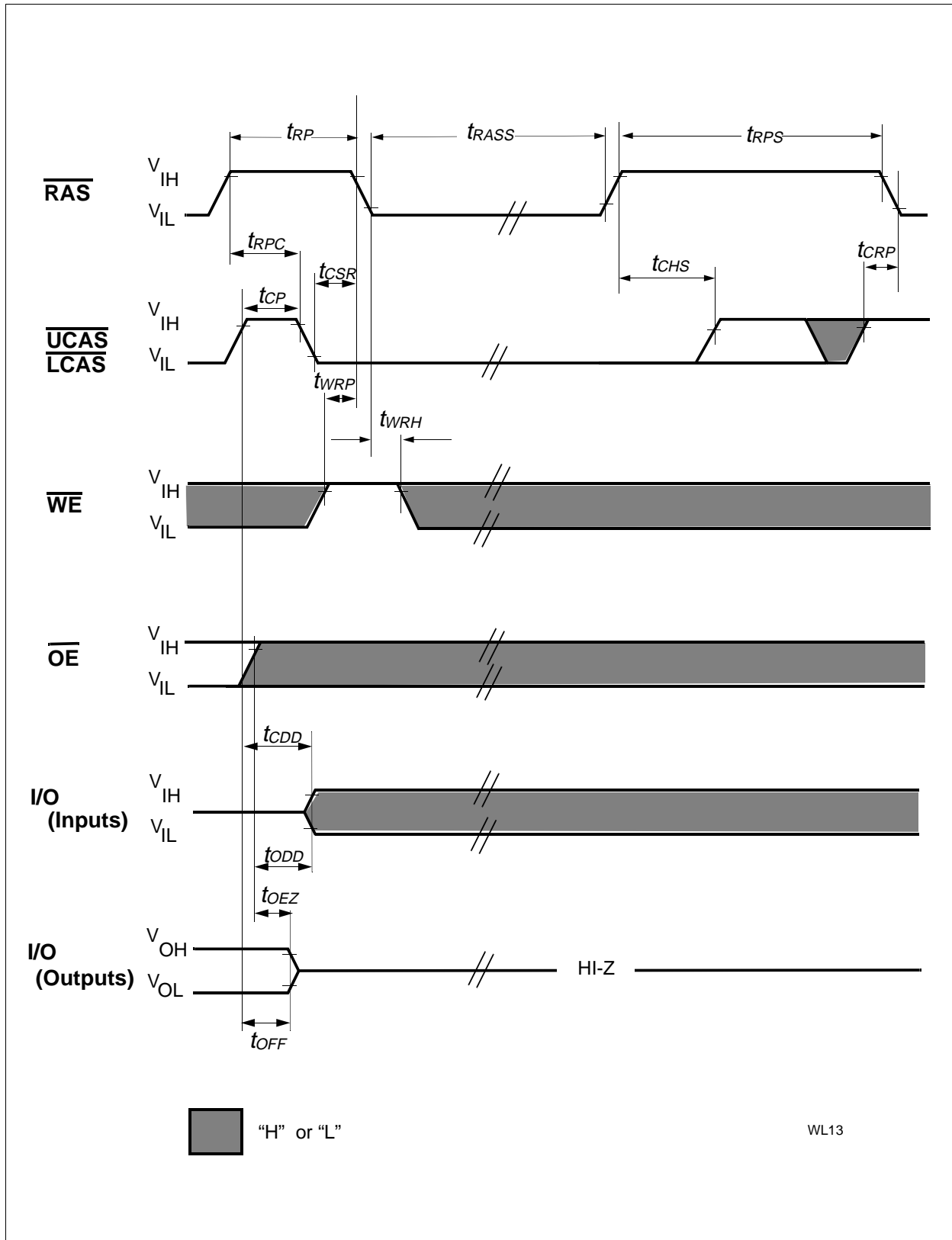


Hidden Refresh Cycle (Read)

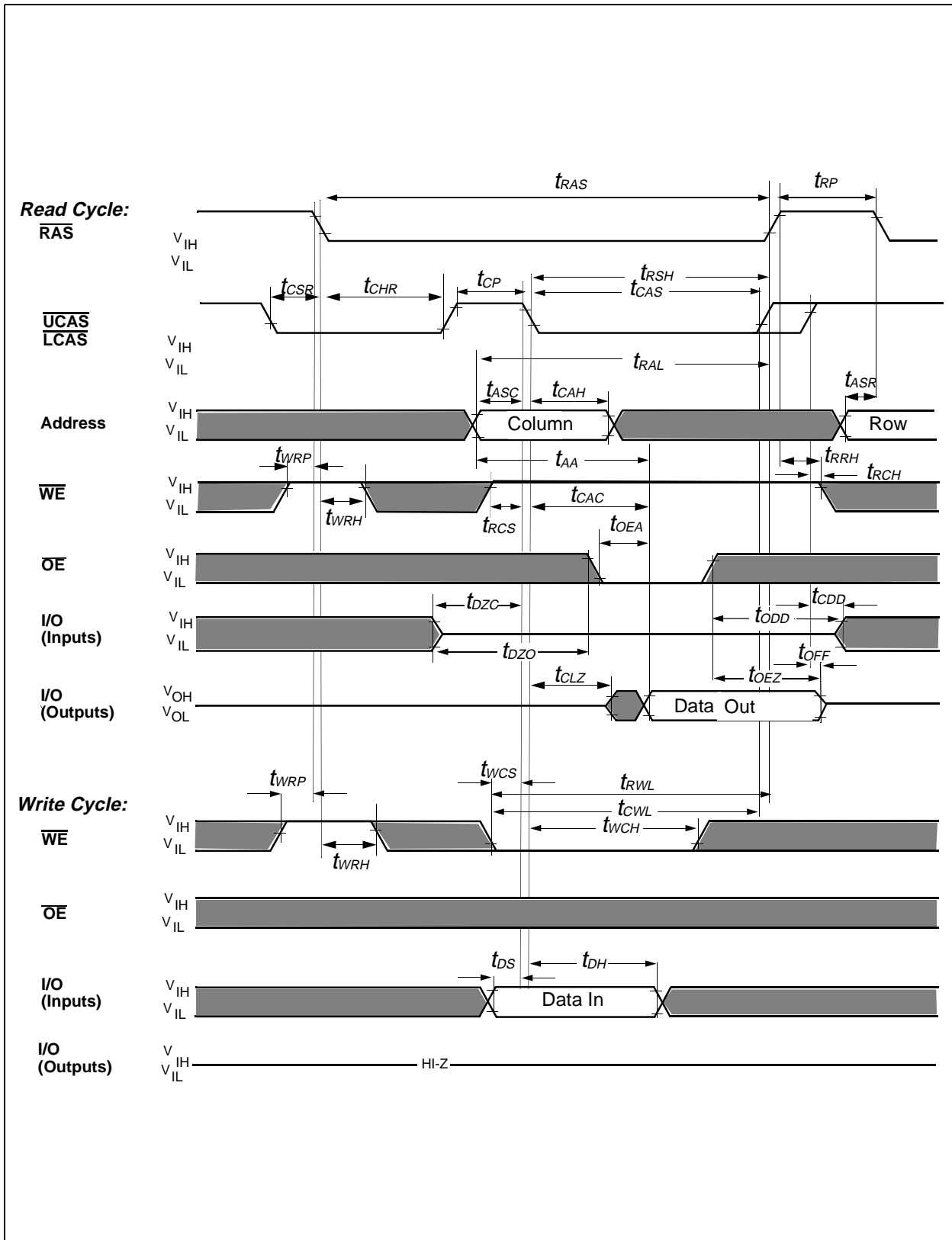


WL12

Hidden Refresh Cycle (Early Write)

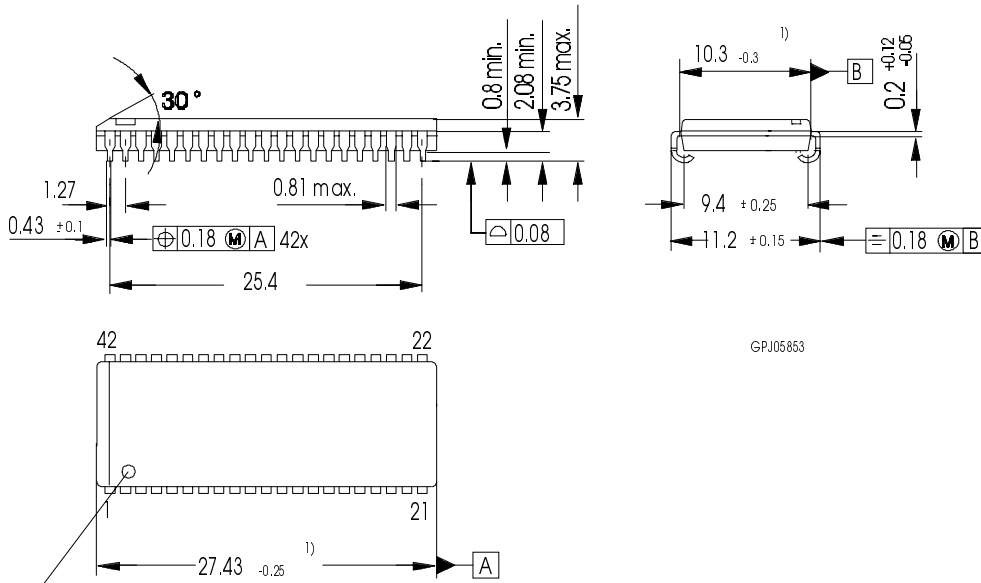


$\overline{\text{CAS}}$ before $\overline{\text{RAS}}$ Self Refresh Cycle



\overline{CAS} -Before- \overline{RAS} Refresh Counter Test Cycle

Plastic Package P-SOJ-42 (400 mil)
(Small Outline J-lead, SMD)



GPJ05853

Index marking

1) does not include plastic or metal protusion of 0.15 max per side