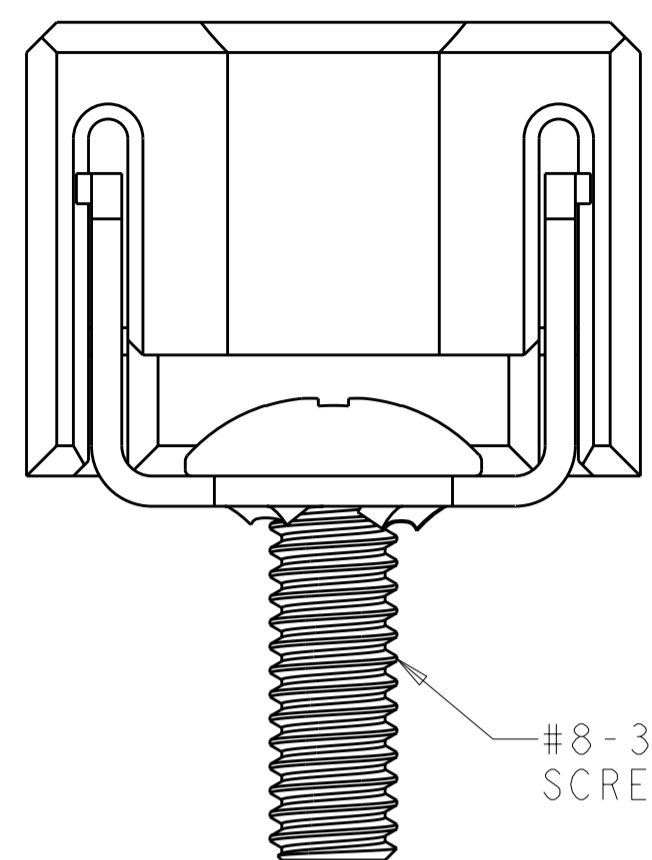


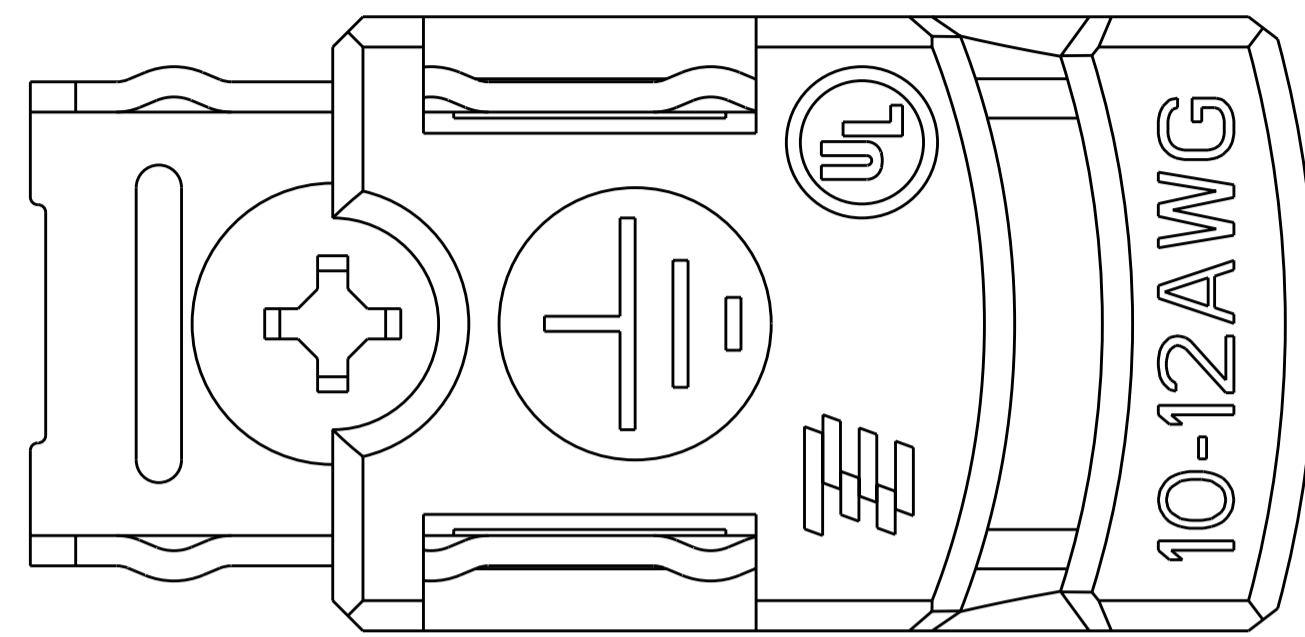
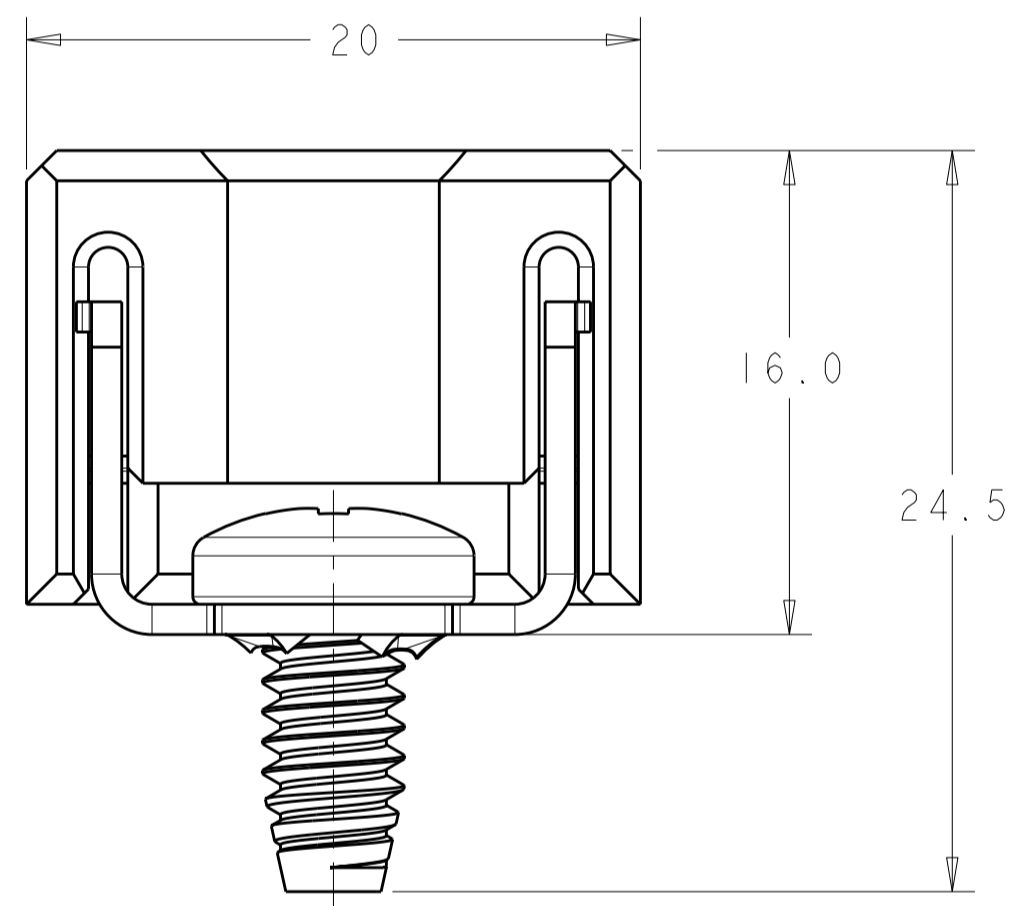
THIS DRAWING IS UNPUBLISHED. RELEASED FOR PUBLICATION 20
 © COPYRIGHT 20 BY TYCO ELECTRONICS CORPORATION. ALL RIGHTS RESERVED.

LOC	DIST	REVISIONS					
FT	0	P	LTR	DESCRIPTION	DATE	DWN	APVD
			CI	REVISED PER ECO-09-007901	30MAR2009	SS	MS

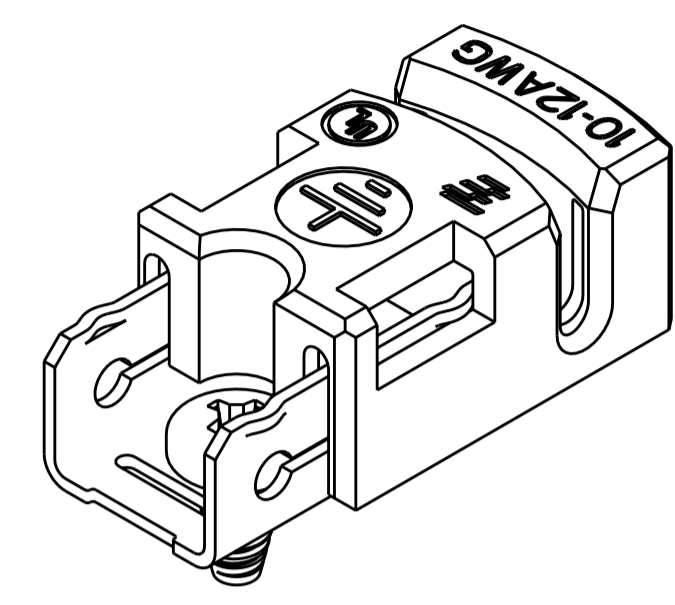
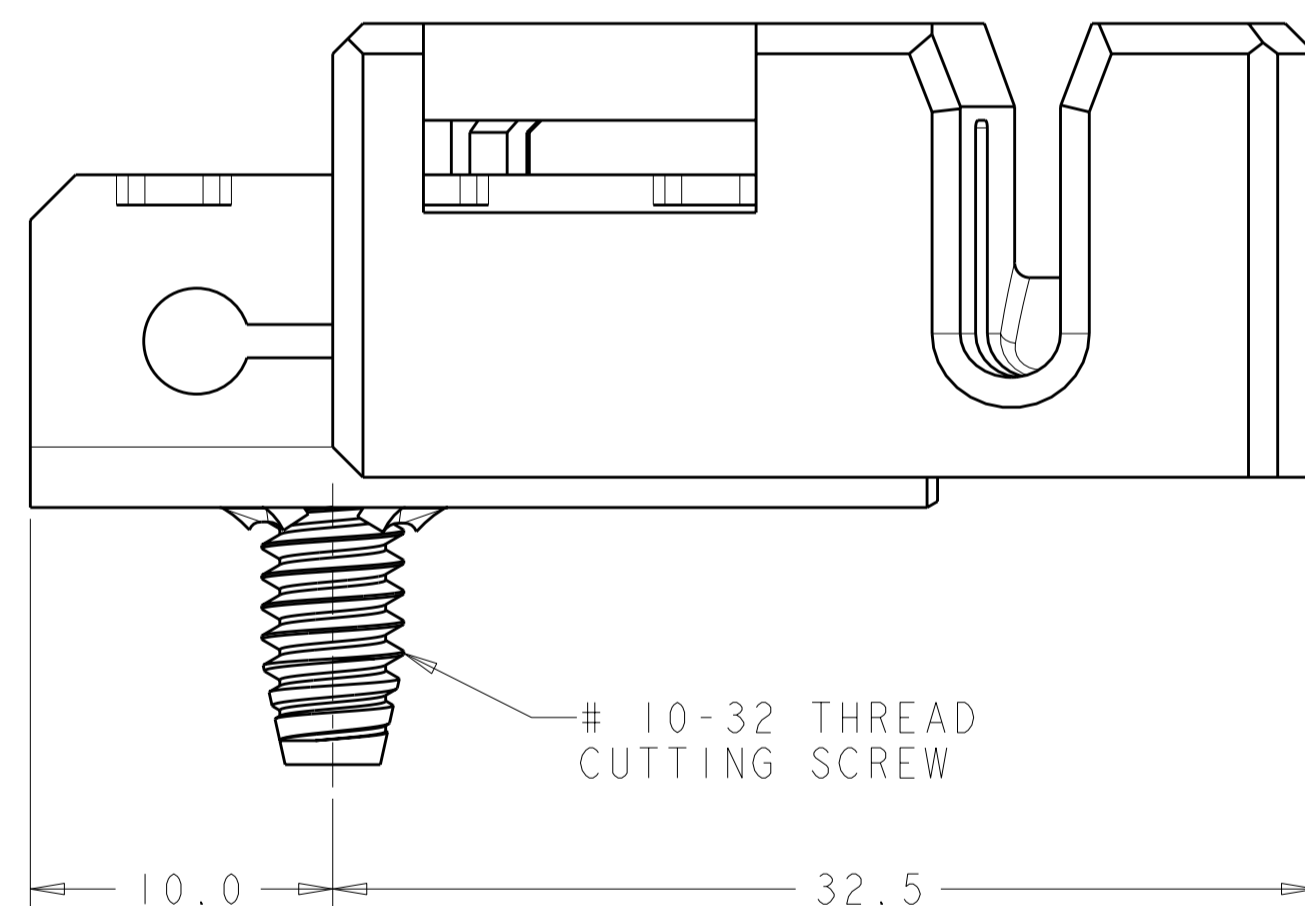


#8-32 PAN HEAD SCREW

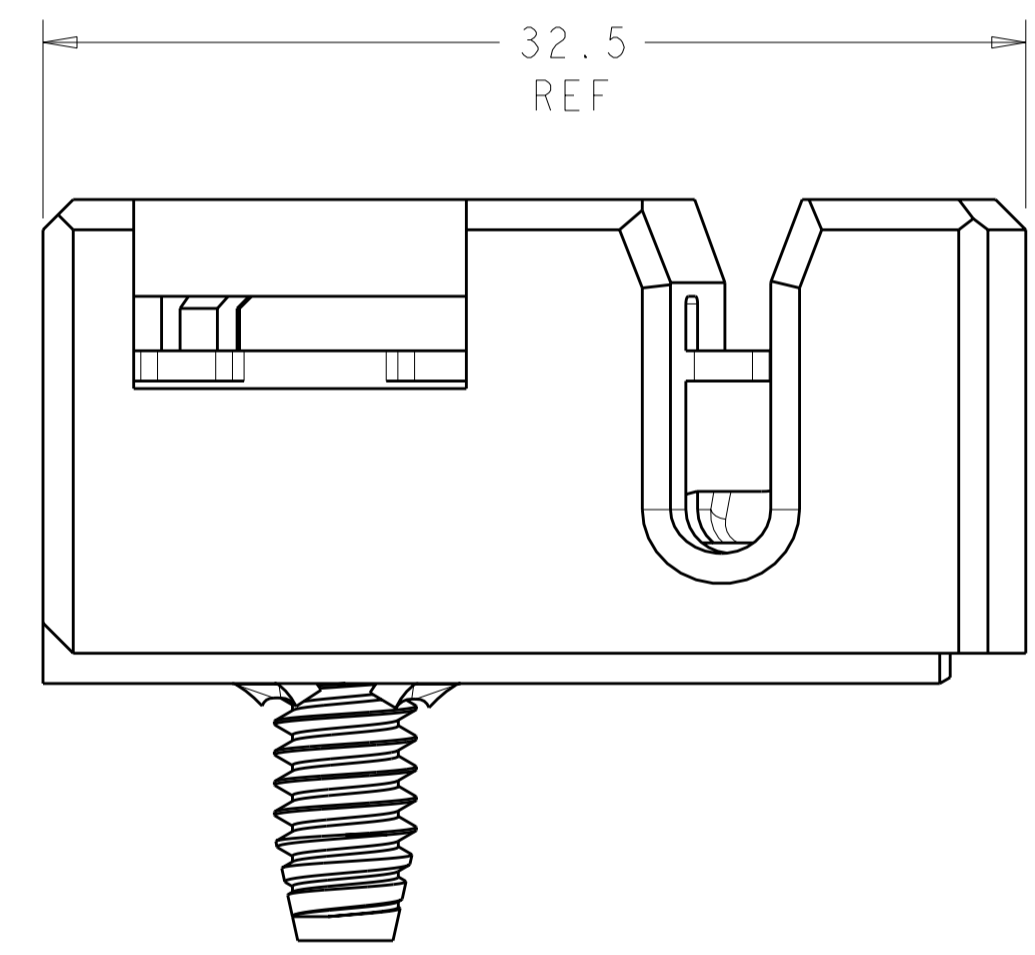
1954381-2 & -3



10-32 THREAD CUTTING SCREW



SCALE 2:1



CLOSED POSITION

1 MATERIALS AND FINISH:
 SLIDER: PBT OR EQUIVALENT, UV FI RATING, BLACK, 94V5
 BASE: COPPER ALLOY; FINISH: Sn OVER Ni
 THREAD-CUTTING SCREW: STAINLESS STEEL

- 2. COMPLIES WITH DIRECTIVE 2002/95/EC (ROHS)
- 3. PATENT PENDING

4 8-32 NUT IS PACKAGED AS A SEPARTATE COMPONENT OF PN 1954381-2.

5 KEPS NUT WASHER IS PACKAGED AS A SEPERATE COMPONENT OF 1954381-3.

6 PRELIMINARY PART NUMBER.

6	5	NUT WASHER	#8 PAN HEAD	1954381-3
4		#8-32	#8-32 PAN HEAD	1954381-2
		NONE	#10-32 THREAD CUTTING	1954381-1
		NUT	SCREW	PART NUMBER

THIS DRAWING IS A CONTROLLED DOCUMENT FOR TYCO ELECTRONICS CORPORATION IT IS SUBJECT TO CHANGE AND THE CONTROLLING ENGINEERING ORGANIZATION SHOULD BE CONTACTED FOR THE LATEST REVISION.		DWN MOHAN 31OCT2006 CHK S. DUESTERHOEFF 01NOV2006 APVD M. STRECKEWALD 01JUN2007	Tyco Electronics Harrisburg, PA 17105-3608
DIMENSIONS: mm	TOLERANCES UNLESS OTHERWISE SPECIFIED: 0 PLC ± 1 PLC ±1.0 2 PLC ±0.10 3 PLC ± 4 PLC ± ANGLES ±3° FINISH	PRODUCT SPEC APPLICATION SPEC WEIGHT	NAME GROUNDING CLIP ASSEMBLY 10-12 AWG SOLID WIRE
MATERIAL			SIZE CAGE CODE DRAWING NO RESTRICTED TO A200779C-1954381 -
CUSTOMER DRAWING		SCALE 4:1	SHEET OF REV