

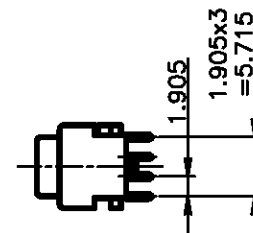
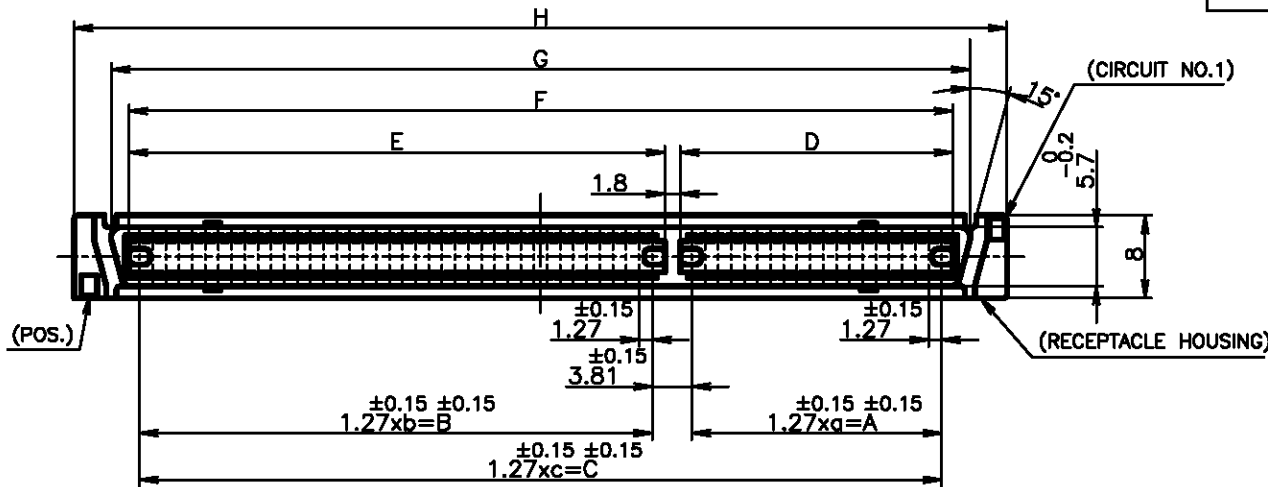
THIS DRAWING IS UNPUBLISHED. RELEASED FOR PUBLICATION AUG, 1988.

© COPYRIGHT 1989 BY TYCO ELECTRONICS CORPORATION. ALL RIGHTS RESERVED.

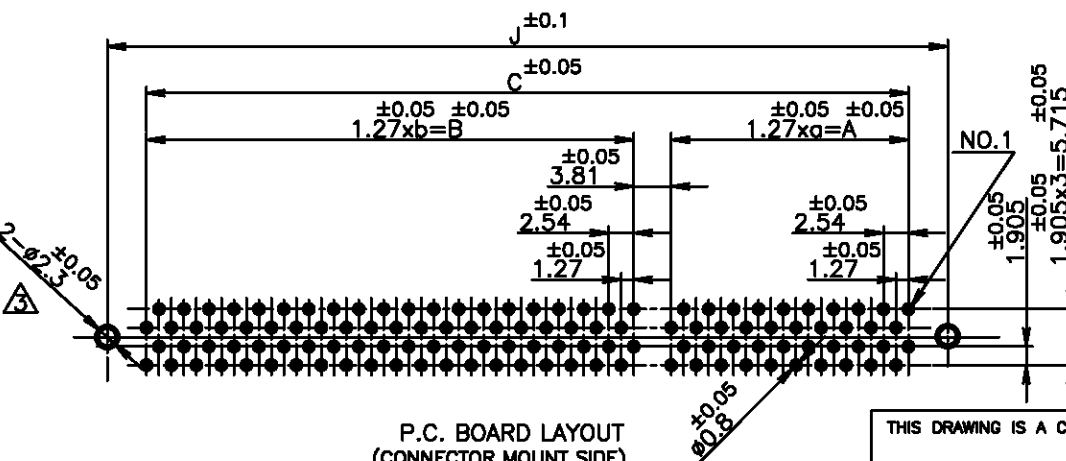
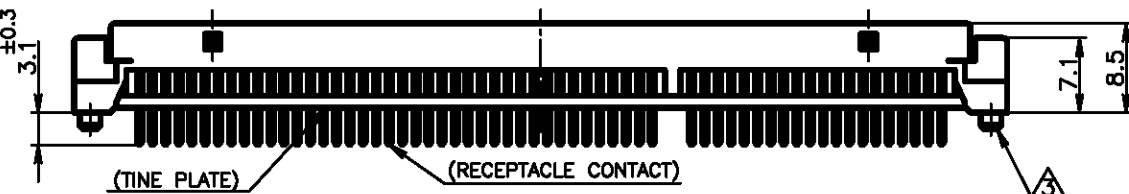
LOC ES DIST 00

REVISIONS

P	LTR	DESCRIPTION	DATE	DWN	APVD
0		RELEASE FJBO-0884-04	31AUG04	R.H	I.E



- ⚠ MATERIAL: HOUSING: GLASS FILLED 66NYLON (UL94V-0) BLACK
CONTACT: PHOSPHOR-BRONZE
- ⚠ FINISH: CONTACT: 0.0003 MIN. Au AT CONTACT AREA,
0.001 MIN. TIN AT TINE, OVER Ni
- ⚠ BOSS FOR POSITIONING: P/N -1, -2, -3, -4



49	62.23	49	62.23	49	62.23	49	62.23	64.23	67.32	74.85	72.2	0.00076	100	2-	⚠	-4
39	49.53	49	62.23	49	62.23	49	62.23	64.23	67.32	74.85	72.2	0.0003	180			-8
29	36.83	39	49.53	49	62.23	49	62.23	64.23	67.32	74.85	72.2	0.0003	140			-6
19	24.13	39	49.53	49	62.23	49	62.23	64.23	67.32	74.85	72.2	0.0003	120			-5
				49	62.23	49	62.23	64.23	67.32	74.85	72.2	0.0003	100			-4
				39	49.53	49	62.23	64.23	67.32	74.85	72.2	0.0003	80			-3
				29	36.83	39	49.53	64.23	67.32	74.85	72.2	0.0003	60			-2
				19	24.13	29	36.83	64.23	67.32	74.85	72.2	0.0003	40			5176371-1
a	A	b	B	c	C	D	E	F	G	H	J	THK OF GOLD	POS.	P/N		

P.C. BOARD LAYOUT (CONNECTOR MOUNT SIDE)

LEAD FREE

GENERAL TOLERANCE
 10 ≥ : ±0.2
 30 ≥ > 10: ±0.25
 100 ≥ > 30: ±0.3
 ANGLES: ±3°

THIS DRAWING IS A CONTROLLED DOCUMENT.

DRW: Roy Hao 31/Aug/04
 CHK: STEVEN YAO 31/Aug/04
 APVD: I. ENOMOTO 31/Aug/04

NAME: AMP FH CONNECTOR RECEPTACLE (VERTICAL)
 11mm STACKING

SIZE: A3 CAGE CODE: 00779 C=5176371 DRAWING NO: 5176371

CUSTOMER DRAWING SCALE: 2:1 SHEET: 1 OF 1 REV: 0