

PLEASE CHECK WWW.MOLEX.COM FOR LATEST PART INFORMATION

Part Number: [0879200833](#)
Status: **Active**
Overview: milligrid
Description: 2.54mm (.100") Pitch C-Grid® Header, Surface Mount, Dual Row, Vertical, 8 Circuits, 2.50µm (98µ") Tin (Sn) Plating, with Pick-and-Place Cap, without Peg, Tape on Reel Packaging, Lead-free

Documents:

[3D Model](#) [Product Specification PS-87920-019 \(PDF\)](#)
[Drawing \(PDF\)](#) [RoHS Certificate of Compliance \(PDF\)](#)

Agency Certification

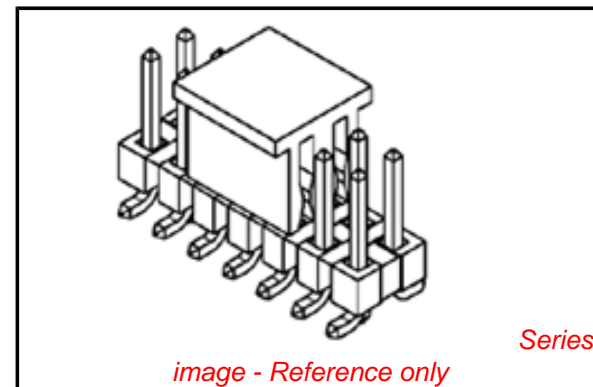
UL E29179

General

Product Family PCB Headers
 Series [87920](#)
 Application Board-to-Board, Wire-to-Board
 Overview [milligrid](#)
 Product Name C-Grid®

Physical

Breakaway Yes
 Circuits (Loaded) 8
 Circuits (maximum) 8
 Color - Resin Black
 First Mate / Last Break No
 Flammability 94V-0
 Glow-Wire Compliant No
 Guide to Mating Part No
 Keying to Mating Part None
 Lock to Mating Part None
 Mated Height (in) 0.120 In
 Mated Height (mm) 3.05 mm
 Material - Metal Copper Alloy
 Material - Plating Mating Tin
 Material - Plating Termination Tin
 Material - Resin High Temperature Thermoplastic
 Number of Rows 2
 Orientation Vertical
 PCB Locator No
 PCB Retention None
 PCB Thickness Recommended (in) 0.063 In
 PCB Thickness Recommended (mm) 1.60 mm
 Packaging Type Embossed Tape on Reel
 Pitch - Mating Interface (in) 0.100 In
 Pitch - Mating Interface (mm) 2.54 mm
 Pitch - Term. Interface (in) 0.100 In
 Pitch - Term. Interface (mm) 2.54 mm
 Plating min: Mating (µin) 98
 Plating min: Mating (µm) 2.50
 Plating min: Termination (µin) 49
 Plating min: Termination (µm) 1.25
 Polarized to Mating Part No
 Polarized to PCB No
 Robotic Placement Pick and Place Cap



EU RoHS

ELV and RoHS Compliant
REACH SVHC
 Not Reviewed
Halogen-Free Status
Not Reviewed

China RoHS



Need more information on product environmental compliance?

Email productcompliance@molex.com
 For a multiple part number RoHS Certificate of Compliance, [click here](#)

Please visit the [Contact Us](#) section for any non-product compliance questions.

Search Parts in this Series

[87920Series](#)

Mates With

7859 Shunts, C-Grid® PCB Receptacles like 71850, [SL™](#) IDT Housing like 70450

Shrouded	No
Stackable	No
Temperature Range - Operating	-55°C to +105°C
Termination Interface: Style	Surface Mount

Electrical

Current - Maximum per Contact	3A
Voltage - Maximum	250V

Solder Process Data

Duration at Max. Process Temperature (seconds)	10
Lead-free Process Capability	Reflow Capable (SMT only)
Max. Cycles at Max. Process Temperature	3
Process Temperature max. C	260

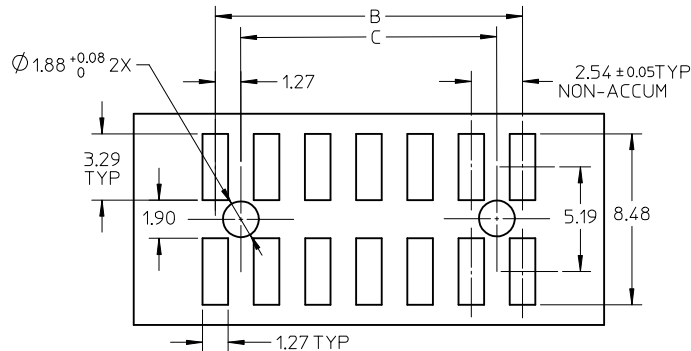
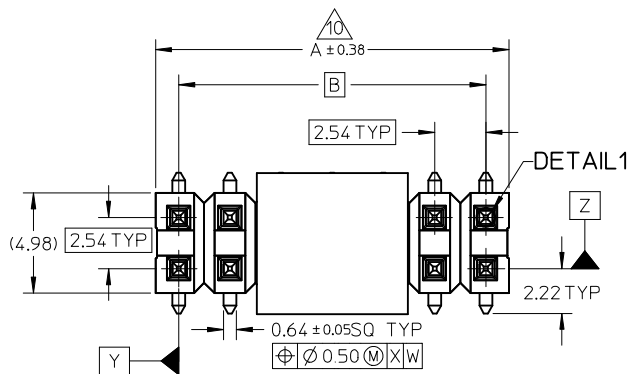
Material Info

Reference - Drawing Numbers

Packaging Specification	PK-89990-479
Product Specification	PS-87920-019
Sales Drawing	SD-87920-001

This document was generated on 05/26/2010

PLEASE CHECK WWW.MOLEX.COM FOR LATEST PART INFORMATION



RECOMMENDED PCB LAYOUT

NOTES:

1. MATERIAL:

HSG: LCP, GLASS-FILLED, UL94V-0, COLOR: BLACK
 CAP: NYLON, GLASS-FILLED, UL94V-0, COLOR: BLACK
 PIN: 0.64MM SQ, COPPER ALLOY

2. PLATING TYPE:

- (1) : 0.38µm MIN. GOLD PLATE ON CONTACT AND 2.00µm MIN. TIN ON SOLDER TAIL OVER 1.25µm MIN. NICKEL OVERALL.
- (2) : 0.75µm MIN. GOLD PLATE ON CONTACT AND 2.00µm MIN. TIN ON SOLDER TAIL OVER 1.25µm MIN. NICKEL OVERALL.
- (3) : 2.50µm MIN. TIN IN SELECTED AREA OVER 1.25µm MIN. NICKEL OVERALL.

3. PACKAGING TYPE: SEE TABLE

4. RECOMMENDED PCB THICKNESS 1.60±0.10mm

5. PRODUCT SPECIFICATION: PS-87920-019

6. WAFER TO BE FLAT WITHIN 0.003mm/mm

7. BEND DEPRESSION IS ACCEPTED SO LONG AS IT DOES NOT AFFECT THE OVERALL COPLANARITY OF TAIL.

8. COPLANARITY IS TO BE MEASURED BY RESTING THE SOLDER TAIL ON A FLAT SURFACE.

9. CAP LOCATION IS CENTERED ALONG THE MATING ENDS AS SHOWN. TOP SURFACE OF CAP TO BE FLAT FOR THE PURPOSE OF PICK & PLACE CAP BY VACUUM SUCTION NOZZLE.

10. IRREGULAR CIRCUIT CUTOFF WITHIN BREAKAWAY SECTION IS PREMISSIBLE. CUTTING OR CHIPPING OF THE MAIN BODY IS NOT ACCEPTABLE.

11. PARTS ARE NOT STACKABLE ON 2.54 CENTER.

12. COPLANARITY FOR SIZES UP TO 40 IS 0.15MM.

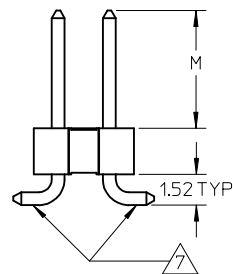
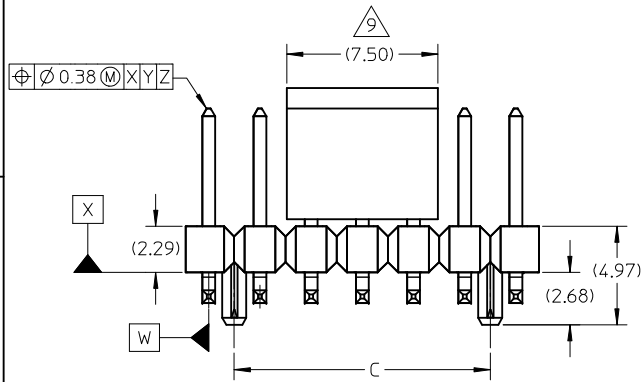
13. THE ABOVE CKT 14 IS FOR ILLUSTRATION PURPOSE ONLY.

14. TUBE LENGTH IS 560MM PER STANDARD.

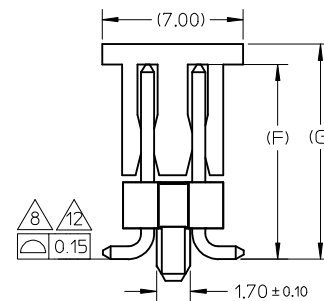
15. PACKAGING SPECIFICATION:

TUBE: PK-89990-478

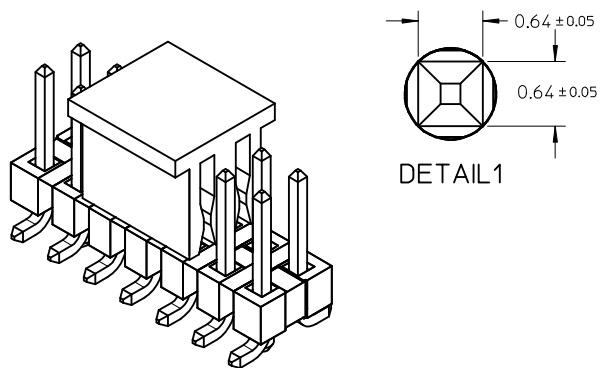
TAPE & REEL: PK-89990-479



PART WITHOUT PEG



PART WITH PEGS

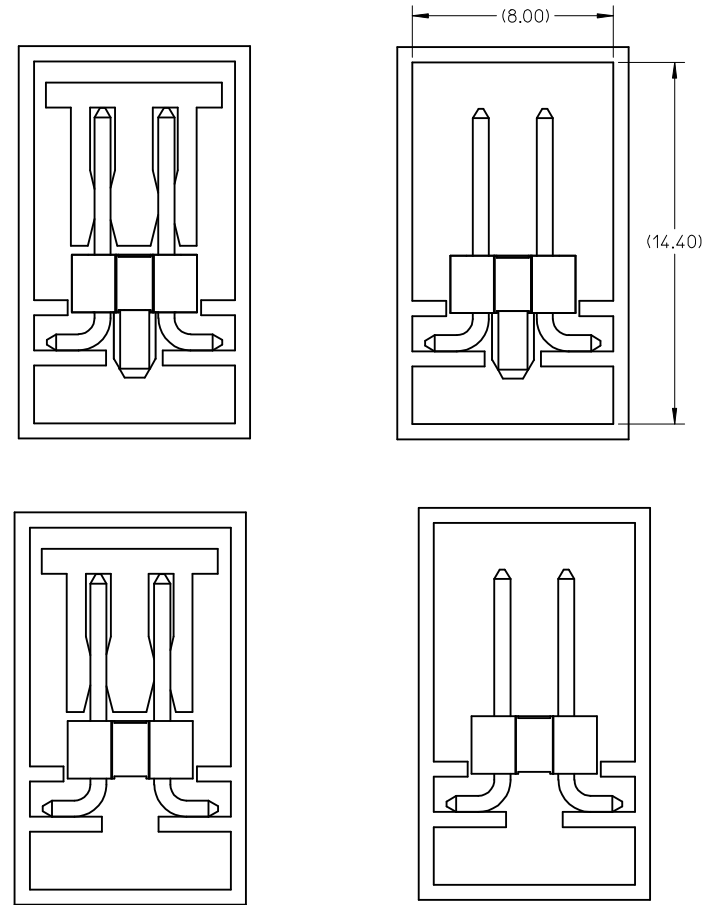
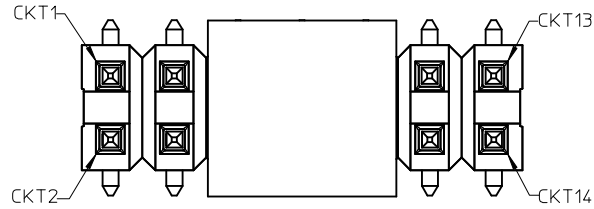


DETAIL 1

PDR#C200902903 ADD 879209803 EC NO: SZ009-0450 DRWN:ATSEE 2008/12/12 CHKD:SKANG 2008/12/12 APPR:MLONG 2008/12/16	QUALITY SYMBOLS	GENERAL TOLERANCES (UNLESS SPECIFIED)		DIMENSION STYLE MM ONLY		SCALE NTS	DESIGN UNITS METRIC	THIRD ANGLE PROJECTION	
	▽=0 ∇=0	mm	INCH	DRAWN BY SKLIM01	DATE 2006/05/25	TITLE CUSTOM HEADER			
		4 PLACES ± --- ± ---	3 PLACES ± --- ± ---	CHECKED BY PATEY	DATE 2006/07/05	C-GRID HDR, SMT W/CAP WITH/WITHOUT LOC. PEGS			
		2 PLACES ± 0.2 ± ---	1 PLACE ± --- ± ---	APPROVED BY PATEY	DATE 2006/07/05	MOLEX INCORPORATED			
	ANGULAR ± 3 °	DRAFT WHERE APPLICABLE MUST REMAIN WITHIN DIMENSIONS		MATERIAL NO. SEE TABLE		DOCUMENT NO. SD-87920-001	SHEET NO. 1 OF 14		
C1	REV	THIS DRAWING CONTAINS INFORMATION THAT IS PROPRIETARY TO MOLEX INCORPORATED AND SHOULD NOT BE USED WITHOUT WRITTEN PERMISSION							

ORIENTATION OF PART IN TUBE

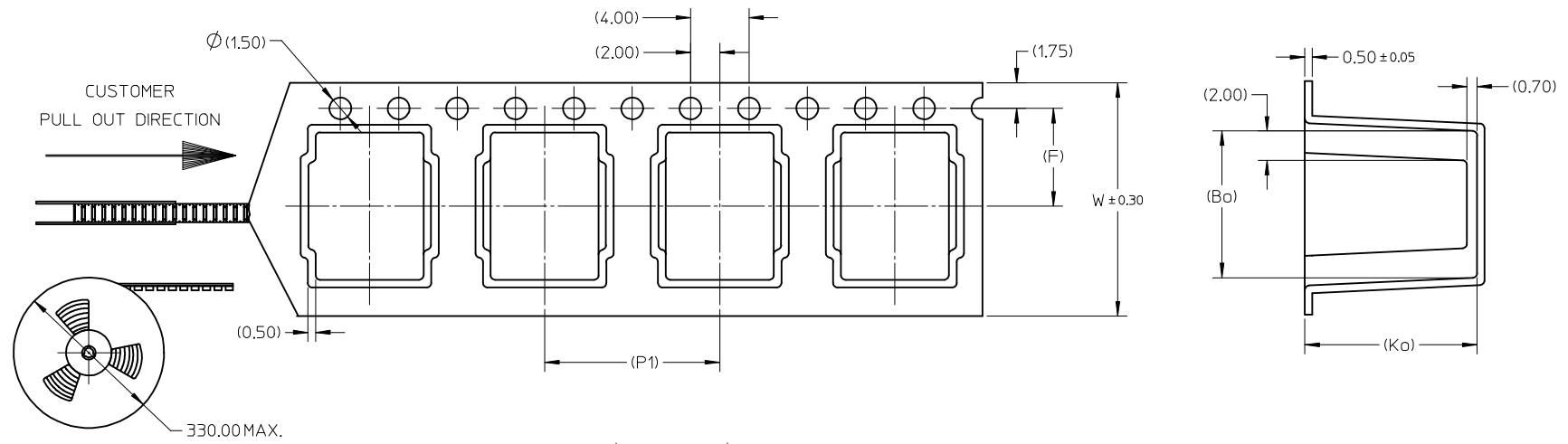
CIRCUITS POSITION CONFIGURATION



PDR: C200902903 ADD 879209803 EC NO: SZ009-0450 DRWN: ATSEE 2008/12/12 CHKD: SKANG 2008/12/12 APPR: MLONG 2008/12/16	QUALITY SYMBOLS	GENERAL TOLERANCES (UNLESS SPECIFIED)		DIMENSION STYLE MM ONLY		SCALE NTS	DESIGN UNITS METRIC	THIRD ANGLE PROJECTION
	▼ = 0 □ = 0	mm	INCH	DRAWN BY SKLIM01	DATE 2006/05/25	TITLE CUSTOM HEADER		
		4 PLACES ± --- ± ---	3 PLACES ± --- ± ---	CHECKED BY PATEY	DATE 2006/07/05	C-GRID HDR, SMT W/CAP WITH/WITHOUT LOC. PEGS		
		2 PLACES ± 0.2 ± ---	1 PLACE ± --- ± ---	APPROVED BY PATEY	DATE 2006/07/05	MOLEX INCORPORATED		
		ANGULAR ± 3 °		MATERIAL NO.	DOCUMENT NO.	SHEET NO.		
		DRAFT WHERE APPLICABLE MUST REMAIN WITHIN DIMENSIONS		SEE TABLE	SD-87920-001		2 OF 14	
		THIS DRAWING CONTAINS INFORMATION THAT IS PROPRIETARY TO MOLEX INCORPORATED AND SHOULD NOT BE USED WITHOUT WRITTEN PERMISSION						

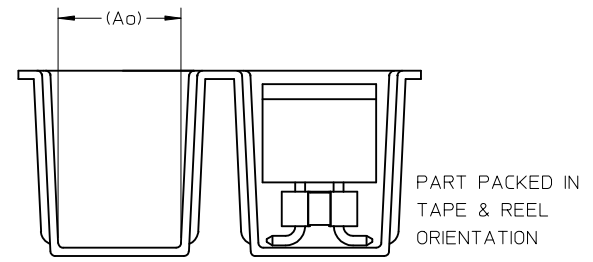
CKT	Ao	Bo	F	Ko	P1	W
04	7.40	5.40	7.50	10.80	12.00	16.00

THIS TYPE OF CARRIER TAPE IS FOR CKT SIZE 04 ONLY



NOTES:

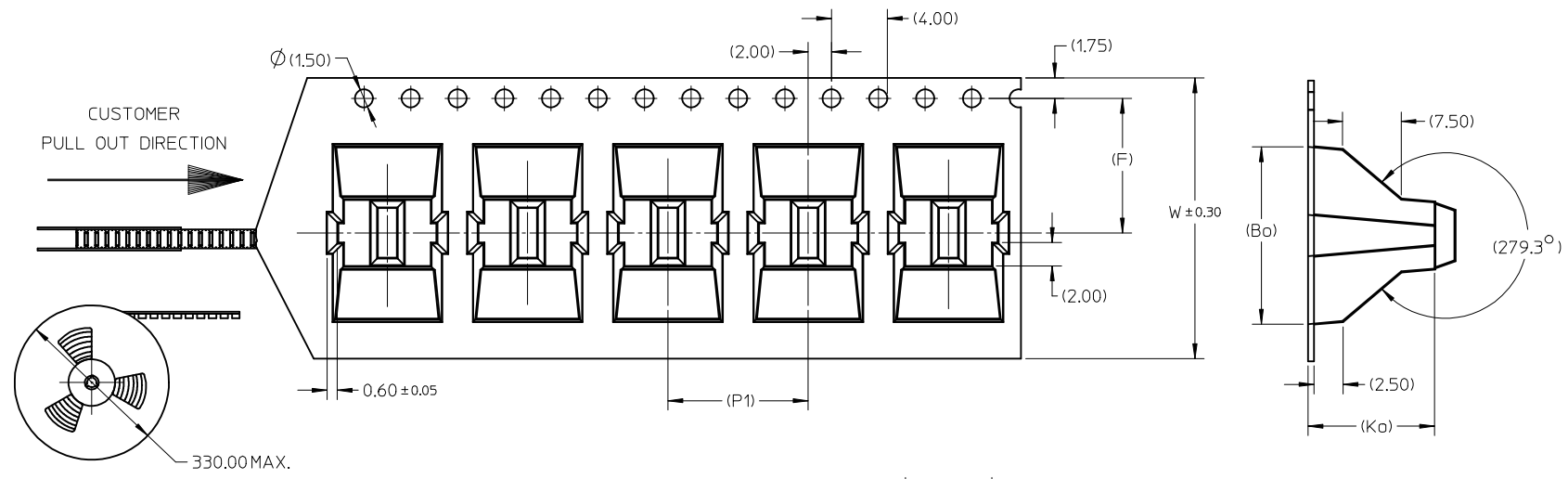
- LEADER AND TRAILER TAPE
- PEELING OFF FORCE OF THE TOP TAPE: 20-80gf.
 (PEELING DIRECTION AS SHOWN IN FOLLOWING FIGURE)
- PACKAGING STANDARD IS AS PER EIA-481.
- TAPE & REEL QUANTITY = 500PCS/REEL
- THE TAPE IS TREATED FOR ANTI-STATIC.



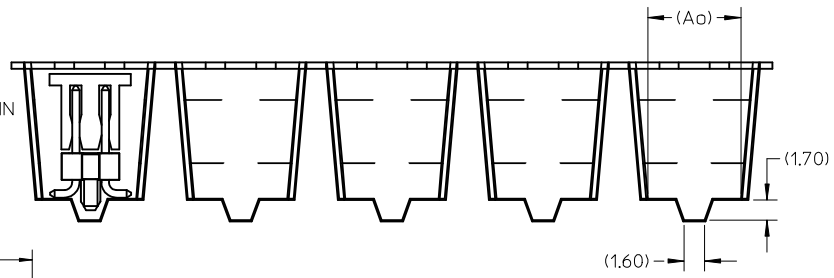
PDR#C200902903 ADD 879209803 EC NO: S2009-0450 DRWN:ATSEE 2008/12/12 CHKD:SKANG 2008/12/12 APPR:MLONG 2008/12/16	QUALITY SYMBOLS	GENERAL TOLERANCES (UNLESS SPECIFIED)		DIMENSION STYLE		SCALE	DESIGN UNITS	THIRD ANGLE PROJECTION		
	$\nabla=0$ $\square=0$	mm	INCH	MM ONLY		NTS	METRIC			
		4 PLACES	± ---	± ---	DRAWN BY	DATE	TITLE			
		3 PLACES	± ---	± ---	SKLIM01	2006/05/25	CUSTOM HEADER			
	2 PLACES	± 0.2	± ---	CHECKED BY	DATE	C-GRID HDR, SMT W/CAP				
	1 PLACE	± ---	± ---	PATEY	2006/07/05	WITH/WITHOUT LOC. PEGS				
		ANGULAR ± 3 °		APPROVED BY	DATE	MOLEX INCORPORATED				
		DRAFT WHERE APPLICABLE MUST REMAIN WITHIN DIMENSIONS		PATEY	2006/07/05	MATERIAL NO.		DOCUMENT NO.		
				SEE TABLE		SD-87920-001		SHEET NO.		
				A3		THIS DRAWING CONTAINS INFORMATION THAT IS PROPRIETARY TO MOLEX INCORPORATED AND SHOULD NOT BE USED WITHOUT WRITTEN PERMISSION				

CKT	Ao	Bo	F	Ko	P1	W
06	7.40	8.17	11.50	10.80	12.00	24.00

THIS TYPE OF CARRIER TAPE IS FOR CKT SIZE 06 ONLY



PART PACKED IN TAPE & REEL ORIENTATION



NOTES:

- LEADER AND TRAILER TAPE
- PEELING OFF FORCE OF THE TOP TAPE: 20-80gf. (PEELING DIRECTION AS SHOWN IN FOLLOWING FIGURE)
- PACKAGING STANDARD IS AS PER EIA-481.
- TAPE & REEL QUANTITY = 440PCS/REEL
- THE TAPE IS TREATED FOR ANTI-STATIC.

PDR#C200902903 ADD 879209803 EC NO: S2009-0450 DRWINATSEE 2008/12/12 CHYKDSKANG 2008/12/12 APPR:MLONG 2008/12/16	QUALITY SYMBOLS	GENERAL TOLERANCES (UNLESS SPECIFIED)	DIMENSION STYLE	SCALE	DESIGN UNITS	THIRD ANGLE PROJECTION														
	$\blacktriangledown=0$ $\triangleleft=0$	<table border="1"> <tr> <td></td> <td>mm</td> <td>INCH</td> </tr> <tr> <td>4 PLACES</td> <td>± ---</td> <td>± ---</td> </tr> <tr> <td>3 PLACES</td> <td>± ---</td> <td>± ---</td> </tr> <tr> <td>2 PLACES</td> <td>± 0.2</td> <td>± ---</td> </tr> <tr> <td>1 PLACE</td> <td>± ---</td> <td>± ---</td> </tr> </table>		mm	INCH	4 PLACES	± ---	± ---	3 PLACES	± ---	± ---	2 PLACES	± 0.2	± ---	1 PLACE	± ---	± ---	MM ONLY	NTS	METRIC
	mm	INCH																		
4 PLACES	± ---	± ---																		
3 PLACES	± ---	± ---																		
2 PLACES	± 0.2	± ---																		
1 PLACE	± ---	± ---																		

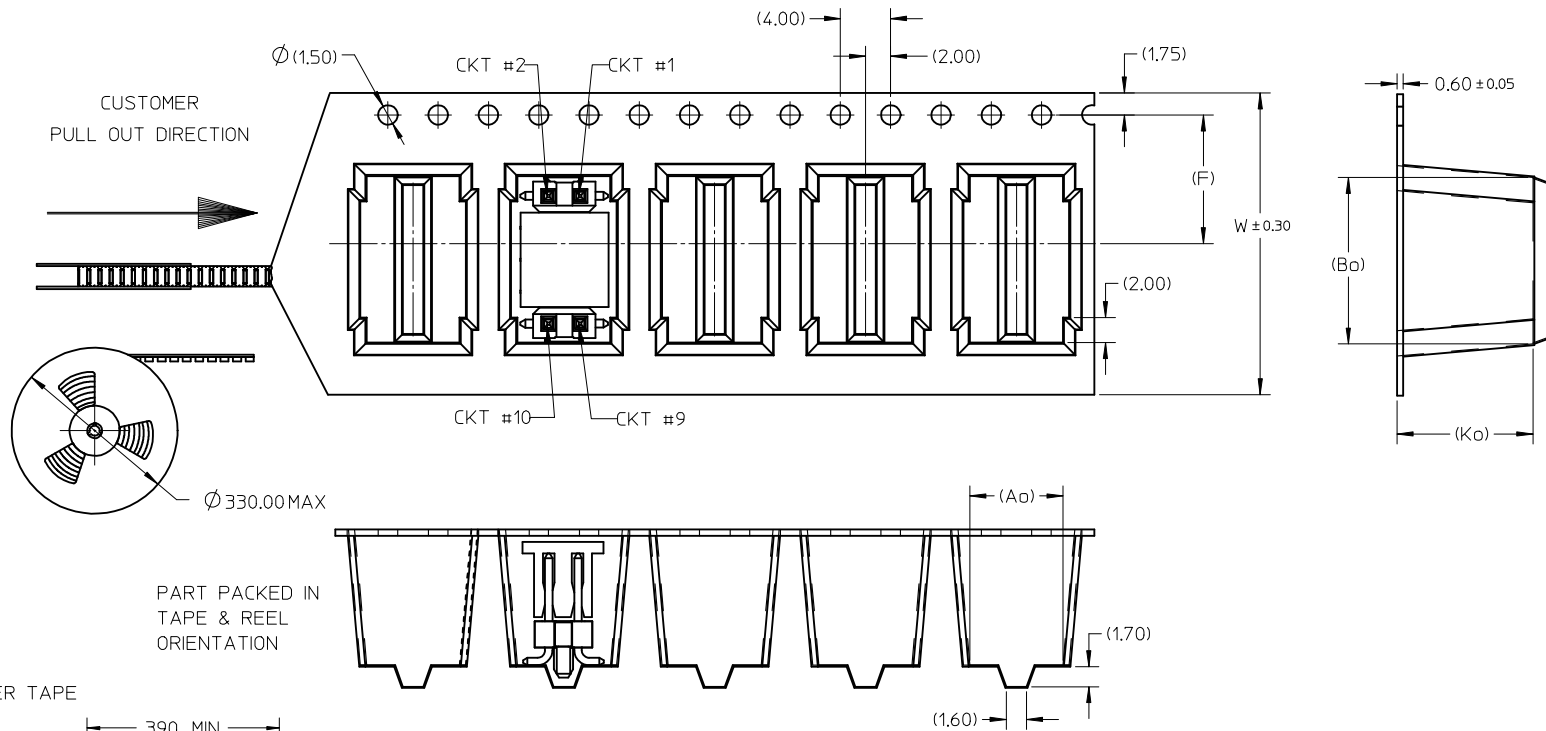
DRAWN BY SKLIM01	DATE	2006/05/25
	CHECKED BY	PATEY
APPROVED BY	DATE	2006/07/05
PATEY	2006/07/05	
MATERIAL NO.		
SEE TABLE		
DRAFT WHERE APPLICABLE MUST REMAIN WITHIN DIMENSIONS		

TITLE	
CUSTOM HEADER C-GRID HDR, SMT W/CAP WITH/WITHOUT LOC. PEGS	
MOLEX INCORPORATED	
MATERIAL NO.	DOCUMENT NO.
SEE TABLE	SD-87920-001
SIZE	SHEET NO.
A3	4 OF 14

THIS DRAWING CONTAINS INFORMATION THAT IS PROPRIETARY TO MOLEX INCORPORATED AND SHOULD NOT BE USED WITHOUT WRITTEN PERMISSION	
---	--

CKT	Ao	Bo	F	Ko	P1	W
08	7.40	10.70	11.50	10.80	12.00	24.00
10	7.40	13.25	11.50	10.80	12.00	24.00

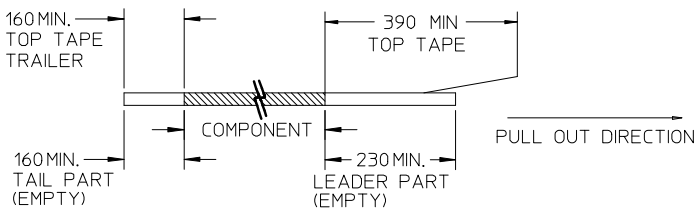
THIS TYPE OF CARRIER TAPE IS FOR CKT SIZE 08 AND 10



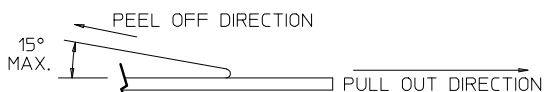
PART PACKED IN TAPE & REEL ORIENTATION

NOTES:

1. LEADER AND TRAILER TAPE



2. PEELING OFF FORCE OF THE TOP TAPE: 20-80gf. (PEELING DIRECTION AS SHOWN IN FOLLOWING FIGURE)



- 3. PACKAGING STANDARD IS AS PER EIA-481.
- 4. TAPE & REEL QUANTITY = 440PCS/REEL
- 5. THE TAPE IS TREATED FOR ANTI-STATIC.
- 6. FOR ILLUSTRATION PURPOSE, 10CKT IS SHOWN.

PDR#C200902903 ADD 879209803 EC NO: SZ009-0450 DRWN:ATSEE CHKD:SKANG APPR:MLONG	2008/12/12	2008/12/12	2008/12/16
	REV	DESCRIPTION	QUALITY SYMBOLS
C1		▽=0 C=0	

	GENERAL TOLERANCES (UNLESS SPECIFIED)	
	mm	INCH
4 PLACES	± ---	± ---
3 PLACES	± ---	± ---
2 PLACES	± 0.2	± ---
1 PLACE	± ---	± ---
ANGULAR ± 3 °		
DRAFT WHERE APPLICABLE MUST REMAIN WITHIN DIMENSIONS		

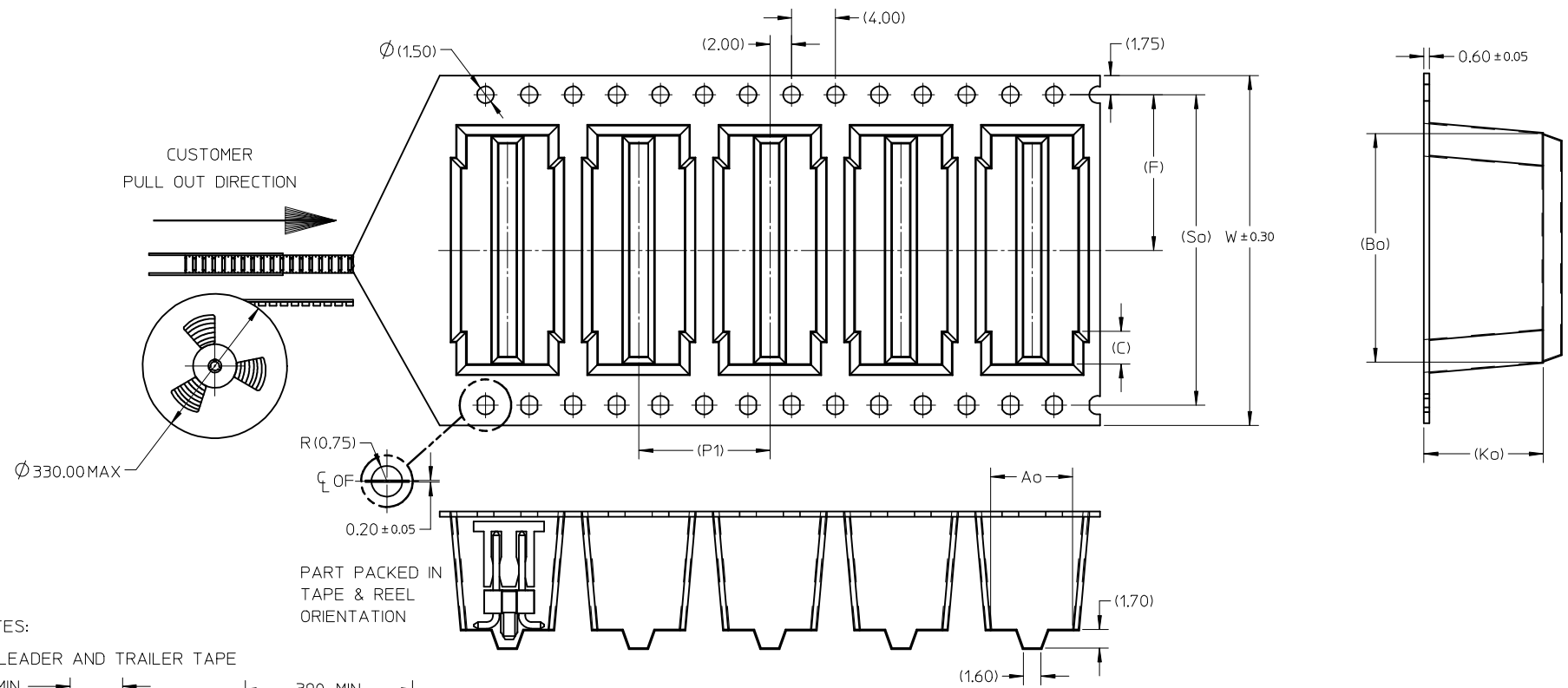
DIMENSION STYLE	
MM ONLY	
DRAWN BY	DATE
SKLIM01	2006/05/25
CHECKED BY	DATE
PATEY	2006/07/05
APPROVED BY	DATE
PATEY	2006/07/05
MATERIAL NO.	
SEE TABLE	
SIZE	A3

SCALE	DESIGN UNITS	THIRD ANGLE PROJECTION
NTS	METRIC	⊙
TITLE		
CUSTOM HEADER C-GRID HDR, SMT W/CAP WITH/WITHOUT LOC. PEGS		
MOLEX INCORPORATED		SHEET NO.
DOCUMENT NO. SD-87920-001		5 OF 14
THIS DRAWING CONTAINS INFORMATION THAT IS PROPRIETARY TO MOLEX INCORPORATED AND SHOULD NOT BE USED WITHOUT WRITTEN PERMISSION		

10 9 8 7 6 5 4 3 2 1

THIS TYPE OF CARRIER TAPE IS FOR CKT SIZE 14,16 AND 20

CKT	Ao	Bo	F	Ko	P1	So	W	C
14	7.40	18.33	14.20	10.80	12.00	28.40	32.00	3.00
16	7.40	20.90	14.20	10.80	12.00	28.40	32.00	3.00
20	7.40	25.95	20.20	10.80	12.00	40.40	44.00	5.00



NOTES:

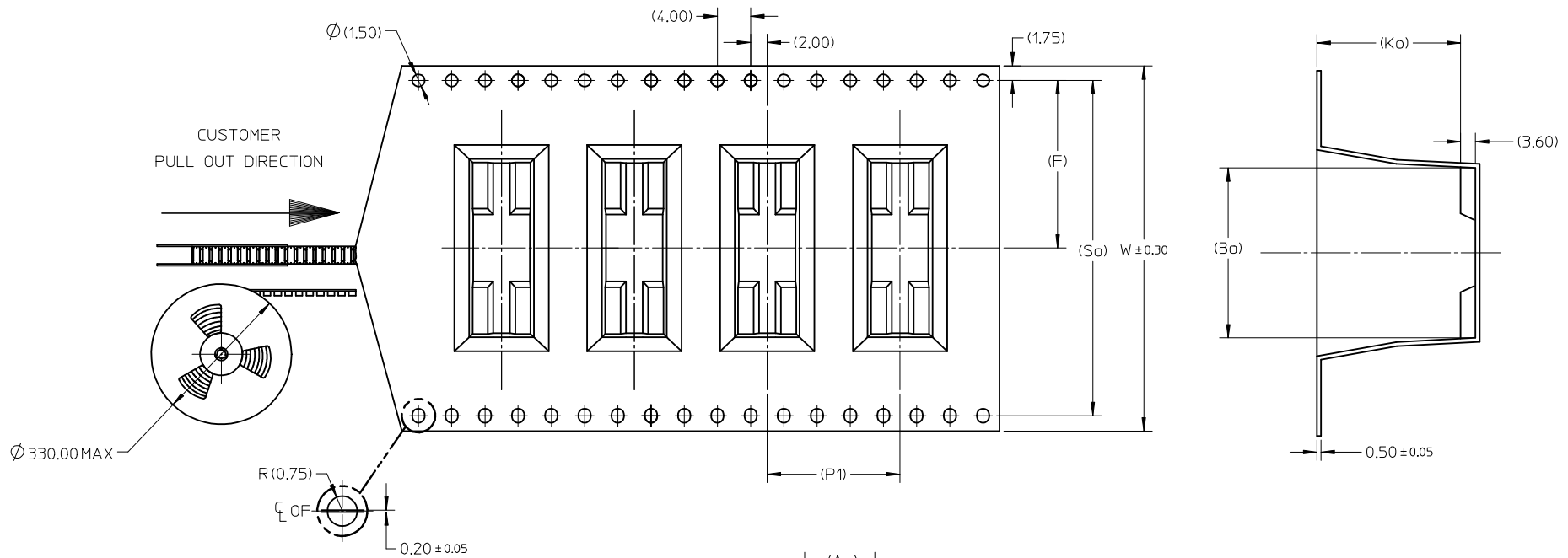
- LEADER AND TRAILER TAPE
- PEELING OFF FORCE OF THE TOP TAPE: 20-80gf.
 (PEELING DIRECTION AS SHOWN IN FOLLOWING FIGURE)
- PACKAGING STANDARD IS AS PER EIA-481.
- TAPE & REEL QUANTITY = 440PCS/REEL
- THE TAPE IS TREATED FOR ANTI-STATIC.

PDR#C200902903 ADD EC NO: S2009-0450 DRW: NAI SEE CHKD: SKANG APPR: MLONG 2008/12/12 2008/12/12 2008/12/16	QUALITY SYMBOLS	GENERAL TOLERANCES (UNLESS SPECIFIED)	DIMENSION STYLE	SCALE	DESIGN UNITS	THIRD ANGLE PROJECTION																
	$\nabla=0$ $\nabla=0$	<table border="1"> <thead> <tr> <th></th> <th>mm</th> <th>INCH</th> </tr> </thead> <tbody> <tr> <td>4 PLACES</td> <td>± ---</td> <td>± ---</td> </tr> <tr> <td>3 PLACES</td> <td>± ---</td> <td>± ---</td> </tr> <tr> <td>2 PLACES</td> <td>± 0.2</td> <td>± ---</td> </tr> <tr> <td>1 PLACE</td> <td>± ---</td> <td>± ---</td> </tr> </tbody> </table>		mm	INCH	4 PLACES	± ---	± ---	3 PLACES	± ---	± ---	2 PLACES	± 0.2	± ---	1 PLACE	± ---	± ---	MM ONLY	NTS	METRIC		
		mm	INCH																			
	4 PLACES	± ---	± ---																			
3 PLACES	± ---	± ---																				
2 PLACES	± 0.2	± ---																				
1 PLACE	± ---	± ---																				
DESCRIPTION	<table border="1"> <thead> <tr> <th>DRAWN BY</th> <th>DATE</th> <th>TITLE</th> </tr> </thead> <tbody> <tr> <td>SKLIM01</td> <td>2006/05/25</td> <td>CUSTOM HEADER C-GRID HDR, SMT W/CAP WITH/WITHOUT LOC. PEGS</td> </tr> <tr> <th>CHECKED BY</th> <th>DATE</th> <th></th> </tr> <tr> <td>PATEY</td> <td>2006/07/05</td> <td></td> </tr> <tr> <th>APPROVED BY</th> <th>DATE</th> <th></th> </tr> <tr> <td>PATEY</td> <td>2006/07/05</td> <td></td> </tr> </tbody> </table>	DRAWN BY	DATE	TITLE	SKLIM01	2006/05/25	CUSTOM HEADER C-GRID HDR, SMT W/CAP WITH/WITHOUT LOC. PEGS	CHECKED BY	DATE		PATEY	2006/07/05		APPROVED BY	DATE		PATEY	2006/07/05		MOLEX INCORPORATED		
DRAWN BY	DATE	TITLE																				
SKLIM01	2006/05/25	CUSTOM HEADER C-GRID HDR, SMT W/CAP WITH/WITHOUT LOC. PEGS																				
CHECKED BY	DATE																					
PATEY	2006/07/05																					
APPROVED BY	DATE																					
PATEY	2006/07/05																					
REV	<table border="1"> <thead> <tr> <th>SIZE</th> <th>THIS DRAWING CONTAINS INFORMATION THAT IS PROPRIETARY TO MOLEX INCORPORATED AND SHOULD NOT BE USED WITHOUT WRITTEN PERMISSION</th> </tr> </thead> <tbody> <tr> <td>A3</td> <td></td> </tr> </tbody> </table>	SIZE	THIS DRAWING CONTAINS INFORMATION THAT IS PROPRIETARY TO MOLEX INCORPORATED AND SHOULD NOT BE USED WITHOUT WRITTEN PERMISSION	A3		<table border="1"> <thead> <tr> <th>MATERIAL NO.</th> <th>DOCUMENT NO.</th> <th>SHEET NO.</th> </tr> </thead> <tbody> <tr> <td>SEE TABLE</td> <td>SD-87920-001</td> <td>6 OF 14</td> </tr> </tbody> </table>	MATERIAL NO.	DOCUMENT NO.	SHEET NO.	SEE TABLE	SD-87920-001	6 OF 14										
SIZE	THIS DRAWING CONTAINS INFORMATION THAT IS PROPRIETARY TO MOLEX INCORPORATED AND SHOULD NOT BE USED WITHOUT WRITTEN PERMISSION																					
A3																						
MATERIAL NO.	DOCUMENT NO.	SHEET NO.																				
SEE TABLE	SD-87920-001	6 OF 14																				

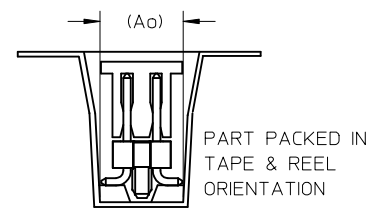
9 8 7 6 5 4 3 2 1

CKT	Ao	Bo	F	Ko	P1	So	W
40	7.60	51.60	34.20	11.30	16.00	68.50	72.00

THIS TYPE OF CARRIER TAPE IS FOR CKT SIZE 40 ONLY



- NOTES:
- LEADER AND TRAILER TAPE
 - PEELING OFF FORCE OF THE TOP TAPE: 20-80gf. (PEELING DIRECTION AS SHOWN IN FOLLOWING FIGURE)
 - PACKAGING STANDARD IS AS PER EIA-481.
 - TAPE & REEL QUANTITY = 250PCS/REEL
 - THE TAPE IS TREATED FOR ANTI-STATIC.



PDR#C200902903 ADD 879209803 EC NO: S2009-0450 DRWINATSEE 2008/12/12 CHYKDSKANG 2008/12/12 APPR:MLONG 2008/12/16	QUALITY SYMBOLS	GENERAL TOLERANCES (UNLESS SPECIFIED)	DIMENSION STYLE	SCALE	DESIGN UNITS	THIRD ANGLE PROJECTION
	▽=0 ∇=0	mm INCH 4 PLACES ± --- ± --- 3 PLACES ± --- ± --- 2 PLACES ± 0.2 ± --- 1 PLACE ± --- ± --- ANGULAR ± 3 °	MM ONLY	NTS	METRIC	
	DESCRIPTION	DRAWN BY	DATE	TITLE	CUSTOM HEADER C-GRID HDR, SMT W/CAP WITH/WITHOUT LOC. PEGS	
	REV	PATEY	2006/07/05	MOLEX INCORPORATED	SD-87920-001	
	DRAFT WHERE APPLICABLE MUST REMAIN WITHIN DIMENSIONS	APPROVED BY	DATE	MATERIAL NO.	DOCUMENT NO.	SHEET NO.
		PATEY	2006/07/05	SEE TABLE		7 OF 14
		SIZE	THIS DRAWING CONTAINS INFORMATION THAT IS PROPRIETARY TO MOLEX INCORPORATED AND SHOULD NOT BE USED WITHOUT WRITTEN PERMISSION			
		A3				

PART NUMBER IN PACKAGING OPTION	TAPE & REEL WITH CAP	TRAY W/O CAP	CKT SIZE	PEG	PLATE OPT.	DIMENSION					
						A	B	C	M	F	G
87920-0401	87920-0411	4	N	1	5.08	2.54	----	5.84	9.65	10.66	
87920-0402	87920-0412	4	N	2	5.08	2.54	----	5.84	9.65	10.66	
87920-0403	87920-0413	4	N	3	5.08	2.54	----	5.84	9.65	10.66	
87920-0431	87920-0441	4	N	1	5.08	2.54	----	3.05	6.86	10.31	
87920-0432	87920-0442	4	N	2	5.08	2.54	----	3.05	6.86	10.31	
87920-0433	87920-0443	4	N	3	5.08	2.54	----	3.05	6.86	10.31	
87920-0601	87920-0611	6	N	1	7.62	5.08	----	5.84	9.65	10.66	
87920-0602	87920-0612	6	N	2	7.62	5.08	----	5.84	9.65	10.66	
87920-0603	87920-0613	6	N	3	7.62	5.08	----	5.84	9.65	10.66	
87920-0631	87920-0641	6	N	1	7.62	5.08	----	3.05	6.86	10.31	
87920-0632	87920-0642	6	N	2	7.62	5.08	----	3.05	6.86	10.31	
87920-0633	87920-0643	6	N	3	7.62	5.08	----	3.05	6.86	10.31	


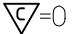
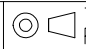
PDR#C200902903 ADD 879209803 EC NO: S2009-0450 DRWN:ATSEE 2008/12/12 CHKD:SKANG 2008/12/12 APPR:MLONG 2008/12/16	QUALITY SYMBOLS	GENERAL TOLERANCES (UNLESS SPECIFIED)	DIMENSION STYLE	SCALE	DESIGN UNITS	THIRD ANGLE PROJECTION
	=0 =0	mm INCH	MM ONLY	NTS	METRIC	
	DESCRIPTION	4 PLACES ± --- ± ---	DRAWN BY	DATE	TITLE	
	REV	3 PLACES ± --- ± ---	SKL IM01	2006/05/25	CUSTOM HEADER	
C1	2 PLACES ± 0.2 ± ---	CHECKED BY	DATE	C-GRID HDR, SMT W/CAP		
	1 PLACE ± --- ± ---	PATEY	2006/07/05	WITH/WITHOUT LOC. PEGS		
	ANGULAR ± 3 °	APPROVED BY	DATE	MOLEX INCORPORATED		
	DRAFT WHERE APPLICABLE MUST REMAIN WITHIN DIMENSIONS	PATEY	2006/07/05	MATERIAL NO.	DOCUMENT NO.	SHEET NO.
		SEE TABLE			SD-87920-001	8 OF 14
		SIZE	THIS DRAWING CONTAINS INFORMATION THAT IS PROPRIETARY TO MOLEX INCORPORATED AND SHOULD NOT BE USED WITHOUT WRITTEN PERMISSION			
		A3				

PART NUMBER IN PACKAGING OPTION			CKT SIZE	VOID	PEG	PLATE OPT.	DIMENSION					
TAPE & REEL WITH CAP	TUBE WITHOUT CAP	TUBE WITH CAP					A	B	C	M	F	G
87920-0801	87920-0811	87920-0821	8	----	N	1	10.16	7.62	----	5.84	9.65	10.66
87920-0802	87920-0812	87920-0822	8	----	N	2	10.16	7.62	----	5.84	9.65	10.66
87920-0803	87920-0813	87920-0823	8	----	N	3	10.16	7.62	----	5.84	9.65	10.66
87920-0804	87920-0814	87920-0824	8	----	Y	1	10.16	7.62	5.08	5.84	9.65	10.66
87920-0805	87920-0815	87920-0825	8	----	Y	2	10.16	7.62	5.08	5.84	9.65	10.66
87920-0806	87920-0816	87920-0826	8	----	Y	3	10.16	7.62	5.08	5.84	9.65	10.66
87920-9801	87920-9802	87920-9803	8	1, 6	N	1	10.16	7.62	----	5.84	9.65	10.66
87920-1001	87920-1011	87920-1021	10	----	N	1	12.70	10.16	----	5.84	9.65	10.66
87920-1002	87920-1012	87920-1022	10	----	N	2	12.70	10.16	----	5.84	9.65	10.66
87920-1003	87920-1013	87920-1023	10	----	N	3	12.70	10.16	----	5.84	9.65	10.66
87920-1004	87920-1014	87920-1024	10	----	Y	1	12.70	10.16	7.62	5.84	9.65	10.66
87920-1005	87920-1015	87920-1025	10	----	Y	2	12.70	10.16	7.62	5.84	9.65	10.66
87920-1006	87920-1016	87920-1026	10	----	Y	3	12.70	10.16	7.62	5.84	9.65	10.66
-----	87920-1211	87920-1221	12	----	N	1	15.24	12.70	----	5.84	9.65	10.66
-----	87920-1212	87920-1222	12	----	N	2	15.24	12.70	----	5.84	9.65	10.66
-----	87920-1213	87920-1223	12	----	N	3	15.24	12.70	----	5.84	9.65	10.66
-----	87920-1214	87920-1224	12	----	Y	1	15.24	12.70	10.16	5.84	9.65	10.66
-----	87920-1215	87920-1225	12	----	Y	2	15.24	12.70	10.16	5.84	9.65	10.66
-----	87920-1216	87920-1226	12	----	Y	3	15.24	12.70	10.16	5.84	9.65	10.66

PART NUMBER IN PACKAGING OPTION			CKT SIZE	PEG	PLATE OPT.	DIMENSION					
TAPE & REEL WITH CAP	TUBE WITHOUT CAP	TUBE WITH CAP				A	B	C	M	F	G
87920-0831	87920-0841	87920-0851	8	N	1	10.16	7.62	----	3.05	6.86	10.31
87920-0832	87920-0842	87920-0852	8	N	2	10.16	7.62	----	3.05	6.86	10.31
87920-0833	87920-0843	87920-0853	8	N	3	10.16	7.62	----	3.05	6.86	10.31
87920-0834	87920-0844	87920-0854	8	Y	1	10.16	7.62	5.08	3.05	6.86	10.31
87920-0835	87920-0845	87920-0855	8	Y	2	10.16	7.62	5.08	3.05	6.86	10.31
87920-0836	87920-0846	87920-0856	8	Y	3	10.16	7.62	5.08	3.05	6.86	10.31
87920-1031	87920-1041	87920-1051	10	N	1	12.70	10.16	----	3.05	6.86	10.31
87920-1032	87920-1042	87920-1052	10	N	2	12.70	10.16	----	3.05	6.86	10.31
87920-1033	87920-1043	87920-1053	10	N	3	12.70	10.16	----	3.05	6.86	10.31
87920-1034	87920-1044	87920-1054	10	Y	1	12.70	10.16	7.62	3.05	6.86	10.31
87920-1035	87920-1045	87920-1055	10	Y	2	12.70	10.16	7.62	3.05	6.86	10.31
87920-1036	87920-1046	87920-1056	10	Y	3	12.70	10.16	7.62	3.05	6.86	10.31
-----	87920-1241	87920-1251	12	N	1	15.24	12.70	----	3.05	6.86	10.31
-----	87920-1242	87920-1252	12	N	2	15.24	12.70	----	3.05	6.86	10.31
-----	87920-1243	87920-1253	12	N	3	15.24	12.70	----	3.05	6.86	10.31
-----	87920-1244	87920-1254	12	Y	1	15.24	12.70	10.16	3.05	6.86	10.31
-----	87920-1245	87920-1255	12	Y	2	15.24	12.70	10.16	3.05	6.86	10.31
-----	87920-1246	87920-1256	12	Y	3	15.24	12.70	10.16	3.05	6.86	10.31

QUALITY SYMBOLS 	GENERAL TOLERANCES (UNLESS SPECIFIED) <table border="1"> <tr><th colspan="2">mm</th><th>INCH</th></tr> <tr><td>4 PLACES</td><td>± ---</td><td>± ---</td></tr> <tr><td>3 PLACES</td><td>± ---</td><td>± ---</td></tr> <tr><td>2 PLACES</td><td>± 0.2</td><td>± ---</td></tr> <tr><td>1 PLACE</td><td>± ---</td><td>± ---</td></tr> </table>	mm		INCH	4 PLACES	± ---	± ---	3 PLACES	± ---	± ---	2 PLACES	± 0.2	± ---	1 PLACE	± ---	± ---	DIMENSION STYLE MM ONLY	SCALE NTS	DESIGN UNITS METRIC	THIRD ANGLE PROJECTION
	mm		INCH																	
	4 PLACES	± ---	± ---																	
	3 PLACES	± ---	± ---																	
2 PLACES	± 0.2	± ---																		
1 PLACE	± ---	± ---																		
DESCRIPTION PDR#C200902903 ADD EC NO: S2009-0450 DRW:NAT SEE 2008/12/12 CHKD:SKANG 2008/12/12 APPR:MLONG 2008/12/16	DRAWN BY SKL IM01 DATE 2006/05/25 CHECKED BY PATEY DATE 2006/07/05 APPROVED BY PATEY DATE 2006/07/05	TITLE CUSTOM HEADER C-GRID HDR, SMT W/CAP WITH/WITHOUT LOC. PEGS	DOCUMENT NO. SD-87920-001 SHEET NO. 9 OF 14																	
DRAFT WHERE APPLICABLE MUST REMAIN WITHIN DIMENSIONS	SEE TABLE	MOLEX INCORPORATED																		
SIZE A3 THIS DRAWING CONTAINS INFORMATION THAT IS PROPRIETARY TO MOLEX INCORPORATED AND SHOULD NOT BE USED WITHOUT WRITTEN PERMISSION																				

PART NUMBER IN PACKAGING OPTION			CKT SIZE	PEG	PLATE OPT.	DIMENSION						PART NUMBER IN PACKAGING OPTION			CKT SIZE	PEG	PLATE OPT.	DIMENSION					
TAPE & REEL WITH CAP	TUBE WITHOUT CAP	TUBE WITH CAP				A	B	C	M	F	G	TAPE & REEL WITH CAP	TUBE WITHOUT CAP	TUBE WITH CAP				A	B	C	M	F	G
87920-1401	87920-1411	87920-1421	14	N	1	17.78	15.24	----	5.84	9.65	10.66	87920-1431	87920-1441	87920-1451	14	N	1	17.78	15.24	----	3.05	6.86	10.31
87920-1402	87920-1412	87920-1422	14	N	2	17.78	15.24	----	5.84	9.65	10.66	87920-1432	87920-1442	87920-1452	14	N	2	17.78	15.24	----	3.05	6.86	10.31
87920-1403	87920-1413	87920-1423	14	N	3	17.78	15.24	----	5.84	9.65	10.66	87920-1433	87920-1443	87920-1453	14	N	3	17.78	15.24	----	3.05	6.86	10.31
87920-1404	87920-1414	87920-1424	14	Y	1	17.78	15.24	12.70	5.84	9.65	10.66	87920-1434	87920-1444	87920-1454	14	Y	1	17.78	15.24	12.70	3.05	6.86	10.31
87920-1405	87920-1415	87920-1425	14	Y	2	17.78	15.24	12.70	5.84	9.65	10.66	87920-1435	87920-1445	87920-1455	14	Y	2	17.78	15.24	12.70	3.05	6.86	10.31
87920-1406	87920-1416	87920-1426	14	Y	3	17.78	15.24	12.70	5.84	9.65	10.66	87920-1436	87920-1446	87920-1456	14	Y	3	17.78	15.24	12.70	3.05	6.86	10.31
87920-1601	87920-1611	87920-1621	16	N	1	20.32	17.78	----	5.84	9.65	10.66	87920-1631	87920-1641	87920-1651	16	N	1	20.32	17.78	----	3.05	6.86	10.31
87920-1602	87920-1612	87920-1622	16	N	2	20.32	17.78	----	5.84	9.65	10.66	87920-1632	87920-1642	87920-1652	16	N	2	20.32	17.78	----	3.05	6.86	10.31
87920-1603	87920-1613	87920-1623	16	N	3	20.32	17.78	----	5.84	9.65	10.66	87920-1633	87920-1643	87920-1653	16	N	3	20.32	17.78	----	3.05	6.86	10.31
87920-1604	87920-1614	87920-1624	16	Y	1	20.32	17.78	15.24	5.84	9.65	10.66	87920-1634	87920-1644	87920-1654	16	Y	1	20.32	17.78	15.24	3.05	6.86	10.31
87920-1605	87920-1615	87920-1625	16	Y	2	20.32	17.78	15.24	5.84	9.65	10.66	87920-1635	87920-1645	87920-1655	16	Y	2	20.32	17.78	15.24	3.05	6.86	10.31
87920-1606	87920-1616	87920-1626	16	Y	3	20.32	17.78	15.24	5.84	9.65	10.66	87920-1636	87920-1646	87920-1656	16	Y	3	20.32	17.78	15.24	3.05	6.86	10.31
-----	87920-1811	87920-1821	18	N	1	22.86	20.32	----	5.84	9.65	10.66	-----	87920-1841	87920-1851	18	N	1	22.86	20.32	----	3.05	6.86	10.31
-----	87920-1812	87920-1822	18	N	2	22.86	20.32	----	5.84	9.65	10.66	-----	87920-1842	87920-1852	18	N	2	22.86	20.32	----	3.05	6.86	10.31
-----	87920-1813	87920-1823	18	N	3	22.86	20.32	----	5.84	9.65	10.66	-----	87920-1843	87920-1853	18	N	3	22.86	20.32	----	3.05	6.86	10.31
-----	87920-1814	87920-1824	18	Y	1	22.86	20.32	17.78	5.84	9.65	10.66	-----	87920-1844	87920-1854	18	Y	1	22.86	20.32	17.78	3.05	6.86	10.31
-----	87920-1815	87920-1825	18	Y	2	22.86	20.32	17.78	5.84	9.65	10.66	-----	87920-1845	87920-1855	18	Y	2	22.86	20.32	17.78	3.05	6.86	10.31
-----	87920-1816	87920-1826	18	Y	3	22.86	20.32	17.78	5.84	9.65	10.66	-----	87920-1846	87920-1856	18	Y	3	22.86	20.32	17.78	3.05	6.86	10.31

PDR#C200902903 ADD 879209803 EC NO: S2009-0450 DRW:NAT SEE 2008/12/12 CHKD:SKANG 2008/12/12 APPR:MLONG 2008/12/16	QUALITY SYMBOLS	GENERAL TOLERANCES (UNLESS SPECIFIED)	DIMENSION STYLE	SCALE	DESIGN UNITS	THIRD ANGLE PROJECTION
	 = 0  = 0	mm INCH 4 PLACES ± --- ± --- 3 PLACES ± --- ± --- 2 PLACES ± 0.2 ± --- 1 PLACE ± --- ± --- ANGULAR ± 3 °	MM ONLY	NTS	METRIC	
	DESCRIPTION	DRAFT WHERE APPLICABLE MUST REMAIN WITHIN DIMENSIONS	DRAWN BY: SKLIM01 DATE: 2006/05/25 CHECKED BY: PATEY DATE: 2006/07/05 APPROVED BY: PATEY DATE: 2006/07/05	TITLE	CUSTOM HEADER	
	REV	C1	SEE TABLE	MATERIAL NO. DOCUMENT NO. SD-87920-001	MOLEX INCORPORATED SHEET NO. 10 OF 14	


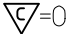
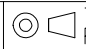
PART NUMBER IN PACKAGING OPTION			CKT SIZE	PEG	PLATE OPT.	DIMENSION					
TAPE & REEL WITH CAP	TUBE WITHOUT CAP	TUBE WITH CAP				A	B	C	M	F	G
87920-2001	87920-2011	87920-2021	20	N	1	25.40	22.86	----	5.84	9.65	10.66
87920-2002	87920-2012	87920-2022	20	N	2	25.40	22.86	----	5.84	9.65	10.66
87920-2003	87920-2013	87920-2023	20	N	3	25.40	22.86	----	5.84	9.65	10.66
87920-2004	87920-2014	87920-2024	20	Y	1	25.40	22.86	20.32	5.84	9.65	10.66
87920-2005	87920-2015	87920-2025	20	Y	2	25.40	22.86	20.32	5.84	9.65	10.66
87920-2006	87920-2016	87920-2026	20	Y	3	25.40	22.86	20.32	5.84	9.65	10.66
-----	87920-2211	87920-2221	22	N	1	27.94	25.40	----	5.84	9.65	10.66
-----	87920-2212	87920-2222	22	N	2	27.94	25.40	----	5.84	9.65	10.66
-----	87920-2213	87920-2223	22	N	3	27.94	25.40	----	5.84	9.65	10.66
-----	87920-2214	87920-2224	22	Y	1	27.94	25.40	22.86	5.84	9.65	10.66
-----	87920-2215	87920-2225	22	Y	2	27.94	25.40	22.86	5.84	9.65	10.66
-----	87920-2216	87920-2226	22	Y	3	27.94	25.40	22.86	5.84	9.65	10.66
-----	87920-2411	87920-2421	24	N	1	30.48	27.94	----	5.84	9.65	10.66
-----	87920-2412	87920-2422	24	N	2	30.48	27.94	----	5.84	9.65	10.66
-----	87920-2413	87920-2423	24	N	3	30.48	27.94	----	5.84	9.65	10.66
-----	87920-2414	87920-2424	24	Y	1	30.48	27.94	25.40	5.84	9.65	10.66
-----	87920-2415	87920-2425	24	Y	2	30.48	27.94	25.40	5.84	9.65	10.66
-----	87920-2416	87920-2426	24	Y	3	30.48	27.94	25.40	5.84	9.65	10.66

PART NUMBER IN PACKAGING OPTION			CKT SIZE	PEG	PLATE OPT.	DIMENSION					
TAPE & REEL WITH CAP	TUBE WITHOUT CAP	TUBE WITH CAP				A	B	C	M	F	G
87920-2031	87920-2041	87920-2051	20	N	1	25.40	22.86	----	3.05	6.86	10.31
87920-2032	87920-2042	87920-2052	20	N	2	25.40	22.86	----	3.05	6.86	10.31
87920-2033	87920-2043	87920-2053	20	N	3	25.40	22.86	----	3.05	6.86	10.31
87920-2034	87920-2044	87920-2054	20	Y	1	25.40	22.86	20.32	3.05	6.86	10.31
87920-2035	87920-2045	87920-2055	20	Y	2	25.40	22.86	20.32	3.05	6.86	10.31
87920-2036	87920-2046	87920-2056	20	Y	3	25.40	22.86	20.32	3.05	6.86	10.31
-----	87920-2241	87920-2251	22	N	1	27.94	25.40	----	3.05	6.86	10.31
-----	87920-2242	87920-2252	22	N	2	27.94	25.40	----	3.05	6.86	10.31
-----	87920-2243	87920-2253	22	N	3	27.94	25.40	----	3.05	6.86	10.31
-----	87920-2244	87920-2254	22	Y	1	27.94	25.40	22.86	3.05	6.86	10.31
-----	87920-2245	87920-2255	22	Y	2	27.94	25.40	22.86	3.05	6.86	10.31
-----	87920-2246	87920-2256	22	Y	3	27.94	25.40	22.86	3.05	6.86	10.31
-----	87920-2441	87920-2451	24	N	1	30.48	27.94	----	3.05	6.86	10.31
-----	87920-2442	87920-2452	24	N	2	30.48	27.94	----	3.05	6.86	10.31
-----	87920-2443	87920-2453	24	N	3	30.48	27.94	----	3.05	6.86	10.31
-----	87920-2444	87920-2454	24	Y	1	30.48	27.94	25.40	3.05	6.86	10.31
-----	87920-2445	87920-2455	24	Y	2	30.48	27.94	25.40	3.05	6.86	10.31
-----	87920-2446	87920-2456	24	Y	3	30.48	27.94	25.40	3.05	6.86	10.31

PDR#C200902903 ADD 879209803 EC NO: S2009-0450 DRWINATSEE 2008/12/12 CHKD:SKANG 2008/12/12 APPR:MLONG 2008/12/16	QUALITY SYMBOLS	GENERAL TOLERANCES (UNLESS SPECIFIED)	DIMENSION STYLE	SCALE	DESIGN UNITS	THIRD ANGLE PROJECTION											
	 = 0.05  = 0.1	<table border="1"> <tr><td>4 PLACES</td><td>± ---</td><td>± ---</td></tr> <tr><td>3 PLACES</td><td>± ---</td><td>± ---</td></tr> <tr><td>2 PLACES</td><td>± 0.2</td><td>± ---</td></tr> <tr><td>1 PLACE</td><td>± ---</td><td>± ---</td></tr> </table>	4 PLACES	± ---	± ---	3 PLACES	± ---	± ---	2 PLACES	± 0.2	± ---	1 PLACE	± ---	± ---	MM ONLY	NTS	METRIC
4 PLACES	± ---	± ---															
3 PLACES	± ---	± ---															
2 PLACES	± 0.2	± ---															
1 PLACE	± ---	± ---															
REV	DESCRIPTION	ANGULAR ± 3 °	DRAWN BY	DATE	TITLE												
C1		DRAFT WHERE APPLICABLE MUST REMAIN WITHIN DIMENSIONS	SKLIM01	2006/05/25	CUSTOM HEADER C-GRID HDR, SMT W/CAP WITH/WITHOUT LOC. PEGS												
			CHECKED BY	DATE	MOLEX INCORPORATED												
			PATEY	2006/07/05													
			APPROVED BY	DATE													
			PATEY	2006/07/05													
			MATERIAL NO.	DOCUMENT NO.													
			SEE TABLE		SD-87920-001												
			SIZE	THIS DRAWING CONTAINS INFORMATION THAT IS PROPRIETARY TO MOLEX INCORPORATED AND SHOULD NOT BE USED WITHOUT WRITTEN PERMISSION													
			A3														


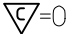
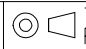
PART NUMBER IN PACKAGING OPTION		CKT SIZE	PEG	PLATE OPT.	DIMENSION						
TAPE & REEL WITH CAP	TUBE WITHOUT CAP				TUBE WITH CAP	A	B	C	M	F	G
-----	87920-2611	87920-2621	26	N	1	33.02	30.48	----	5.84	9.65	10.66
-----	87920-2612	87920-2622	26	N	2	33.02	30.48	----	5.84	9.65	10.66
-----	87920-2613	87920-2623	26	N	3	33.02	30.48	----	5.84	9.65	10.66
-----	87920-2614	87920-2624	26	Y	1	33.02	30.48	27.94	5.84	9.65	10.66
-----	87920-2615	87920-2625	26	Y	2	33.02	30.48	27.94	5.84	9.65	10.66
-----	87920-2616	87920-2626	26	Y	3	33.02	30.48	27.94	5.84	9.65	10.66
-----	87920-2811	87920-2821	28	N	1	35.56	33.02	----	5.84	9.65	10.66
-----	87920-2812	87920-2822	28	N	2	35.56	33.02	----	5.84	9.65	10.66
-----	87920-2813	87920-2823	28	N	3	35.56	33.02	----	5.84	9.65	10.66
-----	87920-2814	87920-2824	28	Y	1	35.56	33.02	30.48	5.84	9.65	10.66
-----	87920-2815	87920-2825	28	Y	2	35.56	33.02	30.48	5.84	9.65	10.66
-----	87920-2816	87920-2826	28	Y	3	35.56	33.02	30.48	5.84	9.65	10.66
-----	87920-3011	87920-3021	30	N	1	38.10	35.56	----	5.84	9.65	10.66
-----	87920-3012	87920-3022	30	N	2	38.10	35.56	----	5.84	9.65	10.66
-----	87920-3013	87920-3023	30	N	3	38.10	35.56	----	5.84	9.65	10.66
-----	87920-3014	87920-3024	30	Y	1	38.10	35.56	33.02	5.84	9.65	10.66
-----	87920-3015	87920-3025	30	Y	2	38.10	35.56	33.02	5.84	9.65	10.66
-----	87920-3016	87920-3026	30	Y	3	38.10	35.56	33.02	5.84	9.65	10.66

PART NUMBER IN PACKAGING OPTION			CKT SIZE	PEG	PLATE OPT.	DIMENSION					
TAPE & REEL WITH CAP	TUBE WITHOUT CAP	TUBE WITH CAP				A	B	C	M	F	G
-----	87920-2641	87920-2651	26	N	1	33.02	30.48	----	3.05	6.86	10.31
-----	87920-2642	87920-2652	26	N	2	33.02	30.48	----	3.05	6.86	10.31
-----	87920-2643	87920-2653	26	N	3	33.02	30.48	----	3.05	6.86	10.31
-----	87920-2644	87920-2654	26	Y	1	33.02	30.48	27.94	3.05	6.86	10.31
-----	87920-2645	87920-2655	26	Y	2	33.02	30.48	27.94	3.05	6.86	10.31
-----	87920-2646	87920-2656	26	Y	3	33.02	30.48	27.94	3.05	6.86	10.31
-----	87920-2841	87920-2851	28	N	1	35.56	33.02	----	3.05	6.86	10.31
-----	87920-2842	87920-2852	28	N	2	35.56	33.02	----	3.05	6.86	10.31
-----	87920-2843	87920-2853	28	N	3	35.56	33.02	----	3.05	6.86	10.31
-----	87920-2844	87920-2854	28	Y	1	35.56	33.02	30.48	3.05	6.86	10.31
-----	87920-2845	87920-2855	28	Y	2	35.56	33.02	30.48	3.05	6.86	10.31
-----	87920-2846	87920-2856	28	Y	3	35.56	33.02	30.48	3.05	6.86	10.31
-----	87920-3041	87920-3051	30	N	1	38.10	35.56	----	3.05	6.86	10.31
-----	87920-3042	87920-3052	30	N	2	38.10	35.56	----	3.05	6.86	10.31
-----	87920-3043	87920-3053	30	N	3	38.10	35.56	----	3.05	6.86	10.31
-----	87920-3044	87920-3054	30	Y	1	38.10	35.56	33.02	3.05	6.86	10.31
-----	87920-3045	87920-3055	30	Y	2	38.10	35.56	33.02	3.05	6.86	10.31
-----	87920-3046	87920-3056	30	Y	3	38.10	35.56	33.02	3.05	6.86	10.31

PDR#C200902903 ADD 879209803 EC NO: S2009-0450 DRWINATSEE 2008/12/12 CHYKD-SKANG 2008/12/12 APPR:MLONG 2008/12/16	QUALITY SYMBOLS	GENERAL TOLERANCES (UNLESS SPECIFIED)	DIMENSION STYLE	SCALE	DESIGN UNITS	THIRD ANGLE PROJECTION
	 = 0  = 0	mm INCH 4 PLACES ± --- ± --- 3 PLACES ± --- ± --- 2 PLACES ± 0.2 ± --- 1 PLACE ± --- ± --- ANGULAR ± 3 °	MM ONLY	NTS	METRIC	
	DESCRIPTION	DRAWN BY	DATE	TITLE		
	REV	CHECKED BY	DATE	CUSTOM HEADER		
C1	APPROVED BY	DATE	C-GRID HDR, SMT W/CAP			
	PATEY	2006/07/05	WITH/WITHOUT LOC. PEGS			
	MATERIAL NO.	2006/07/05	MOLEX INCORPORATED			
	SEE TABLE		SD-87920-001			
	DRAFT WHERE APPLICABLE MUST REMAIN WITHIN DIMENSIONS		SHEET NO. 12 OF 14			
			THIS DRAWING CONTAINS INFORMATION THAT IS PROPRIETARY TO MOLEX INCORPORATED AND SHOULD NOT BE USED WITHOUT WRITTEN PERMISSION			

PART NUMBER IN PACKAGING OPTION		CKT SIZE	PEG	PLATE OPT.	DIMENSION						
TAPE & REEL WITH CAP	TUBE WITHOUT CAP				TUBE WITH CAP	A	B	C	M	F	G
-----	87920-3211	87920-3221	32	N	1	40.64	38.10	----	5.84	9.65	10.66
-----	87920-3212	87920-3222	32	N	2	40.64	38.10	----	5.84	9.65	10.66
-----	87920-3213	87920-3223	32	N	3	40.64	38.10	----	5.84	9.65	10.66
-----	87920-3214	87920-3224	32	Y	1	40.64	38.10	35.56	5.84	9.65	10.66
-----	87920-3215	87920-3225	32	Y	2	40.64	38.10	35.56	5.84	9.65	10.66
-----	87920-3216	87920-3226	32	Y	3	40.64	38.10	35.56	5.84	9.65	10.66
-----	87920-3411	87920-3421	34	N	1	43.18	40.64	----	5.84	9.65	10.66
-----	87920-3412	87920-3422	34	N	2	43.18	40.64	----	5.84	9.65	10.66
-----	87920-3413	87920-3423	34	N	3	43.18	40.64	----	5.84	9.65	10.66
-----	87920-3414	87920-3424	34	Y	1	43.18	40.64	38.10	5.84	9.65	10.66
-----	87920-3415	87920-3425	34	Y	2	43.18	40.64	38.10	5.84	9.65	10.66
-----	87920-3416	87920-3426	34	Y	3	43.18	40.64	38.10	5.84	9.65	10.66
-----	87920-3611	87920-3621	36	N	1	45.72	43.18	----	5.84	9.65	10.66
-----	87920-3612	87920-3622	36	N	2	45.72	43.18	----	5.84	9.65	10.66
-----	87920-3613	87920-3623	36	N	3	45.72	43.18	----	5.84	9.65	10.66
-----	87920-3614	87920-3624	36	Y	1	45.72	43.18	40.64	5.84	9.65	10.66
-----	87920-3615	87920-3625	36	Y	2	45.72	43.18	40.64	5.84	9.65	10.66
-----	87920-3616	87920-3626	36	Y	3	45.72	43.18	40.64	5.84	9.65	10.66

PART NUMBER IN PACKAGING OPTION			CKT SIZE	PEG	PLATE OPT.	DIMENSION					
TAPE & REEL WITH CAP	TUBE WITHOUT CAP	TUBE WITH CAP				A	B	C	M	F	G
-----	87920-3241	87920-3251	32	N	1	40.64	38.10	----	3.05	6.86	10.31
-----	87920-3242	87920-3252	32	N	2	40.64	38.10	----	3.05	6.86	10.31
-----	87920-3243	87920-3253	32	N	3	40.64	38.10	----	3.05	6.86	10.31
-----	87920-3244	87920-3254	32	Y	1	40.64	38.10	35.56	3.05	6.86	10.31
-----	87920-3245	87920-3255	32	Y	2	40.64	38.10	35.56	3.05	6.86	10.31
-----	87920-3246	87920-3256	32	Y	3	40.64	38.10	35.56	3.05	6.86	10.31
-----	87920-3441	87920-3451	34	N	1	43.18	40.64	----	3.05	6.86	10.31
-----	87920-3442	87920-3452	34	N	2	43.18	40.64	----	3.05	6.86	10.31
-----	87920-3443	87920-3453	34	N	3	43.18	40.64	----	3.05	6.86	10.31
-----	87920-3444	87920-3454	34	Y	1	43.18	40.64	38.10	3.05	6.86	10.31
-----	87920-3445	87920-3455	34	Y	2	43.18	40.64	38.10	3.05	6.86	10.31
-----	87920-3446	87920-3456	34	Y	3	43.18	40.64	38.10	3.05	6.86	10.31
-----	87920-3641	87920-3651	36	N	1	45.72	43.18	----	3.05	6.86	10.31
-----	87920-3642	87920-3652	36	N	2	45.72	43.18	----	3.05	6.86	10.31
-----	87920-3643	87920-3653	36	N	3	45.72	43.18	----	3.05	6.86	10.31
-----	87920-3644	87920-3654	36	Y	1	45.72	43.18	40.64	3.05	6.86	10.31
-----	87920-3645	87920-3655	36	Y	2	45.72	43.18	40.64	3.05	6.86	10.31
-----	87920-3646	87920-3656	36	Y	3	45.72	43.18	40.64	3.05	6.86	10.31

PDR#C200902903 ADD 879209803 EC NO: S2009-0450 DRW:WATSEE 2008/12/12 CHK:DJKANG 2008/12/12 APPR:MLONG 2008/12/16	QUALITY SYMBOLS	GENERAL TOLERANCES (UNLESS SPECIFIED)	DIMENSION STYLE	SCALE	DESIGN UNITS	THIRD ANGLE PROJECTION
	 = 0  = 0.2	mm INCH 4 PLACES ± --- ± --- 3 PLACES ± --- ± --- 2 PLACES ± 0.2 ± --- 1 PLACE ± --- ± --- ANGULAR ± 3 °	MM ONLY	NTS	METRIC	
	DESCRIPTION	DRAWN BY	DATE	TITLE		
	REV	CHECKED BY	DATE	CUSTOM HEADER C-GRID HDR, SMT W/CAP WITH/WITHOUT LOC. PEGS		
C1	APPROVED BY	DATE	MOLEX INCORPORATED			
	MATERIAL NO.	DATE	DOCUMENT NO.			
	SEE TABLE	2006/07/05	SD-87920-001			
	DRAFT WHERE APPLICABLE MUST REMAIN WITHIN DIMENSIONS	2006/07/05	SHEET NO. 13 OF 14			
		SIZE A3	THIS DRAWING CONTAINS INFORMATION THAT IS PROPRIETARY TO MOLEX INCORPORATED AND SHOULD NOT BE USED WITHOUT WRITTEN PERMISSION			

PART NUMBER IN PACKAGING OPTION			CKT SIZE	PEG	PLATE OPT.	DIMENSION					
TAPE & REEL WITH CAP	TUBE WITHOUT CAP	TUBE WITH CAP				A	B	C	M	F	G
-----	87920-3811	87920-3821	38	N	1	48.26	45.72	----	5.84	9.65	10.66
-----	87920-3812	87920-3822	38	N	2	48.26	45.72	----	5.84	9.65	10.66
-----	87920-3813	87920-3823	38	N	3	48.26	45.72	----	5.84	9.65	10.66
-----	87920-3814	87920-3824	38	Y	1	48.26	45.72	43.18	5.84	9.65	10.66
-----	87920-3815	87920-3825	38	Y	2	48.26	45.72	43.18	5.84	9.65	10.66
-----	87920-3816	87920-3826	38	Y	3	48.26	45.72	43.18	5.84	9.65	10.66
87920-4001	87920-4011	87920-4021	40	N	1	50.80	48.26	----	5.84	9.65	10.66
87920-4002	87920-4012	87920-4022	40	N	2	50.80	48.26	----	5.84	9.65	10.66
87920-4003	87920-4013	87920-4023	40	N	3	50.80	48.26	----	5.84	9.65	10.66
87920-4004	87920-4014	87920-4024	40	Y	1	50.80	48.26	45.72	5.84	9.65	10.66
87920-4005	87920-4015	87920-4025	40	Y	2	50.80	48.26	45.72	5.84	9.65	10.66
87920-4006	87920-4016	87920-4026	40	Y	3	50.80	48.26	45.72	5.84	9.65	10.66

PART NUMBER IN PACKAGING OPTION			CKT SIZE	PEG	PLATE OPT.	DIMENSION					
TAPE & REEL WITH CAP	TUBE WITHOUT CAP	TUBE WITH CAP				A	B	C	M	F	G
-----	87920-3841	87920-3851	38	N	1	48.26	45.72	----	3.05	6.86	10.31
-----	87920-3842	87920-3852	38	N	2	48.26	45.72	----	3.05	6.86	10.31
-----	87920-3843	87920-3853	38	N	3	48.26	45.72	----	3.05	6.86	10.31
-----	87920-3844	87920-3854	38	Y	1	48.26	45.72	43.18	3.05	6.86	10.31
-----	87920-3845	87920-3855	38	Y	2	48.26	45.72	43.18	3.05	6.86	10.31
-----	87920-3846	87920-3856	38	Y	3	48.26	45.72	43.18	3.05	6.86	10.31
87920-4031	87920-4041	87920-4051	40	N	1	50.80	48.26	----	3.05	6.86	10.31
87920-4032	87920-4042	87920-4052	40	N	2	50.80	48.26	----	3.05	6.86	10.31
87920-4033	87920-4043	87920-4053	40	N	3	50.80	48.26	----	3.05	6.86	10.31
87920-4034	87920-4044	87920-4054	40	Y	1	50.80	48.26	45.72	3.05	6.86	10.31
87920-4035	87920-4045	87920-4055	40	Y	2	50.80	48.26	45.72	3.05	6.86	10.31
87920-4036	87920-4046	87920-4056	40	Y	3	50.80	48.26	45.72	3.05	6.86	10.31



10
9
8
7
6
5
4
3
2
1

fb_frame_A3_P_AM_T
Rev. E 2006/04/15

PDR#C200902903 ADD 879209803 EC NO: S2009-0450 DRWINATSEE 2008/12/12 CHKD:SKANG 2008/12/12 APPR:MLONG 2008/12/16	QUALITY SYMBOLS	GENERAL TOLERANCES (UNLESS SPECIFIED)	DIMENSION STYLE	SCALE	DESIGN UNITS	THIRD ANGLE PROJECTION																			
	= 0 = 0	<table border="1"> <tr><th colspan="2">mm</th><th colspan="2">INCH</th></tr> <tr><td>4 PLACES</td><td>± ---</td><td>± ---</td><td></td></tr> <tr><td>3 PLACES</td><td>± ---</td><td>± ---</td><td></td></tr> <tr><td>2 PLACES</td><td>± 0.2</td><td>± ---</td><td></td></tr> <tr><td>1 PLACE</td><td>± ---</td><td>± ---</td><td></td></tr> </table>	mm		INCH		4 PLACES	± ---	± ---		3 PLACES	± ---	± ---		2 PLACES	± 0.2	± ---		1 PLACE	± ---	± ---		MM ONLY	NTS	METRIC
mm		INCH																							
4 PLACES	± ---	± ---																							
3 PLACES	± ---	± ---																							
2 PLACES	± 0.2	± ---																							
1 PLACE	± ---	± ---																							
REV	DESCRIPTION	DRAFT WHERE APPLICABLE MUST REMAIN WITHIN DIMENSIONS	DRAWN BY: SKLIM01 DATE: 2006/05/25 CHECKED BY: PATEY DATE: 2006/07/05 APPROVED BY: PATEY DATE: 2006/07/05	TITLE: CUSTOM HEADER C-GRID HDR, SMT W/CAP WITH/WITHOUT LOC. PEGS		MATERIAL NO. DOCUMENT NO.																			
C1			SEE TABLE	MOLEX INCORPORATED		SHEET NO. 14 OF 14																			

9
8
7
6
5
4
3
2
1

THIS DRAWING CONTAINS INFORMATION THAT IS PROPRIETARY TO MOLEX INCORPORATED AND SHOULD NOT BE USED WITHOUT WRITTEN PERMISSION