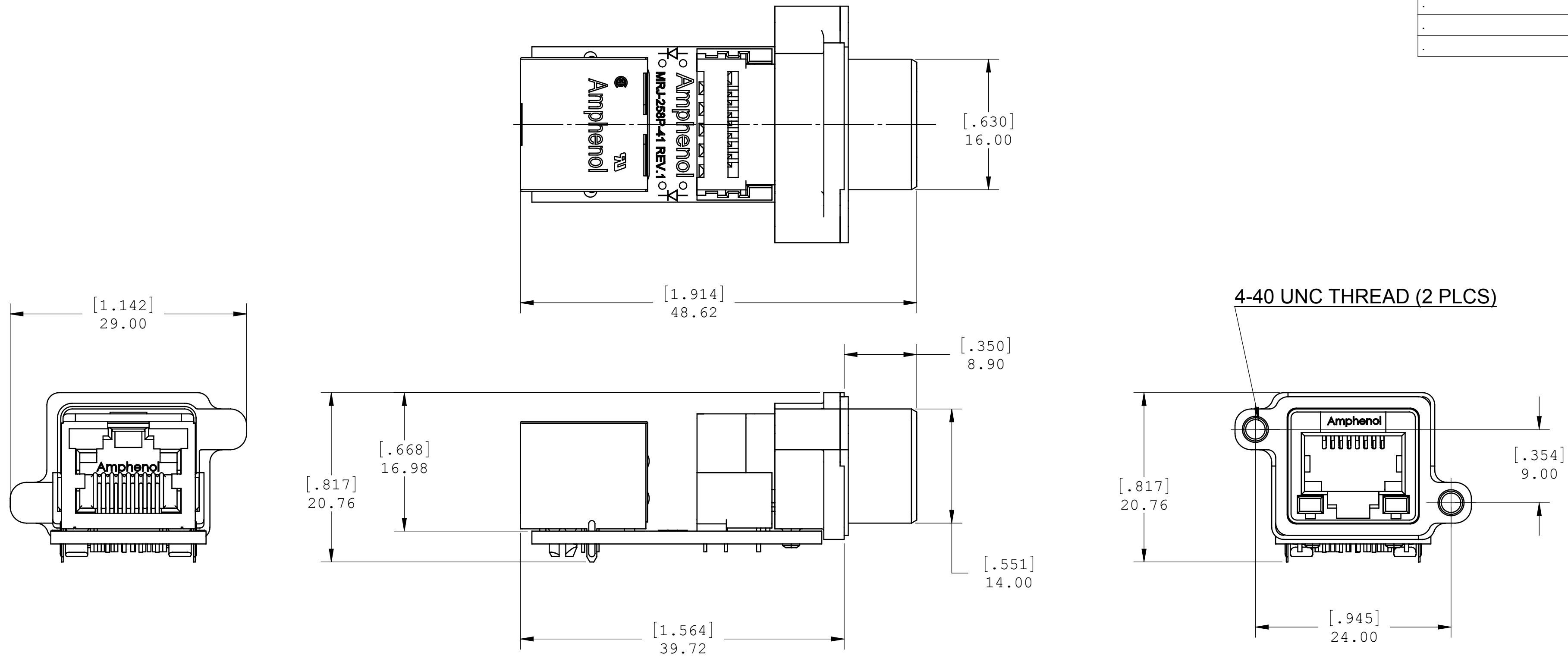
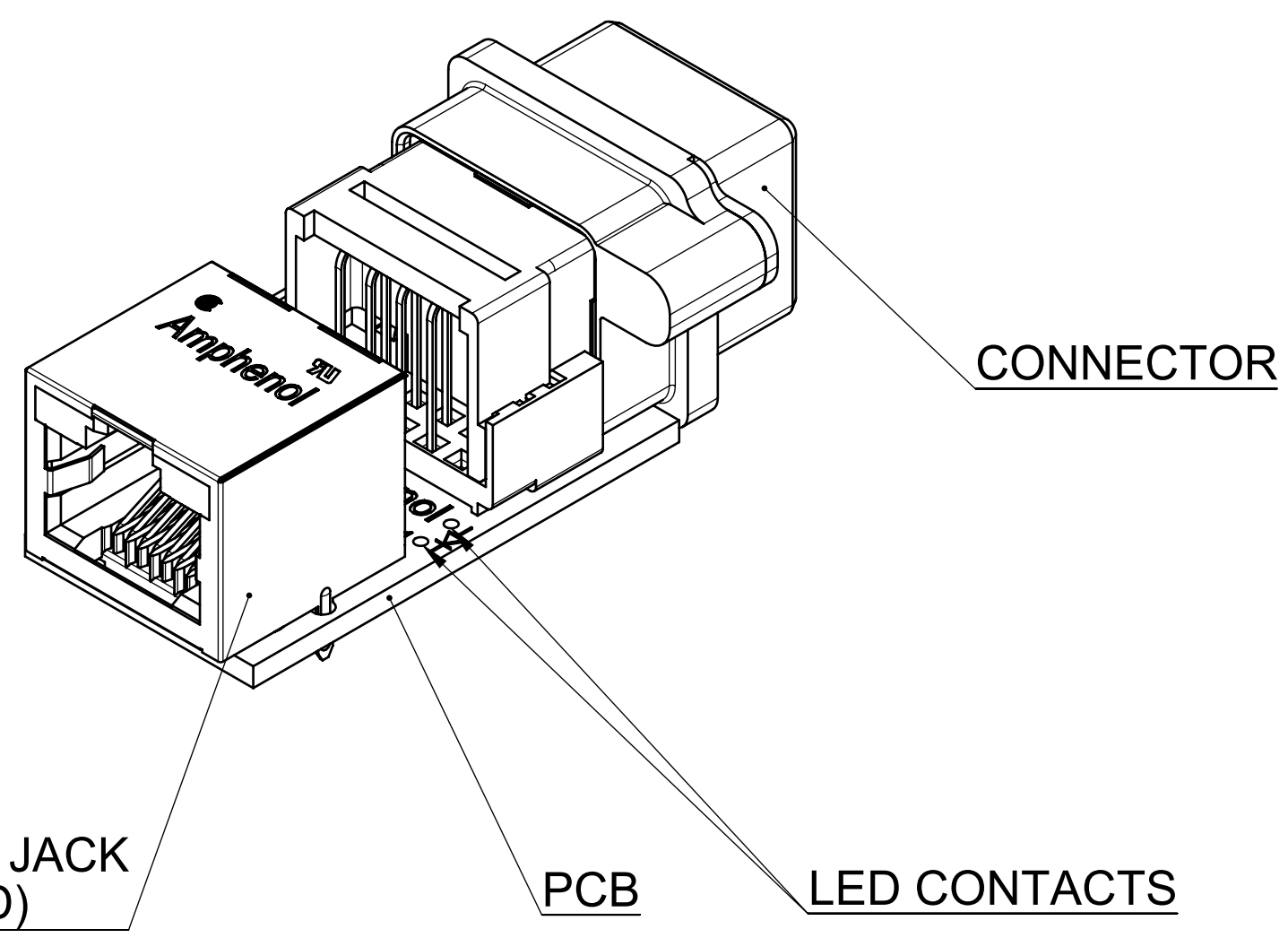


REV	DESCRIP	DATE	APPRVD

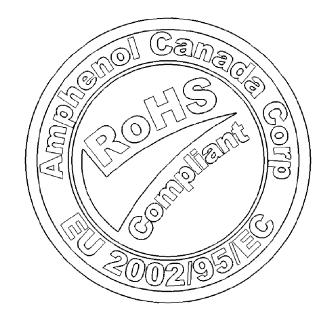


4-40 UNC THREAD (2 PLCS)



**NOTES:**

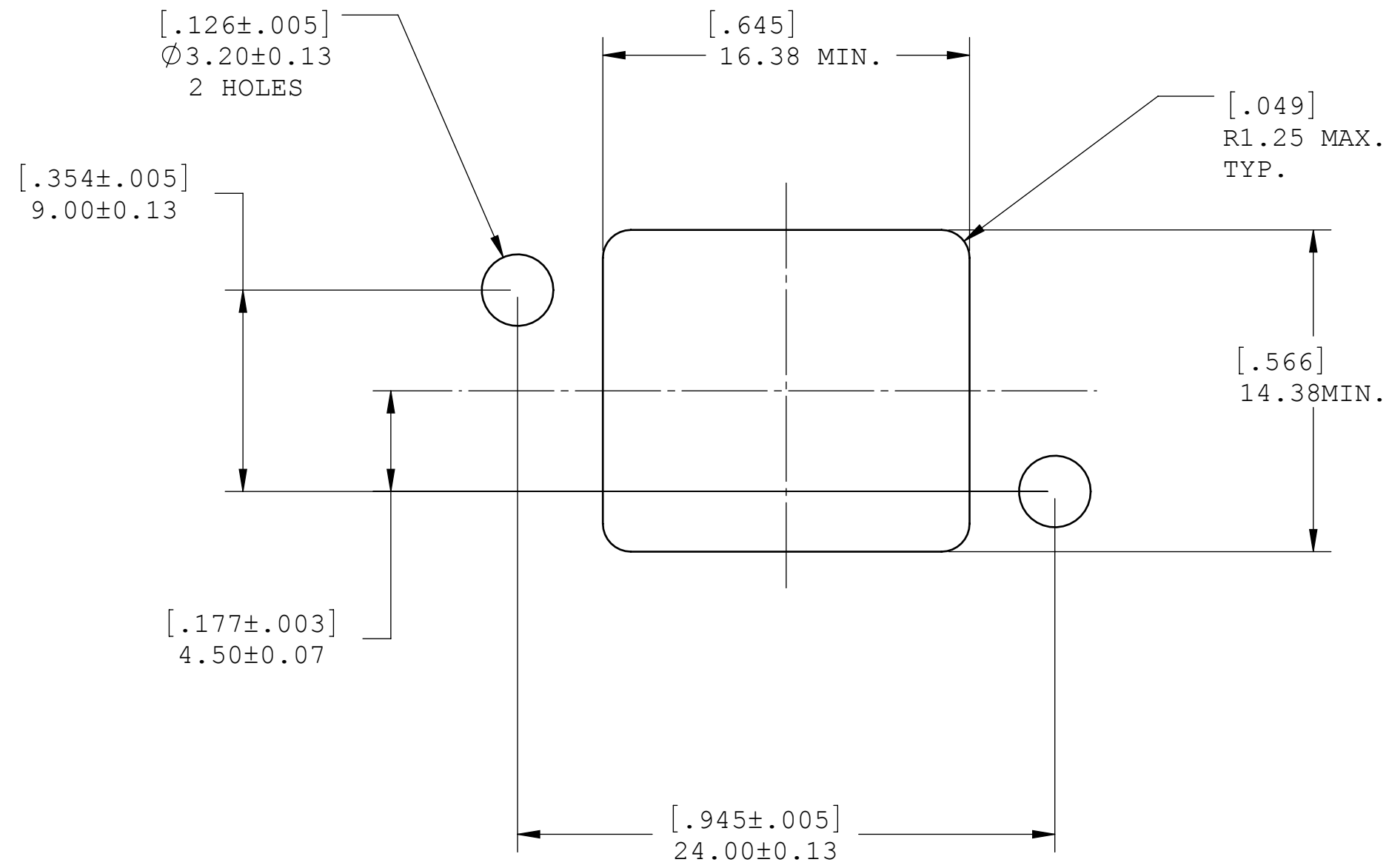
- COMPONENTS:
  - CONNECTOR: MRJ-538X-0X, RECEPTACLE, 8 CONTACTS.
  - TERMINATION: RJ45, PLUG.
- FEATURE: SEALED CONNECTOR IN THE MATED AND UNMATED CONDITIONS.
- OPERATING TEMPERATURE: -40°C TO +105°C.
- CONNECTOR MEETS CATEGORY CAT5E REQUIREMENTS DESCRIBED IN TIA/EIA-568-B.1 PART 2.
- ENVIRONMENT PERFORMANCE: IP67.
- ALL COMPONENTS AND MATERIALS USED FOR CONNECTOR AND PACKAGING ARE ROHS COMPLIANT PER EU DIRECTIVE 2002/95/EC AND AMENDMENTS.



UNLESS OTHERWISE SPECIFIED DIMENSIONS ARE IN MILLIMETER TOLERANCES ARE:  DECIMALS                      ANGLES .XX ± .10                        ± 1° .X ± .25	APPROVALS	DATE	<b>Amphenol Canada Corp.</b>		
	DRAWN S.SEMENOV	JAN01/07			
	DESIGNED S.SEMENOV	JAN01/07	TITLE  MRJ CONNECTOR WITH RJ45 TERMINATION		
	CHECKED				
	MATERIAL AND FINISH	QA APP'D		SIZE C	DWG. NO. P-MRJ-578X-X1
REF.	IE APP'D		SCALE 1:0.4	PROJECT MRJ	SHEET 1 OF 2
CODE IDENT. NO.	DWG APP'D A.GREEN	JAN01/07			

DO NOT SCALE DRAWING  
THIS DOCUMENT CONTAINS PROPRIETARY INFORMATION AND SUCH INFORMATION MAY NOT BE DISCLOSED TO OTHERS FOR ANY PURPOSE OR USED FOR MANUFACTURING PURPOSES WITHOUT PERMISSION FROM AMPHENOL CANADA CORP.

REV	DESCRIPT	DATE	APPRVD
.			
.			
.			



**RECOMMENDED PANEL CUTOUT**



UNLESS OTHERWISE SPECIFIED DIMENSIONS ARE IN MILLIMETER TOLERANCES ARE:  DECIMALS                      ANGLES .XX ± .10                      ± 1° .X ± .25	APPROVALS	DATE	<b>Amphenol Canada Corp.</b>		
	DRAWN S.SEMENOV	JAN01/07			
	DESIGNED S.SEMENOV	JAN01/07	TITLE  <b>MRJ CONNECTOR          WITH RJ45 TERMINATION</b>		
	CHECKED				
	QA APP'D				
MATERIAL AND FINISH	IE APP'D		SIZE C	DWG. NO. P-MRJ-578X-X1	REV. 2A
REF.	DWG APP'D A.GREEN	JAN01/07	SCALE 4:1	PROJECT MRJ	SHEET 2 OF 2
CODE IDENT. NO.					

DO NOT SCALE DRAWING  
 THIS DOCUMENT CONTAINS PROPRIETARY INFORMATION AND SUCH INFORMATION MAY NOT BE DISCLOSED TO OTHERS FOR ANY PURPOSE  
 OR USED FOR MANUFACTURING PURPOSES WITHOUT PERMISSION FROM AMPHENOL CANADA CORP.