

“Marshal Bean” Protective Rubber Covers with Tether Rope 780-555



*Fits Metal Shell
M83513 Type
Connectors*

Rubber Covers for Tactical Equipment and Field Instruments

– These friction-fit covers provide dust and splash protection.

Two Tether Styles – Choose ring terminals for attachment to a panel, or choose slip knots for cable attachment.

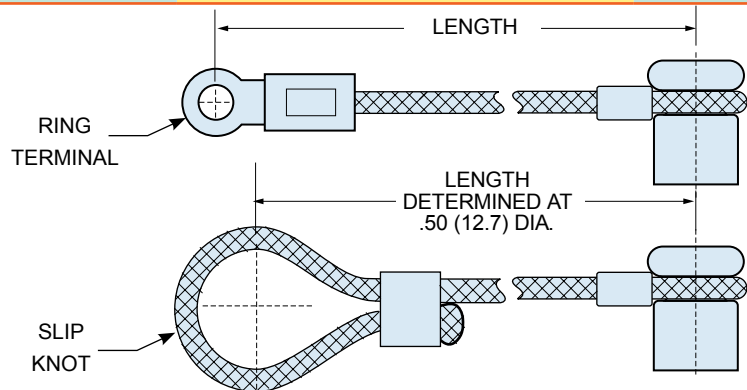
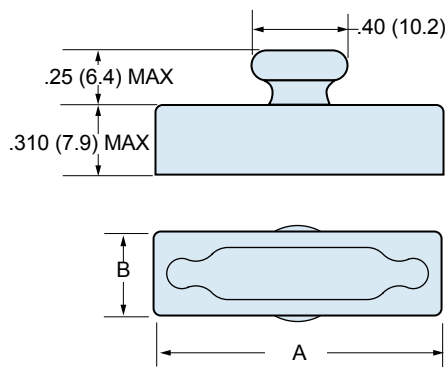
-55° to +125° Temperature Range

MATERIALS & FINISHES

Cover	SBR Rubber Per ASTM D2000 Type C
Cord	Nylon Per MIL-C-43307
Ring Terminal	Stainless Steel
Slip Collar	Kynar
Crimp Ring	Copper, Black Oxide Finish

HOW TO ORDER 780-555 RUBBER PROTECTIVE COVERS

Series	Connector Layout	Nylon Cord Option	Nylon Cord Length	Attachment Option	Rubber Type
780-555	9P 9S	Omit – (leave blank) Cover only, no cord	Length in One Inch Increments Example: “6” equals six inches. ± .250 Inches ± 6.35 mm	Ring Terminal 06 – .125 (3.2) I.D. 01 – .140 (3.6) I.D. 05 – .167 (4.2) I.D. 04 – .197 (5.0) I.D. SK – Slip Knot	Omit Standard Rubber C Conductive Rubber
	15P 15S				
	21P 21S				
	25P 25S	G – Nylon Cord			
	31P 31S				
	37P 37S				
	51P 51S				
	51-2P 51-2S				
	67P 67S				
	69P 69S				
100P 100S					
Sample Part Number					
780-555	37P	G	4	– SK	



Layout	A Max.		B Max.	
	In.	mm.	In.	mm.
9P, 9S	.830	21.08	.370	9.40
15P, 15S	.980	24.89	.370	9.40
21P, 21S	1.130	28.70	.370	9.40
25P, 25S	1.230	31.24	.370	9.40
31P, 31S	1.380	35.05	.370	9.40
37P, 37S	1.530	38.86	.370	9.40

Layout	A Max.		B Max.	
	In.	mm.	In.	mm.
51P, 51S	1.480	37.59	.410	10.41
51-2P, 51-2S	1.880	47.75	.370	9.40
67P, 67S	2.770	70.36	.370	9.40
69P, 69S	1.780	45.21	.410	10.41
100P, 100S	2.215	56.26	.460	11.68