

To all our customers

Regarding the change of names mentioned in the document, such as Hitachi Electric and Hitachi XX, to Renesas Technology Corp.

The semiconductor operations of Mitsubishi Electric and Hitachi were transferred to Renesas Technology Corporation on April 1st 2003. These operations include microcomputer, logic, analog and discrete devices, and memory chips other than DRAMs (flash memory, SRAMs etc.) Accordingly, although Hitachi, Hitachi, Ltd., Hitachi Semiconductors, and other Hitachi brand names are mentioned in the document, these names have in fact all been changed to Renesas Technology Corp. Thank you for your understanding. Except for our corporate trademark, logo and corporate statement, no changes whatsoever have been made to the contents of the document, and these changes do not constitute any alteration to the contents of the document itself.

Renesas Technology Home Page: <http://www.renesas.com>

Renesas Technology Corp.
Customer Support Dept.
April 1, 2003

Cautions

Keep safety first in your circuit designs!

1. Renesas Technology Corporation puts the maximum effort into making semiconductor products better and more reliable, but there is always the possibility that trouble may occur with them. Trouble with semiconductors may lead to personal injury, fire or property damage.

Remember to give due consideration to safety when making your circuit designs, with appropriate measures such as (i) placement of substitutive, auxiliary circuits, (ii) use of nonflammable material or (iii) prevention against any malfunction or mishap.

Notes regarding these materials

1. These materials are intended as a reference to assist our customers in the selection of the Renesas Technology Corporation product best suited to the customer's application; they do not convey any license under any intellectual property rights, or any other rights, belonging to Renesas Technology Corporation or a third party.
2. Renesas Technology Corporation assumes no responsibility for any damage, or infringement of any third-party's rights, originating in the use of any product data, diagrams, charts, programs, algorithms, or circuit application examples contained in these materials.
3. All information contained in these materials, including product data, diagrams, charts, programs and algorithms represents information on products at the time of publication of these materials, and are subject to change by Renesas Technology Corporation without notice due to product improvements or other reasons. It is therefore recommended that customers contact Renesas Technology Corporation or an authorized Renesas Technology Corporation product distributor for the latest product information before purchasing a product listed herein.
The information described here may contain technical inaccuracies or typographical errors. Renesas Technology Corporation assumes no responsibility for any damage, liability, or other loss rising from these inaccuracies or errors.
Please also pay attention to information published by Renesas Technology Corporation by various means, including the Renesas Technology Corporation Semiconductor home page (<http://www.renesas.com>).
4. When using any or all of the information contained in these materials, including product data, diagrams, charts, programs, and algorithms, please be sure to evaluate all information as a total system before making a final decision on the applicability of the information and products. Renesas Technology Corporation assumes no responsibility for any damage, liability or other loss resulting from the information contained herein.
5. Renesas Technology Corporation semiconductors are not designed or manufactured for use in a device or system that is used under circumstances in which human life is potentially at stake. Please contact Renesas Technology Corporation or an authorized Renesas Technology Corporation product distributor when considering the use of a product contained herein for any specific purposes, such as apparatus or systems for transportation, vehicular, medical, aerospace, nuclear, or undersea repeater use.
6. The prior written approval of Renesas Technology Corporation is necessary to reprint or reproduce in whole or in part these materials.
7. If these products or technologies are subject to the Japanese export control restrictions, they must be exported under a license from the Japanese government and cannot be imported into a country other than the approved destination.
Any diversion or reexport contrary to the export control laws and regulations of Japan and/or the country of destination is prohibited.
8. Please contact Renesas Technology Corporation for further details on these materials or the products contained therein.

HM66AQB36104/HM66AQB18204 HM66AQB9404/HM66AQB8404

36-Mbit QDR™II SRAM
4-word Burst



ADE-203-1331B (Z)

Preliminary
Rev. 0.2
Jan. 14, 2003

Description

The HM66AQB36104 is a 1,048,576-word by 36-bit, the HM66AQB18204 is a 2,097,152-word by 18-bit, the HM66AQB9404 is a 4,194,304-word by 9-bit, and the HM66AQB8404 is a 4,194,304-word by 8-bit synchronous quad data rate static RAM fabricated with advanced CMOS technology using full CMOS six-transistor memory cell. It integrates unique synchronous peripheral circuitry and a burst counter. All input registers controlled by an input clock pair (K and \bar{K}) and are latched on the positive edge of K and \bar{K} . These products are suitable for applications which require synchronous operation, high speed, low voltage, high density and wide bit configuration. These products are packaged in 165-pin plastic FBGA package.

Note: QDR RAMs and Quad Data Rate RAMs comprise a new family of products developed by Cypress Semiconductor, IDT, Micron Technology, Inc., NEC, Samsung, and Hitachi.

Preliminary: The specifications of this device are subject to change without notice. Please contact your nearest Hitachi's Sales Dept. regarding specifications.

HM66AQB36104/18204/9404/8404

Features

- 1.8 V \pm 0.1 V power supply for core (V_{DD})
- 1.4 V to V_{DD} power supply for I/O (V_{DDQ})
- DLL circuitry for wide output data valid window and future frequency scaling
- Separate independent read and write data ports with concurrent transactions
- 100% bus utilization DDR read and write operation
- Four-tick burst for reduced address frequency
- Two input clocks (K and \bar{K}) for precise DDR timing at clock rising edges only
- Two output clocks (C and \bar{C}) for precise flight time and clock skew matching-clock and data delivered together to receiving device
- Internally self-timed write control
- Clock-stop capability with μ s restart
- User programmable impedance output
- Fast clock cycle time: 3.0 ns (333 MHz)/3.3 ns (300 MHz)/4.0 ns (250 MHz)/5.0 ns (200 MHz)/6.0 ns (167 MHz)
- Simple control logic for easy depth expansion
- JTAG boundary scan

Ordering Information

Type No.	Organization	Cycle time	Clock frequency	Package
HM66AQB36104BP-30	1-M word	3.0 ns	333 MHz	Plastic FBGA 165-pin (BP-165A)
HM66AQB36104BP-33	\times 36-bit	3.3 ns	300 MHz	
HM66AQB36104BP-40		4.0 ns	250 MHz	
HM66AQB36104BP-50		5.0 ns	200 MHz	
HM66AQB36104BP-60		6.0 ns	167 MHz	
HM66AQB18204BP-30	2-M word	3.0 ns	333 MHz	
HM66AQB18204BP-33	\times 18-bit	3.3 ns	300 MHz	
HM66AQB18204BP-40		4.0 ns	250 MHz	
HM66AQB18204BP-50		5.0 ns	200 MHz	
HM66AQB18204BP-60		6.0 ns	167 MHz	
HM66AQB9404BP-30	4-M word	3.0 ns	333 MHz	
HM66AQB9404BP-33	\times 9-bit	3.3 ns	300 MHz	
HM66AQB9404BP-40		4.0 ns	250 MHz	
HM66AQB9404BP-50		5.0 ns	200 MHz	
HM66AQB9404BP-60		6.0 ns	167 MHz	
HM66AQB8404BP-30	4-M word	3.0 ns	333 MHz	
HM66AQB8404BP-33	\times 8-bit	3.3 ns	300 MHz	
HM66AQB8404BP-40		4.0 ns	250 MHz	
HM66AQB8404BP-50		5.0 ns	200 MHz	
HM66AQB8404BP-60		6.0 ns	167 MHz	

HM66AQB36104/18204/9404/8404

Pin Arrangement (HM66AQB36104) 165PIN-BGA

	1	2	3	4	5	6	7	8	9	10	11
A	CQ	V _{SS}	NC	W	BW2	K	BW1	R	SA	NC	CQ
B	Q27	Q18	D18	SA	BW3	K	BW0	SA	D17	Q17	Q8
C	D27	Q28	D19	V _{SS}	SA	NC	SA	V _{SS}	D16	Q7	D8
D	D28	D20	Q19	V _{SS}	V _{SS}	V _{SS}	V _{SS}	V _{SS}	Q16	D15	D7
E	Q29	D29	Q20	V _{DDQ}	V _{SS}	V _{SS}	V _{SS}	V _{DDQ}	Q15	D6	Q6
F	Q30	Q21	D21	V _{DDQ}	V _{DD}	V _{SS}	V _{DD}	V _{DDQ}	D14	Q14	Q5
G	D30	D22	Q22	V _{DDQ}	V _{DD}	V _{SS}	V _{DD}	V _{DDQ}	Q13	D13	D5
H	DOFF	V _{REF}	V _{DDQ}	V _{DDQ}	V _{DD}	V _{SS}	V _{DD}	V _{DDQ}	V _{DDQ}	V _{REF}	ZQ
J	D31	Q31	D23	V _{DDQ}	V _{DD}	V _{SS}	V _{DD}	V _{DDQ}	D12	Q4	D4
K	Q32	D32	Q23	V _{DDQ}	V _{DD}	V _{SS}	V _{DD}	V _{DDQ}	Q12	D3	Q3
L	Q33	Q24	D24	V _{DDQ}	V _{SS}	V _{SS}	V _{SS}	V _{DDQ}	D11	Q11	Q2
M	D33	Q34	D25	V _{SS}	V _{SS}	V _{SS}	V _{SS}	V _{SS}	D10	Q1	D2
N	D34	D26	Q25	V _{SS}	SA	SA	SA	V _{SS}	Q10	D9	D1
P	Q35	D35	Q26	SA	SA	C	SA	SA	Q9	D0	Q0
R	TDO	TCK	SA	SA	SA	C	SA	SA	SA	TMS	TDI

(Top view)

Pin Arrangement (HM66AQB18204) 165PIN-BGA

	1	2	3	4	5	6	7	8	9	10	11
A	CQ	V _{SS}	SA	W	BW1	K	NC	R	SA	NC	CQ
B	NC	Q9	D9	SA	NC	K	BW0	SA	NC	NC	Q8
C	NC	NC	D10	V _{SS}	SA	NC	SA	V _{SS}	NC	Q7	D8
D	NC	D11	Q10	V _{SS}	V _{SS}	V _{SS}	V _{SS}	V _{SS}	NC	NC	D7
E	NC	NC	Q11	V _{DDQ}	V _{SS}	V _{SS}	V _{SS}	V _{DDQ}	NC	D6	Q6
F	NC	Q12	D12	V _{DDQ}	V _{DD}	V _{SS}	V _{DD}	V _{DDQ}	NC	NC	Q5
G	NC	D13	Q13	V _{DDQ}	V _{DD}	V _{SS}	V _{DD}	V _{DDQ}	NC	NC	D5
H	DOFF	V _{REF}	V _{DDQ}	V _{DDQ}	V _{DD}	V _{SS}	V _{DD}	V _{DDQ}	V _{DDQ}	V _{REF}	ZQ
J	NC	NC	D14	V _{DDQ}	V _{DD}	V _{SS}	V _{DD}	V _{DDQ}	NC	Q4	D4
K	NC	NC	Q14	V _{DDQ}	V _{DD}	V _{SS}	V _{DD}	V _{DDQ}	NC	D3	Q3
L	NC	Q15	D15	V _{DDQ}	V _{SS}	V _{SS}	V _{SS}	V _{DDQ}	NC	NC	Q2
M	NC	NC	D16	V _{SS}	V _{SS}	V _{SS}	V _{SS}	V _{SS}	NC	Q1	D2
N	NC	D17	Q16	V _{SS}	SA	SA	SA	V _{SS}	NC	NC	D1
P	NC	NC	Q17	SA	SA	C	SA	SA	NC	D0	Q0
R	TDO	TCK	SA	SA	SA	C	SA	SA	SA	TMS	TDI

(Top view)

HM66AQB36104/18204/9404/8404

Pin Arrangement (HM66AQB9404) 165PIN-BGA

	1	2	3	4	5	6	7	8	9	10	11
A	$\overline{\text{CQ}}$	V_{SS}	SA	$\overline{\text{W}}$	NC	$\overline{\text{K}}$	NC	$\overline{\text{R}}$	SA	SA	CQ
B	NC	NC	NC	SA	NC	K	$\overline{\text{BW}}$	SA	NC	NC	Q3
C	NC	NC	NC	V_{SS}	SA	NC	SA	V_{SS}	NC	NC	D3
D	NC	D4	NC	V_{SS}	V_{SS}	V_{SS}	V_{SS}	V_{SS}	NC	NC	NC
E	NC	NC	Q4	V_{DDQ}	V_{SS}	V_{SS}	V_{SS}	V_{DDQ}	NC	D2	Q2
F	NC	NC	NC	V_{DDQ}	V_{DD}	V_{SS}	V_{DD}	V_{DDQ}	NC	NC	NC
G	NC	D5	Q5	V_{DDQ}	V_{DD}	V_{SS}	V_{DD}	V_{DDQ}	NC	NC	NC
H	$\overline{\text{DOFF}}$	V_{REF}	V_{DDQ}	V_{DDQ}	V_{DD}	V_{SS}	V_{DD}	V_{DDQ}	V_{DDQ}	V_{REF}	ZQ
J	NC	NC	NC	V_{DDQ}	V_{DD}	V_{SS}	V_{DD}	V_{DDQ}	NC	Q1	D1
K	NC	NC	NC	V_{DDQ}	V_{DD}	V_{SS}	V_{DD}	V_{DDQ}	NC	NC	NC
L	NC	Q6	D6	V_{DDQ}	V_{SS}	V_{SS}	V_{SS}	V_{DDQ}	NC	NC	Q0
M	NC	NC	NC	V_{SS}	V_{SS}	V_{SS}	V_{SS}	V_{SS}	NC	NC	D0
N	NC	D7	NC	V_{SS}	SA	SA	SA	V_{SS}	NC	NC	NC
P	NC	NC	Q7	SA	SA	C	SA	SA	NC	D8	Q8
R	TDO	TCK	SA	SA	SA	$\overline{\text{C}}$	SA	SA	SA	TMS	TDI

(Top view)

Pin Arrangement (HM66AQB8404) 165PIN-BGA

	1	2	3	4	5	6	7	8	9	10	11
A	$\overline{\text{CQ}}$	V_{SS}	SA	$\overline{\text{W}}$	$\overline{\text{NW1}}$	$\overline{\text{K}}$	NC	$\overline{\text{R}}$	SA	SA	CQ
B	NC	NC	NC	SA	NC	K	$\overline{\text{NW0}}$	SA	NC	NC	Q3
C	NC	NC	NC	V_{SS}	SA	NC	SA	V_{SS}	NC	NC	D3
D	NC	D4	NC	V_{SS}	V_{SS}	V_{SS}	V_{SS}	V_{SS}	NC	NC	NC
E	NC	NC	Q4	V_{DDQ}	V_{SS}	V_{SS}	V_{SS}	V_{DDQ}	NC	D2	Q2
F	NC	NC	NC	V_{DDQ}	V_{DD}	V_{SS}	V_{DD}	V_{DDQ}	NC	NC	NC
G	NC	D5	Q5	V_{DDQ}	V_{DD}	V_{SS}	V_{DD}	V_{DDQ}	NC	NC	NC
H	$\overline{\text{DOFF}}$	V_{REF}	V_{DDQ}	V_{DDQ}	V_{DD}	V_{SS}	V_{DD}	V_{DDQ}	V_{DDQ}	V_{REF}	ZQ
J	NC	NC	NC	V_{DDQ}	V_{DD}	V_{SS}	V_{DD}	V_{DDQ}	NC	Q1	D1
K	NC	NC	NC	V_{DDQ}	V_{DD}	V_{SS}	V_{DD}	V_{DDQ}	NC	NC	NC
L	NC	Q6	D6	V_{DDQ}	V_{SS}	V_{SS}	V_{SS}	V_{DDQ}	NC	NC	Q0
M	NC	NC	NC	V_{SS}	V_{SS}	V_{SS}	V_{SS}	V_{SS}	NC	NC	D0
N	NC	D7	NC	V_{SS}	SA	SA	SA	V_{SS}	NC	NC	NC
P	NC	NC	Q7	SA	SA	C	SA	SA	NC	NC	NC
R	TDO	TCK	SA	SA	SA	$\overline{\text{C}}$	SA	SA	SA	TMS	TDI

(Top view)

Pin Descriptions

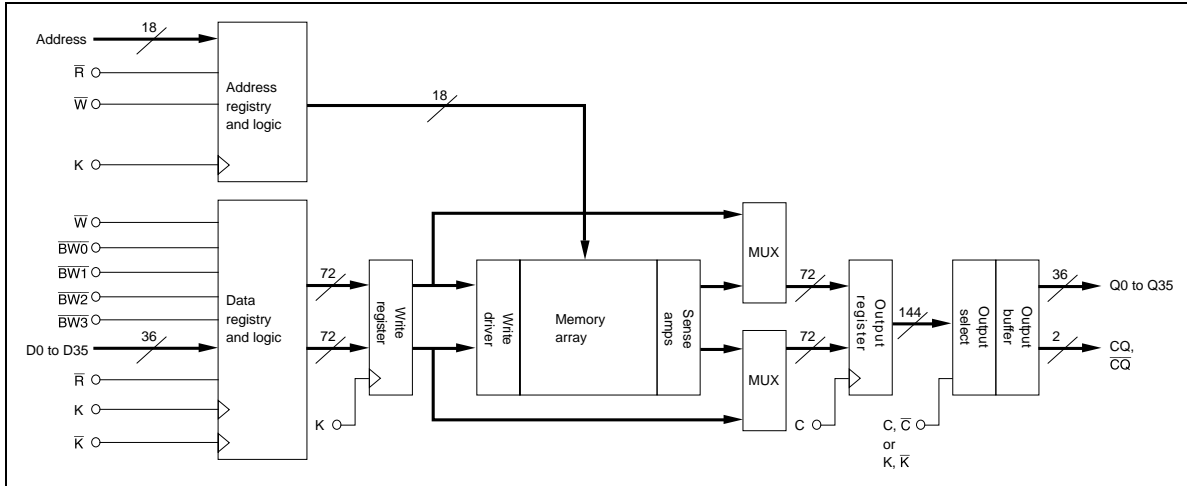
Name	I/O type	Descriptions
SAn	Input	Synchronous address inputs: These inputs are registered and must meet the setup and hold times around the rising edge of K. Ball 2A is reserved for the next higher-order address input on future devices. All transactions operate on burst-of-four words (two clock periods of bus activity). These inputs are ignored when device is deselected.
\bar{R}	Input	Synchronous read: When low, this input causes the address inputs to be registered and a READ cycle to be initiated. This input must meet setup and hold times around the rising edge of K, and is ignored on the subsequent rising edge of K.
\bar{W}	Input	Synchronous write: When low, this input causes the address inputs to be registered and a WRITE cycle to be initiated. This input must meet setup and hold times around the rising edge of K, and is ignored on the subsequent rising edge of K.
\overline{NWn} \overline{BW} \overline{BWn}	Input	Synchronous byte writes (nibble writes on $\times 8$): When low, these inputs cause their respective byte or nibble to be registered and written during WRITE cycles. These signals must meet setup and hold times around the rising edges of K and \bar{K} for each of two rising edges comprising the WRITE cycle. See Byte Write Truth Table for signal to data relationship.
K, \bar{K}	Input	Input clock: This input clock pair registers address and control inputs on the rising edge of K, and registers data on the rising edge of K and the rising edge of \bar{K} . \bar{K} is ideally 180 degrees out of phase with K. All synchronous inputs must meet setup and hold times around the clock rising edges.
C, \bar{C}	Input	Output clock: This clock pair provides a user-controlled means of tuning device output data. The rising edge of C is used as the output timing reference for second and fourth output data. The rising edge of \bar{C} is used as the output reference for first and third output data. Ideally, \bar{C} is 180 degrees out of phase with C. C and \bar{C} may be tied high to force the use of K and \bar{K} as the output reference clocks instead of having to provide C and \bar{C} clocks. If tied high, C and \bar{C} must remain high and not to be toggled during device operation.
\overline{DOFF}	Input	DLL disable: When low, this input causes the DLL to be bypassed for stable, low frequency operation.
ZQ	Input	Output impedance matching input: This input is used to tune the device outputs to the system data bus impedance. Q and CQ output impedance are set to $0.2 \times RQ$, where RQ is a resistor from this ball to ground. Alternately, this ball can be connected directly to V_{DDQ} , which enables the minimum impedance mode. This ball cannot be connected directly to V_{SS} or left unconnected.
TMS TDI	Input	IEEE1149.1 test inputs: 1.8 V I/O levels. These balls may be left not connected if the JTAG function is not used in the circuit.
TCK	Input	IEEE1149.1 clock input: 1.8 V I/O levels. This ball must be tied to V_{SS} if the JTAG function is not used in the circuit.

HM66AQB36104/18204/9404/8404

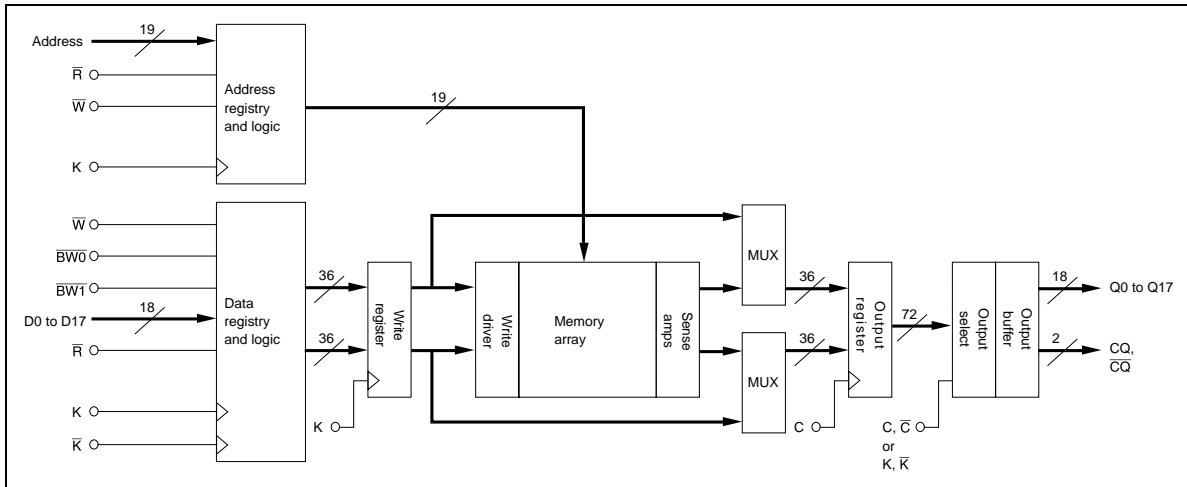
Name	I/O type	Descriptions
D0 to Dn	Input	<p>Synchronous data inputs: Input data must meet setup and hold times around the rising edges of K and \bar{K} during WRITE operations. See Pin Arrangement figures for ball site location of individual signals.</p> <p>The ×8 device uses D0 to D7. Remaining signals are NC. The ×9 device uses D0 to D8. Remaining signals are NC. The ×18 device uses D0 to D17. Remaining signals are NC. The ×36 device uses D0 to D35.</p> <p>NC signals are read in the JTAG scan chain as the logic level applied to the ball site.</p>
CQ, \bar{CQ}	Output	<p>Synchronous echo clock outputs: The edges of these outputs are tightly matched to the synchronous data outputs and can be used as a data valid indication. These signals run freely and do not stop when Q tri-states.</p>
TDO	Output	<p>IEEE 1149.1 test output: 1.8 V I/O level.</p>
Q0 to Qn	Output	<p>Synchronous data outputs: Output data is synchronized to the respective C and \bar{C}, or to the respective K and \bar{K} rising edges if C and \bar{C} are tied high. This bus operates in response to \bar{R} commands. See Pin Arrangement figures for ball site location of individual signals.</p> <p>The ×8 device uses Q0 to Q7. Remaining signals are NC. The ×9 device uses Q0 to Q8. Remaining signals are NC. The ×18 device uses Q0 to Q17. Remaining signals are NC. The ×36 device uses Q0 to Q35.</p> <p>NC signals are read in the JTAG scan chain as the logic level applied to the ball site.</p>
V_{DD}	Supply	<p>Power supply: 1.8 V nominal. See DC Characteristics and Operating Conditions for range.</p>
V_{DDQ}	Supply	<p>Power supply: Isolated output buffer supply. Nominally 1.5 V. 1.8 V is also permissible. See DC Characteristics and Operating Conditions for range.</p>
V_{SS}	Supply	<p>Power supply: Ground</p>
V_{REF}	—	<p>HSTL input reference voltage: Nominally $V_{DDQ}/2$. Provides a reference voltage for the input buffers.</p>
NC	—	<p>No connect: These signals are internally connected and appear in the JTAG scan chain as the logic level applied to the ball sites. These signals may be connected to ground to improve package heat dissipation.</p>

Note: 1. All power supply and ground balls must be connected for proper operation of the device.

Block Diagram (HM66AQB36104)

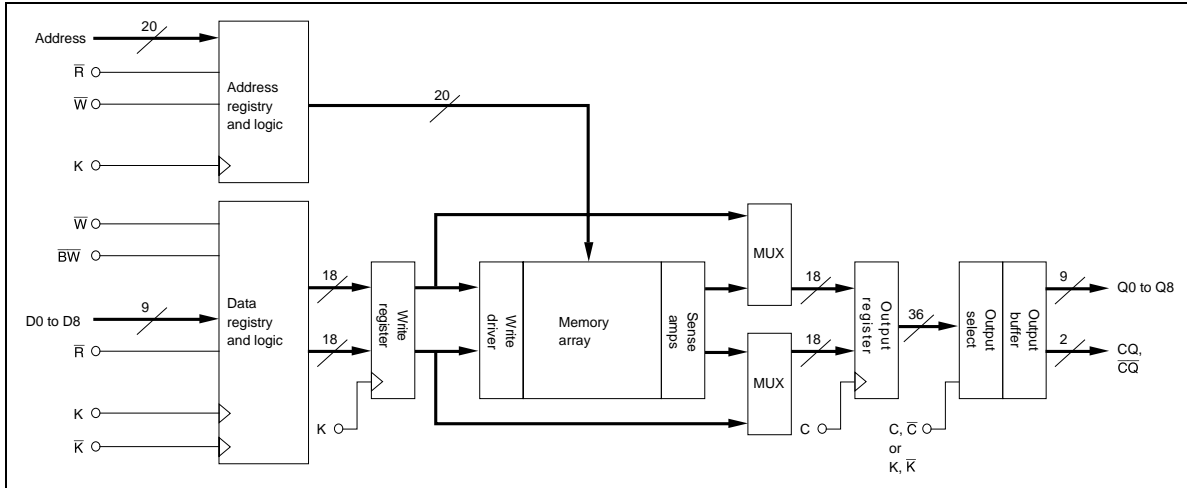


Block Diagram (HM66AQB18204)

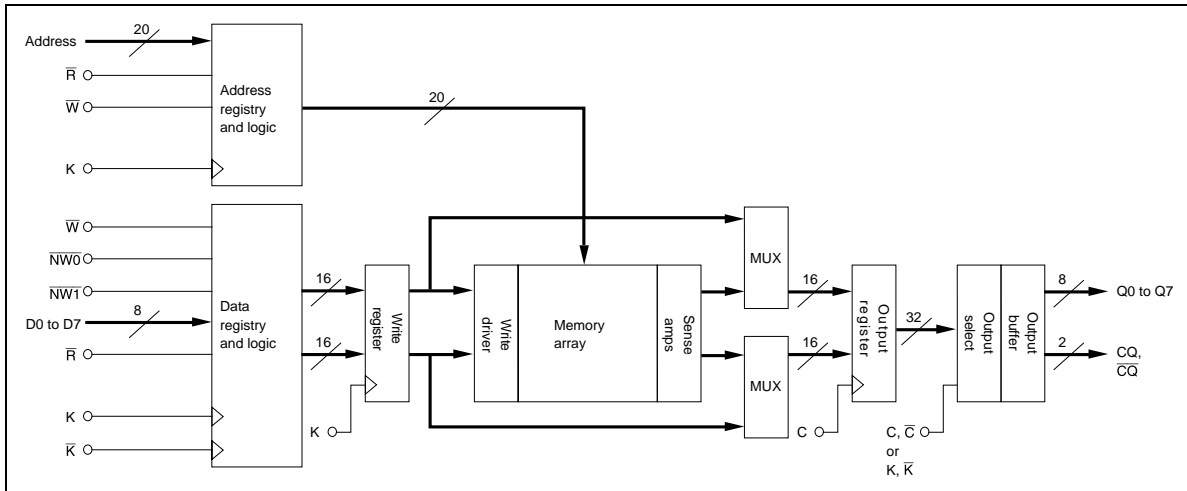


HM66AQB36104/18204/9404/8404

Block Diagram (HM66AQB9404)



Block Diagram (HM66AQB8404)



Truth Table

Operation	K	\bar{R}	\bar{W}	D or Q				
WRITE cycle	L→H	H ⁷	L ⁸	Data in				
Load address, input write data on two consecutive K and \bar{K} rising edges				Input data	$D_A(A+0)$	$D_A(A+1)$	$D_A(A+2)$	$D_A(A+3)$
				Input clock	$K(t+1)\uparrow$	$\bar{K}(t+1)\uparrow$	$K(t+2)\uparrow$	$\bar{K}(t+2)\uparrow$
READ cycle	L→H	L ⁸	×	Data out				
Load address, read data on two consecutive C and \bar{C} rising edges				Output data	$Q_A(A+0)$	$Q_A(A+1)$	$Q_A(A+2)$	$Q_A(A+3)$
				Output clock	$\bar{C}(t+1)\uparrow$	$C(t+2)\uparrow$	$\bar{C}(t+2)\uparrow$	$C(t+3)\uparrow$
NOP (No operation)	L→H	H	H	D = × or Q = High-Z				
STANDBY (Clock stopped)	Stopped	×	×	Previous state				

- Notes:
1. H: high level, L: low level, ×: don't care, \uparrow : rising edge.
 2. Data inputs are registered at K and \bar{K} rising edges. Data outputs are delivered at C and \bar{C} rising edges, except if C and \bar{C} are high, then data outputs are delivered at K and \bar{K} rising edges.
 3. \bar{R} and \bar{W} must meet setup/hold times around the rising edges (low to high) of K and are registered at the rising edge of K.
 4. This device contains circuitry that will ensure the outputs will be in high-Z during power-up.
 5. Refer to state diagram and timing diagrams for clarification.
 6. It is recommended that $(K) = /(\bar{K}) = (C) = /(\bar{C})$ when clock is stopped. This is not essential, but permits most rapid restart by overcoming transmission line charging symmetrically.
 7. If this signal was low to initiate the previous cycle, this signal becomes a "don't care" for this operation; however, it is strongly recommended that this signal be brought high, as shown in the truth table.
 8. This signal was high on previous K clock rising edge. Initiating consecutive READ or WRITE operations on consecutive K clock rising edges is not permitted. The device will ignore the second request.

HM66AQB36104/18204/9404/8404

Byte Write Truth Table

(HM66AQB36104)

Operation	K	\bar{K}	$\overline{BW0}$	$\overline{BW1}$	$\overline{BW2}$	$\overline{BW3}$
Write D0 to D35	L→H	—	0	0	0	0
	—	L→H	0	0	0	0
Write D0 to D8	L→H	—	0	1	1	1
	—	L→H	0	1	1	1
Write D9 to D17	L→H	—	1	0	1	1
	—	L→H	1	0	1	1
Write D18 to D26	L→H	—	1	1	0	1
	—	L→H	1	1	0	1
Write D27 to D35	L→H	—	1	1	1	0
	—	L→H	1	1	1	0
Write nothing	L→H	—	1	1	1	1
	—	L→H	1	1	1	1

Notes: 1. H: high level, L: low level, →: rising edge.

2. Assumes a WRITE cycle was initiated. $\overline{BW0}$ to $\overline{BW3}$ can be altered for any portion of the BURST WRITE operation provided that the setup and hold requirements are satisfied.

(HM66AQB18204)

Operation	K	\bar{K}	$\overline{BW0}$	$\overline{BW1}$
Write D0 to D17	L→H	—	0	0
	—	L→H	0	0
Write D0 to D8	L→H	—	0	1
	—	L→H	0	1
Write D9 to D17	L→H	—	1	0
	—	L→H	1	0
Write nothing	L→H	—	1	1
	—	L→H	1	1

Notes: 1. H: high level, L: low level, →: rising edge.

2. Assumes a WRITE cycle was initiated. $\overline{BW0}$ and $\overline{BW1}$ can be altered for any portion of the BURST WRITE operation provided that the setup and hold requirements are satisfied.

HM66AQB36104/18204/9404/8404

(HM66AQB9404)

Operation	K	\bar{K}	\overline{BW}
Write D0 to D8	L→H	—	0
	—	L→H	0
Write nothing	L→H	—	1
	—	L→H	1

Notes: 1. H: high level, L: low level, →: rising edge.

2. Assumes a WRITE cycle was initiated. \overline{BW} can be altered for any portion of the BURST WRITE operation provided that the setup and hold requirements are satisfied.

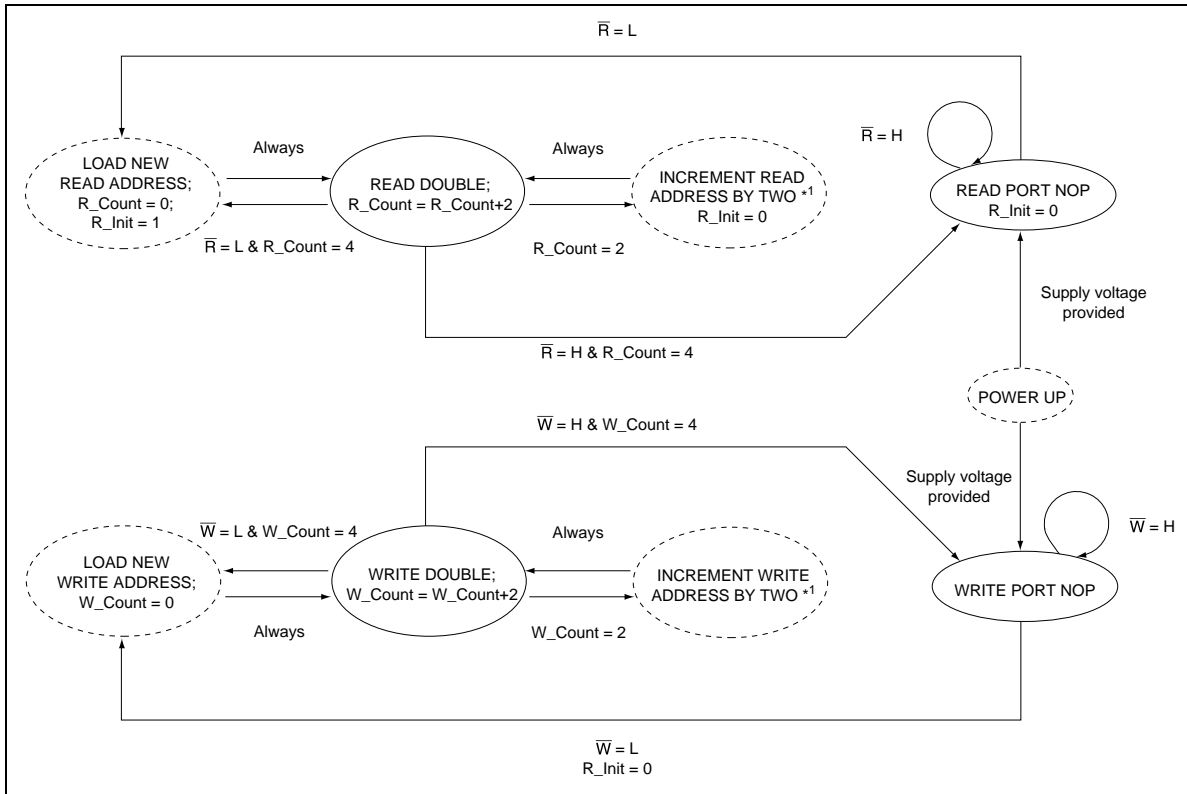
(HM66AQB8404)

Operation	K	\bar{K}	$\overline{NW0}$	$\overline{NW1}$
Write D0 to D7	L→H	—	0	0
	—	L→H	0	0
Write D0 to D3	L→H	—	0	1
	—	L→H	0	1
Write D4 to D7	L→H	—	1	0
	—	L→H	1	0
Write nothing	L→H	—	1	1
	—	L→H	1	1

Notes: 1. H: high level, L: low level, →: rising edge.

2. Assumes a WRITE cycle was initiated. $\overline{NW0}$ and $\overline{NW1}$ can be altered for any portion of the BURST WRITE operation provided that the setup and hold requirements are satisfied.

Bus Cycle State Diagram



- Notes:
1. The address is concatenated with two additional internal LSBs to facilitate burst operation. The address order is always fixed as: xxx...xxx+0, xxx...xxx+1, xxx...xxx+2, xxx...xxx+3. Bus cycle is terminated at the end of this sequence (burst count = 4).
 2. Read and write state machines can be active simultaneously. Read and write cannot be simultaneously initiated. Read takes precedence.
 3. State machine control timing is controlled by K.

Absolute Maximum Ratings

Parameter	Symbol	Rating	Unit	Notes
Input voltage on any ball	V_{IN}	-0.5 to $V_{DD} + 0.5$ (2.9 V max.)	V	1, 4
Input/output voltage	$V_{I/O}$	-0.5 to $V_{DDQ} + 0.5$ (2.9 V max.)	V	1, 4
Core supply voltage	V_{DD}	-0.5 to 2.9	V	1, 4
Output supply voltage	V_{DDQ}	-0.5 to V_{DD}	V	1, 4
Junction temperature	T_j	+125 (max)	°C	
Storage temperature	T_{STG}	-55 to +125	°C	

- Notes:
1. All voltage is referenced to V_{SS} .
 2. Permanent device damage may occur if Absolute Maximum Ratings are exceeded. Functional operation should be restricted the Operation Conditions. Exposure to higher than recommended voltages for extended periods of time could affect device reliability.
 3. These CMOS memory circuits have been designed to meet the DC and AC specifications shown in the tables after thermal equilibrium has been established.
 4. The following supply voltage application sequence is recommended: V_{SS} , V_{DD} , V_{DDQ} , V_{REF} then V_{IN} . Remember, according to the Absolute Maximum Ratings table, V_{DDQ} is not to exceed 2.9 V, whatever the instantaneous value of V_{DDQ} .

Recommended DC Operating Conditions ($T_a = 0$ to $+70^\circ\text{C}$)

Parameter	Symbol	Min	Typ	Max	Unit	Notes
Power supply voltage -- core	V_{DD}	1.7	1.8	1.9	V	
Power supply voltage -- I/O	V_{DDQ}	1.4	1.5	V_{DD}	V	
Input reference voltage -- I/O	V_{REF}	0.68	0.75	0.95	V	1
Input high voltage	$V_{IH(DC)}$	$V_{REF} + 0.1$	—	$V_{DDQ} + 0.3$	V	2, 3
Input low voltage	$V_{IL(DC)}$	-0.3	—	$V_{REF} - 0.1$	V	2, 3

- Notes:
1. Peak to peak AC component superimposed on V_{REF} may not exceed 5% of V_{REF} .
 2. $V_{REF} = 0.75$ V (typ).
 3. Overshoot: $V_{IH(AC)} \leq V_{DD} + 0.7$ V for $t \leq t_{KHKH}/2$
 Undershoot: $V_{IL(AC)} \geq -0.5$ V for $t \leq t_{KHKH}/2$
 Power-up: $V_{IH} \leq V_{DDQ} + 0.3$ V and $V_{DD} \leq 1.7$ V and $V_{DDQ} \leq 1.4$ V for $t \leq 200$ ms
 During normal operation, V_{DDQ} must not exceed V_{DD} .
 Control input signals may not have pulse widths less than t_{KHKL} (min) or operate at cycle rates less than t_{KHKH} (min).

HM66AQB36104/18204/9404/8404

DC Characteristics ($T_a = 0$ to $+70^\circ\text{C}$, $V_{DD} = 1.8 \text{ V} \pm 0.1 \text{ V}$)

Parameter	Symbol	Typ	HM66AQB36104/HM66AQB18204 HM66AQB9404/HM66AQB8404					Unit	Notes
			-30	-33	-40	-50	-60		
			Max						
Operating supply current (READ / WRITE)	$(\times 8 / \times 9 / \times 18) I_{DD}$	TBD	525	475	400	330	280	mA	
	$(\times 36) I_{DD}$	TBD	710	640	545	445	380	mA	
Standby supply current (NOP)	$(\times 8 / \times 9 / \times 18) I_{SB1}$	TBD	255	235	200	170	145	mA	
	$(\times 36) I_{SB1}$	TBD	265	245	210	180	155	mA	

- Notes:
- All inputs (except ZQ, V_{REF}) are held at either V_{IH} or V_{IL} .
 - $I_{OUT} = 0 \text{ mA}$. $V_{DD} = V_{DD} \text{ max}$, $t_{KHKH} = t_{KHKH} \text{ min}$.
 - Typical values are measured at $V_{DD} = 1.8 \text{ V}$, $V_{DDQ} = 1.5 \text{ V}$, $T_a = +25^\circ\text{C}$, and $t_{KHKH} = 6 \text{ ns}$.
 - Operating supply currents are measured at 100% bus utilization.
 - NOP currents are valid when entering NOP after all pending READ and WRITE cycles are completed.

Parameter	Symbol	Min	Max	Unit	Test conditions	Notes
Input leakage current	I_{LI}	-2	2	μA		8
Output leakage current	I_{LO}	-2	2	μA		9
Output high voltage (Low)	V_{OH}	$V_{DDQ} - 0.2$	V_{DDQ}	V	$ I_{OH} \leq 0.1 \text{ mA}$	3, 4
	V_{OH}	$V_{DDQ}/2 - 0.08$	$V_{DDQ}/2 + 0.08$	V	Notes1	3, 4
Output low voltage (Low)	V_{OL}	V_{SS}	0.2	V	$I_{OL} \leq 0.1 \text{ mA}$	3, 4
	V_{OL}	$V_{DDQ}/2 - 0.08$	$V_{DDQ}/2 + 0.08$	V	Notes2	3, 4
Output "High" current	I_{OH}	$(V_{DDQ}/2)/(RQ/5 + 10\%)$	$(V_{DDQ}/2)/(RQ/5 - 10\%)$	mA		5, 7
Output "Low" current	I_{OL}	$(V_{DDQ}/2)/(RQ/5 - 10\%)$	$(V_{DDQ}/2)/(RQ/5 + 10\%)$	mA		6, 7

HM66AQB36104/18204/9404/8404

- Notes:
1. Outputs are impedance-controlled. $|I_{OH}| = (V_{DDQ}/2)/(RQ/5)$ for values of $175 \Omega \leq RQ \leq 350 \Omega$.
 2. Outputs are impedance-controlled. $I_{OL} = (V_{DDQ}/2)/(RQ/5)$ for values of $175 \Omega \leq RQ \leq 350 \Omega$.
 3. AC load current is higher than the shown DC values. AC I/O curves are available upon request.
 4. HSTL outputs meet JEDEC HSTL Class I and Class II standards.
 5. Measured at $V_{OH} = V_{DDQ}/2$
 6. Measured at $V_{OL} = V_{DDQ}/2$
 7. Output buffer impedance can be programmed by terminating the ZQ ball to V_{SS} through a precision resistor (RQ). The value of RQ is five times the output impedance desired. The allowable range of RQ to guarantee impedance matching with a tolerance of 10% is 250Ω typical. The total external capacitance of ZQ ball must be less than 7.5 pF.
 8. $0 \leq V_{IN} \leq V_{DDQ}$ for all input balls (except V_{REF} , ZQ ball)
 9. $0 \leq V_{OUT} \leq V_{DDQ}$, output disabled.
 10. $V_{DDQ} = 1.5 V \pm 0.1 V$

Capacitance (Ta = +25°C, f = 1.0 MHz, V_{DD} = 1.8 V)

Parameter	Symbol	Min	Typ	Max	Unit	Test conditions
Input capacitance	C _{IN}	—	4	5	pF	V _{IN} = 0 V
Clock input capacitance	C _{CLK}	—	5	6	pF	V _{CLK} = 0 V
Input/output capacitance (D, Q)	C _{I/O}	—	6	7	pF	V _{I/O} = 0 V

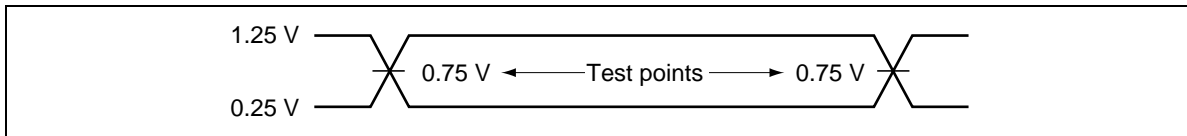
- Notes:
1. These parameters are sampled and not 100% tested.
 2. Parameters tested with RQ = 250 Ω and V_{DDQ} = 1.5 V.

HM66AQB36104/18204/9404/8404

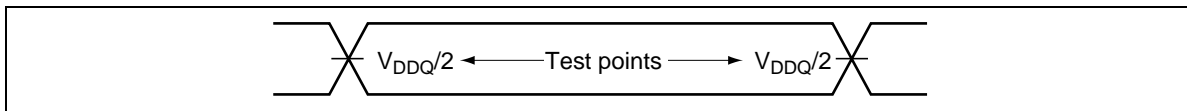
AC Characteristics ($T_a = 0$ to $+70^\circ\text{C}$, $V_{DD} = 1.8\text{ V} \pm 0.1\text{ V}$)

Test Conditions

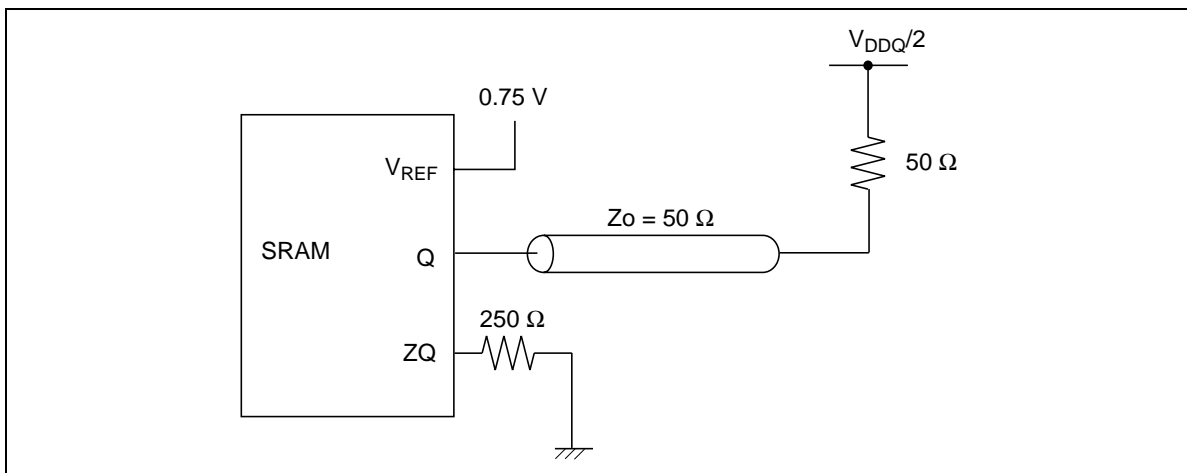
Input waveform (Rise/fall time $\leq 0.3\text{ ns}$)



Output waveform



Output load condition



HM66AQB36104/18204/9404/8404

Operating Conditions

Parameter	Symbol	Min	Typ	Max	Unit	Notes
Input high voltage	$V_{IH(AC)}$	$V_{REF} + 0.2$	—	—	V	1, 2, 3
Input low voltage	$V_{IL(AC)}$	—	—	$V_{REF} - 0.2$	V	1, 2, 3

- Notes:
1. All voltages referenced to V_{SS} (GND).
 2. Overshoot: $V_{IH(AC)} \leq V_{DD} + 0.7$ V for $t \leq t_{KHKL}/2$
 Undershoot: $V_{IL(AC)} \geq -0.5$ V for $t \leq t_{KHKL}/2$
 Power-up: $V_{IH} \leq V_{DDQ} + 0.3$ V and $V_{DD} \leq 1.7$ V and $V_{DDQ} \leq 1.4$ V for $t \leq 200$ ms
 During normal operation, V_{DDQ} must not exceed V_{DD} . \overline{R} and \overline{W} signals may not have pulse widths less than t_{KHKL} (min) or operate at cycle rates less than t_{KHKL} (min).
 3. To maintain a valid level, the transitioning edge of the input must:
 - a. Sustain a constant slew rate from the current AC level through the target AC level, $V_{IL(AC)}$ or $V_{IH(AC)}$.
 - b. Reach at least the target AC level.
 - c. After the AC target level is reached, continue to maintain at least the target DC level, $V_{IL(DC)}$ or $V_{IH(DC)}$.

HM66AQB36104/18204/9404/8404

		HM66AQB36104/HM66AQB18204 HM66AQB9404/HM66AQB8404											
		-30		-33		-40		-50		-60			
Parameter	Symbol	Min	Max	Min	Max	Min	Max	Min	Max	Min	Max	Unit	Notes
Average clock cycle time (K, \bar{K} , C, \bar{C})	t_{KHKH}	3.00	3.47	3.30	4.20	4.00	5.25	5.00	6.30	6.00	7.88	ns	
Clock phase jitter (K, \bar{K} , C, \bar{C})	$t_{KC\ var}$	—	0.20	—	0.20	—	0.20	—	0.20	—	0.20	ns	3
Clock high time (K, \bar{K} , C, \bar{C})	t_{KHKL}	1.20	—	1.32	—	1.60	—	2.00	—	2.40	—	ns	
Clock low time (K, \bar{K} , C, \bar{C})	t_{KLKH}	1.20	—	1.32	—	1.60	—	2.00	—	2.40	—	ns	
Clock to \bar{C} clock (K to \bar{K} , C to \bar{C})	$t_{KH/KH}$	1.35	—	1.49	—	1.80	—	2.20	—	2.70	—	ns	
Clock to clock (\bar{K} to K, \bar{C} to C)	$t_{/KHKH}$	1.35	—	1.49	—	1.80	—	2.20	—	2.70	—	ns	
Clock to data clock (K to C, \bar{K} to \bar{C})	t_{KHCH}	0	1.30	0	1.45	0	1.80	0	2.30	0	2.80	ns	
DLL lock time (K, C)	$t_{KC\ lock}$	1,024	—	1,024	—	1,024	—	1,024	—	1,024	—	Cycle	2
K static to DLL reset	$t_{KC\ reset}$	30	—	30	—	30	—	30	—	30	—	ns	
C, \bar{C} high to output valid	t_{CHQV}	—	0.45	—	0.45	—	0.45	—	0.45	—	0.50	ns	
C, \bar{C} high to output hold	t_{CHQX}	-0.45	—	-0.45	—	-0.45	—	-0.45	—	-0.50	—	ns	
C, \bar{C} high to echo clock valid	t_{CHCQV}	—	0.45	—	0.45	—	0.45	—	0.45	—	0.50	ns	
C, \bar{C} high to echo clock hold	t_{CHCQX}	-0.45	—	-0.45	—	-0.45	—	-0.45	—	-0.50	—	ns	
CQ, \bar{CQ} high to output valid	t_{CQHQV}	—	0.25	—	0.27	—	0.30	—	0.35	—	0.40	ns	4
CQ, \bar{CQ} high to output hold	t_{CQHQX}	-0.25	—	-0.27	—	-0.30	—	-0.35	—	-0.40	—	ns	4
C high to output high-Z	t_{CHQZ}	—	0.45	—	0.45	—	0.45	—	0.45	—	0.50	ns	5
C high to output low-Z	t_{CHQX1}	-0.45	—	-0.45	—	-0.45	—	-0.45	—	-0.50	—	ns	5

HM66AQB36104/18204/9404/8404

HM66AQB36104/HM66AQB18204 HM66AQB9404/HM66AQB8404

Parameter	Symbol	-30		-33		-40		-50		-60		Unit	Notes
		Min	Max	Min	Max	Min	Max	Min	Max	Min	Max		
Address valid to K rising edge	t_{AVKH}	0.40	—	0.40	—	0.50	—	0.60	—	0.70	—	ns	1
Control inputs valid to K rising edge	t_{IVKH}	0.40	—	0.40	—	0.50	—	0.60	—	0.70	—	ns	1
Data-in valid to K, \bar{K} rising edge	t_{DVKH}	0.28	—	0.30	—	0.35	—	0.40	—	0.50	—	ns	1
K rising edge to address hold	t_{KHAX}	0.40	—	0.40	—	0.50	—	0.60	—	0.70	—	ns	1
K rising edge to control inputs hold	t_{KHIX}	0.40	—	0.40	—	0.50	—	0.60	—	0.70	—	ns	1
K, \bar{K} rising edge to data-in hold	t_{KHDX}	0.28	—	0.30	—	0.35	—	0.40	—	0.50	—	ns	1

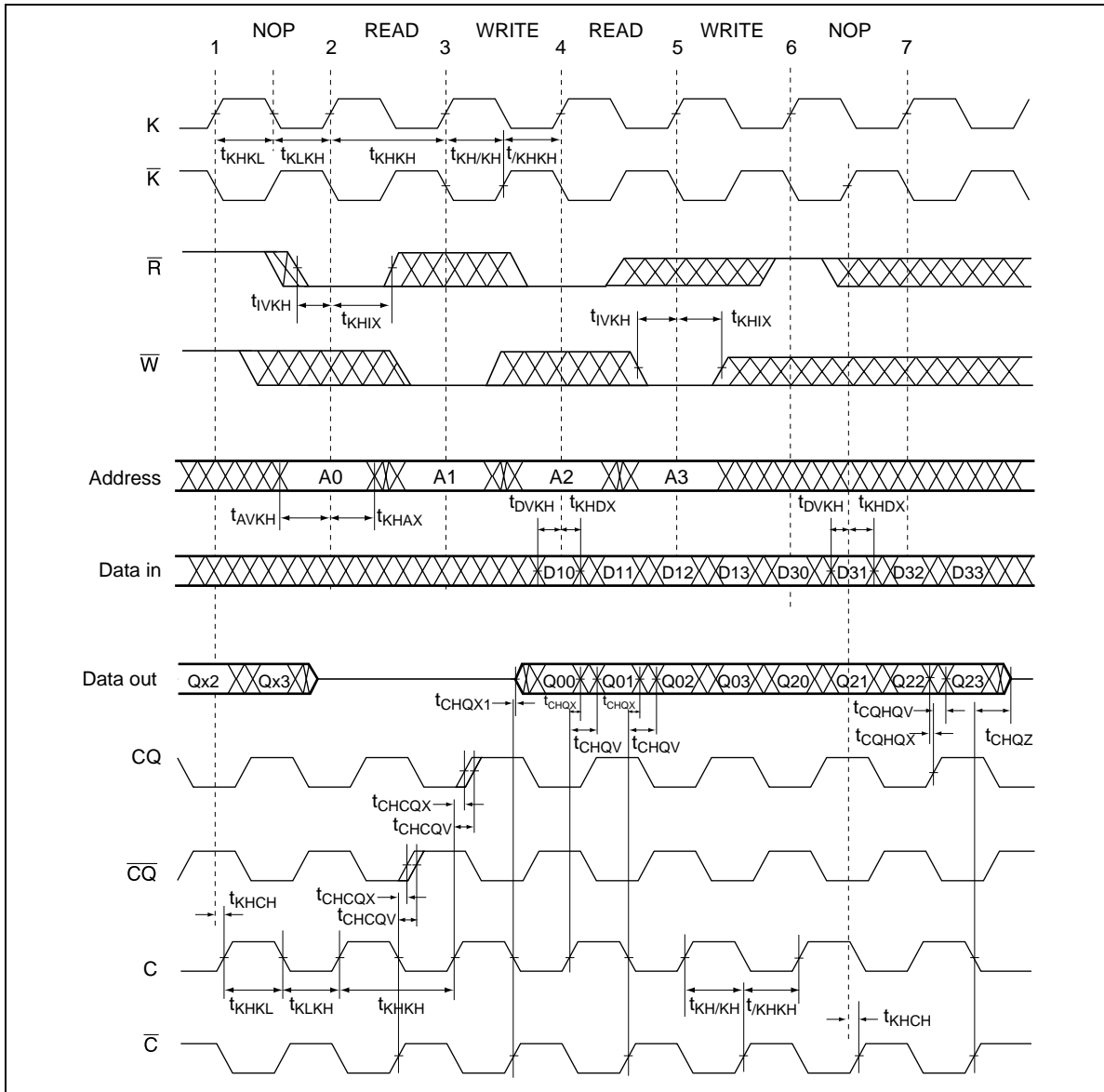
- Notes:
1. This is a synchronous device. All addresses, data and control lines must meet the specified setup and hold times for all latching clock edges.
 2. V_{DD} slew rate must be less than 0.1 V DC per 50 ns for DLL lock retention. DLL lock time begins once V_{DD} and input clock are stable. It is recommended that the device is kept inactive during these cycles.
 3. Clock phase jitter is the variance from clock rising edge to the next expected clock rising edge.
 4. Echo clock is very tightly controlled to data valid / data hold. By design, there is a ± 0.1 ns variation from echo clock to data. The datasheet parameters reflect tester guardbands and test setup variations.
 5. Transitions are measured ± 100 mV from steady-state voltage.
 6. At any given voltage and temperature t_{CHQZ} is less than t_{CHQX1} and t_{CHQZ} is less than t_{CHQV} .

- Remarks:
1. This parameter is sampled.
 2. Test conditions as specified with the output loading as shown in AC Test Conditions unless otherwise noted.
 3. Control input signals may not be operated with pulse widths less than t_{KHKL} (min).
 4. If C, \bar{C} are tied high, K, \bar{K} become the references for C, \bar{C} timing parameters.
 5. V_{DDQ} is +1.5 V DC.

HM66AQB36104/18204/9404/8404

Timing Waveforms

Read and Write Timing



- Notes:
1. Q00 refers to output from address A0 + 0. Q01 refers to output from the next internal burst address following A0, i.e., A0 + 1.
 2. Outputs are disable (high-Z) one clock cycle after a NOP.
 3. In this example, if address A2 = A1, then data Q20 = D10, Q21 = D11. Write data is forwarded immediately as read results.

JTAG Specification

These products support a limited set of JTAG functions as in IEEE standard 1149.1.

Disabling the Test Access Port

It is possible to use this device without utilizing the TAP. To disable the TAP controller without interfering with normal operation of the device, TCK must be tied to V_{SS} to preclude mid level inputs.

TDI and TMS are designed so an undriven input will produce a response identical to the application of a logic 1, and may be left unconnected. But they may also be tied to V_{DD} through a 1k Ω resistor.

TDO should be left unconnected.

Test Access Port (TAP) Pins

Symbol I/O	Pin assignments	Description
TCK	2R	Test clock input. All inputs are captured on the rising edge of TCK and all outputs propagate from the falling edge of TCK.
TMS	10R	Test mode select. This is the command input for the TAP controller state machine.
TDI	11R	Test data input. This is the input side of the serial registers placed between TDI and TDO. The register placed between TDI and TDO is determined by the state of the TAP controller state machine and the instruction that is currently loaded in the TAP instruction.
TDO	1R	Test data output. Output changes in response to the falling edge of TCK. This is the output side of the serial registers placed between TDI and TDO.

Note: The device does not have TRST (TAP reset). The Test-Logic Reset state is entered while TMS is held high for five rising edges of TCK. The TAP controller state is also reset on SRAM POWER-UP.

HM66AQB36104/18204/9404/8404

TAP DC Operating Characteristics ($T_a = 0$ to $+70^\circ\text{C}$, $V_{DD} = 1.8 \text{ V} \pm 0.1 \text{ V}$)

Parameter	Symbol	Min	Max	Unit	Conditions
Input high voltage	V_{IH}	1.3	$V_{DD} + 0.3$	V	
Input low voltage	V_{IL}	-0.3	+0.5	V	
Input leakage current	I_{LI}	-5.0	+5.0	μA	$0 \text{ V} \leq V_{IN} \leq V_{DD}$
Output leakage current	I_{LO}	-5.0	+5.0	μA	$0 \text{ V} \leq V_{IN} \leq V_{DD}$, output disabled
Output low voltage	V_{OL1}	—	0.2	V	$I_{OLC} = 100 \mu\text{A}$
	V_{OL2}	—	0.4	V	$I_{OLT} = 2 \text{ mA}$
Output high voltage	V_{OH1}	1.6	—	V	$ I_{OHC} = 100 \mu\text{A}$
	V_{OH2}	1.4	—	V	$ I_{OHT} = 2 \text{ mA}$

Notes: 1. All voltages referenced to V_{SS} (GND).

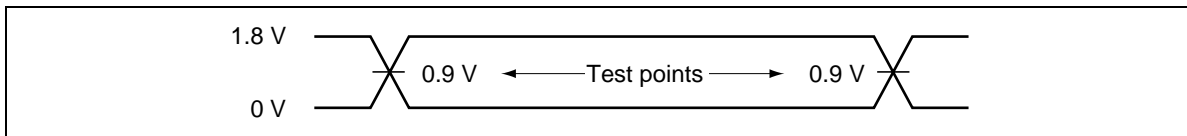
2. Power-up: $V_{IH} \leq V_{DDQ} + 0.3 \text{ V}$ and $V_{DD} \leq +1.7 \text{ V}$ and $V_{DDQ} \leq +1.4 \text{ V}$ for $t \leq 200 \text{ ms}$

3. In "EXTTEST" mode and "SAMPLE" mode, V_{DDQ} is nominally 1.5 V.

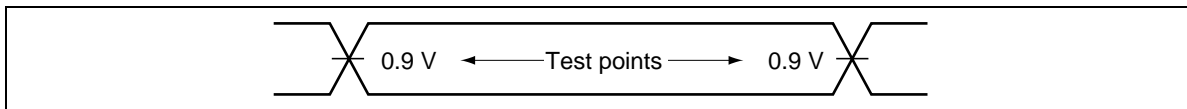
TAP AC Test Condition

- Temperature $0^{\circ}\text{C} \leq T_a \leq +70^{\circ}\text{C}$
- Input timing measurement reference levels 0.9 V
- Input pulse levels 0 V to 1.8 V
- Input rise/fall time $\leq 1.0 \text{ ns}$
- Output timing measurement reference levels 0.9 V
- Test load termination supply voltage (V_{TT}) 0.9 V
- Output load See figures

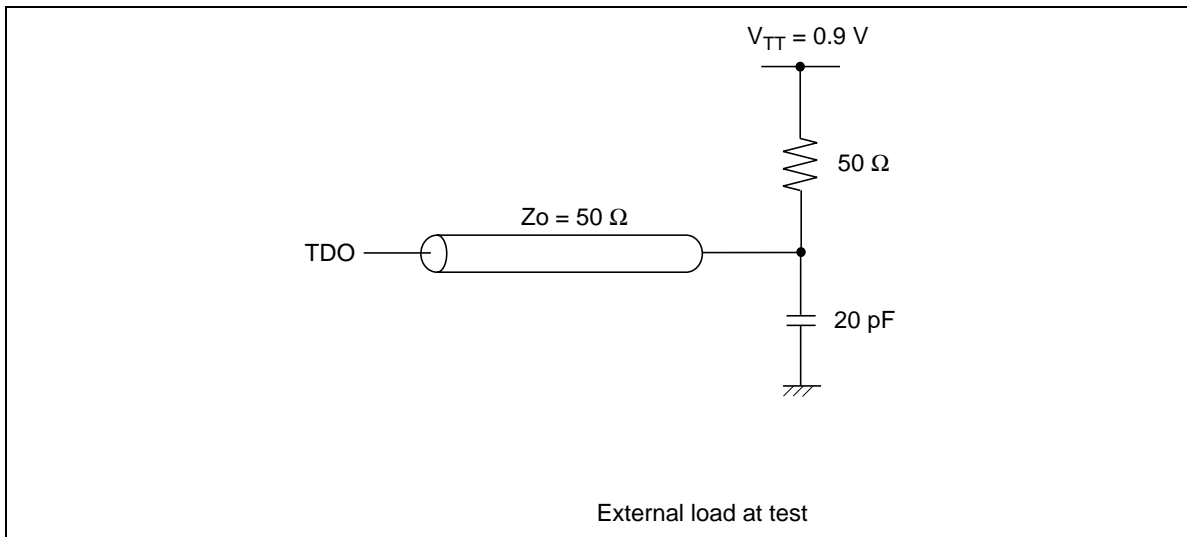
Input waveform



Output waveform



Output load



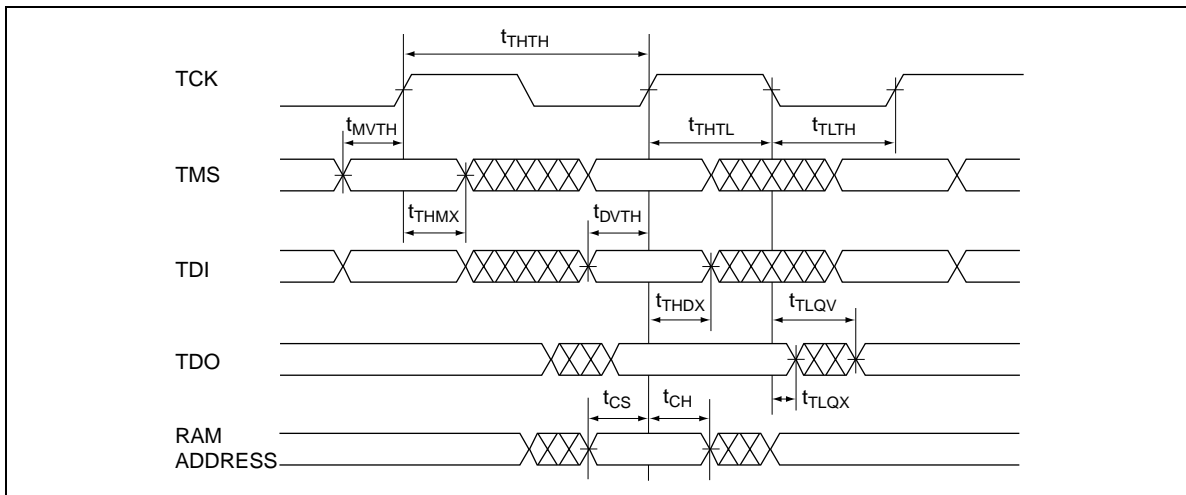
HM66AQB36104/18204/9404/8404

TAP AC Operating Characteristics ($T_a = 0$ to $+70^\circ\text{C}$, $V_{DD} = 1.8\text{ V} \pm 0.1\text{ V}$)

Parameter	Symbol	Min	Max	Unit	Note
Test clock cycle time	t_{THTH}	100	—	ns	
Test clock high pulse width	t_{THTL}	40	—	ns	
Test clock low pulse width	t_{TLTH}	40	—	ns	
Test mode select setup	t_{MVTH}	10	—	ns	
Test mode select hold	t_{THMX}	10	—	ns	
Capture setup	t_{CS}	10	—	ns	1
Capture hold	t_{CH}	10	—	ns	1
TDI valid to TCK high	t_{DVTH}	10	—	ns	
TCK high to TDI invalid	t_{THDX}	10	—	ns	
TCK low to TDO unknown	t_{TLQX}	0	—	ns	
TCK low to TDO valid	t_{TLQV}	—	20	ns	

Note: 1. $t_{\text{CS}} + t_{\text{CH}}$ defines the minimum pause in RAM I/O pad transitions to assure pad data capture.

TAP Controller Timing Diagram



Test Access Port Registers

Register name	Length	Symbol
Instruction register	3 bits	IR [2:0]
Bypass register	1 bit	BP
ID register	32 bits	ID [31:0]
Boundary scan register	109 bits	BS [109:1]

TAP Controller Instruction Set

IR2	IR1	IR0	Instruction	Description	Notes
0	0	0	EXTEST	The EXTEST instruction allows circuitry external to the component package to be tested. Boundary scan register cells at output balls are used to apply test vectors, while those at input balls capture test results. Typically, the first test vector to be applied using the EXTEST instruction will be shifted into the boundary scan register using the PRELOAD instruction. Thus, during the Update-IR state of EXTEST, the output drive is turned on and the PRELOAD data is driven onto the output balls.	1, 2
0	0	1	IDCODE	The IDCODE instruction causes the ID ROM to be loaded into the ID register when the controller is in capture-DR mode and places the ID register between the TDI and TDO balls in shift-DR mode. The IDCODE instruction is the default instruction loaded in at power up and any time the controller is placed in the Test-Logic-Reset state.	
0	1	0	SAMPLE-Z	If the SAMPLE-Z instruction is loaded in the instruction register, all RAM outputs are forced to an inactive drive state (high-Z, except CQ, CQ ball) and the boundary register is connected between TDI and TDO when the TAP controller is moved to the shift-DR state.	
0	1	1	RESERVED	These instructions are not implemented but are reserved for future use. Do not use these instructions.	
1	0	0	SAMPLE (-PRELOAD)	When the SAMPLE instruction is loaded in the instruction register, moving the TAP controller into the capture-DR state loads the data in the RAMs input and I/O buffers into the boundary scan register. Because the RAM clock(s) are independent from the TAP clock (TCK) it is possible for the TAP to attempt to capture the I/O ring contents while the input buffers are in transition (i.e., in a metastable state). Although allowing the TAP to SAMPLE metastable input will not harm the device, repeatable results cannot be expected. RAM input signals must be stabilized for long enough to meet the TAPs input data capture setup plus hold time (t_{cs} plus t_{ch}). The RAMs clock inputs need not be paused for any other TAP operation except capturing the I/O ring contents into the boundary scan register. Moving the controller to shift-DR state then places the boundary scan register between the TDI and TDO balls.	
1	0	1	RESERVED		
1	1	0	RESERVED		
1	1	1	BYPASS	The BYPASS instruction is loaded in the instruction register when the bypass register is placed between TDI and TDO. This occurs when the TAP controller is moved to the shift-DR state. This allows the board level scan path to be shortened to facilitate testing of other devices in the scan path.	

- Notes:
1. Data in output register is not guaranteed if EXTEST instruction is loaded.
 2. After performing EXTEST, power-up conditions are required in order to return part to normal operation.

HM66AQB36104/18204/9404/8404

ID Register

Part	Revision number (31:29)	Type number (28:12)	Vendor JEDEC code (11:1)	Start bit (0)
HM66AQB36104	000	00010011010101010	00000000111	1
HM66AQB18204	000	00010010010101010	00000000111	1
HM66AQB9404	000	00010000010101010	00000000111	1
HM66AQB8404	000	00010001010101010	00000000111	1

HM66AQB36104/18204/9404/8404

Boundary Scan Order

Bit #	Ball ID	Signal names			
		x8	x9	x18	x36
1	6R	\bar{C}	\bar{C}	\bar{C}	\bar{C}
2	6P	C	C	C	C
3	6N	SA	SA	SA	SA
4	7P	SA	SA	SA	SA
5	7N	SA	SA	SA	SA
6	7R	SA	SA	SA	SA
7	8R	SA	SA	SA	SA
8	8P	SA	SA	SA	SA
9	9R	SA	SA	SA	SA
10	11P	NC	Q8	Q0	Q0
11	10P	NC	D8	D0	D0
12	10N	NC	NC	NC	D9
13	9P	NC	NC	NC	Q9
14	10M	NC	NC	Q1	Q1
15	11N	NC	NC	D1	D1
16	9M	NC	NC	NC	D10
17	9N	NC	NC	NC	Q10
18	11L	Q0	Q0	Q2	Q2
19	11M	D0	D0	D2	D2
20	9L	NC	NC	NC	D11
21	10L	NC	NC	NC	Q11
22	11K	NC	NC	Q3	Q3
23	10K	NC	NC	D3	D3
24	9J	NC	NC	NC	D12
25	9K	NC	NC	NC	Q12
26	10J	Q1	Q1	Q4	Q4
27	11J	D1	D1	D4	D4
28	11H	ZQ	ZQ	ZQ	ZQ
29	10G	NC	NC	NC	D13
30	9G	NC	NC	NC	Q13
31	11F	NC	NC	Q5	Q5
32	11G	NC	NC	D5	D5
33	9F	NC	NC	NC	D14
34	10F	NC	NC	NC	Q14
35	11E	Q2	Q2	Q6	Q6

Bit #	Ball ID	Signal names			
		x8	x9	x18	x36
36	10E	D2	D2	D6	D6
37	10D	NC	NC	NC	D15
38	9E	NC	NC	NC	Q15
39	10C	NC	NC	Q7	Q7
40	11D	NC	NC	D7	D7
41	9C	NC	NC	NC	D16
42	9D	NC	NC	NC	Q16
43	11B	Q3	Q3	Q8	Q8
44	11C	D3	D3	D8	D8
45	9B	NC	NC	NC	D17
46	10B	NC	NC	NC	Q17
47	11A	CQ	CQ	CQ	CQ
48	10A	SA	SA	NC	NC
49	9A	SA	SA	SA	SA
50	8B	SA	SA	SA	SA
51	7C	SA	SA	SA	SA
52	6C	NC	NC	NC	NC
53	8A	\bar{R}	\bar{R}	\bar{R}	\bar{R}
54	7A	NC	NC	NC	$\bar{BW1}$
55	7B	$\bar{NW0}$	\bar{BW}	$\bar{BW0}$	$\bar{BW0}$
56	6B	K	K	K	K
57	6A	\bar{K}	\bar{K}	\bar{K}	\bar{K}
58	5B	NC	NC	NC	$\bar{BW3}$
59	5A	$\bar{NW1}$	NC	$\bar{BW1}$	$\bar{BW2}$
60	4A	\bar{W}	\bar{W}	\bar{W}	\bar{W}
61	5C	SA	SA	SA	SA
62	4B	SA	SA	SA	SA
63	3A	SA	SA	SA	NC
64	2A	V_{SS}	V_{SS}	V_{SS}	V_{SS}
65	1A	\bar{CQ}	\bar{CQ}	\bar{CQ}	\bar{CQ}
66	2B	NC	NC	Q9	Q18
67	3B	NC	NC	D9	D18
68	1C	NC	NC	NC	D27
69	1B	NC	NC	NC	Q27
70	3D	NC	NC	Q10	Q19

HM66AQB36104/18204/9404/8404

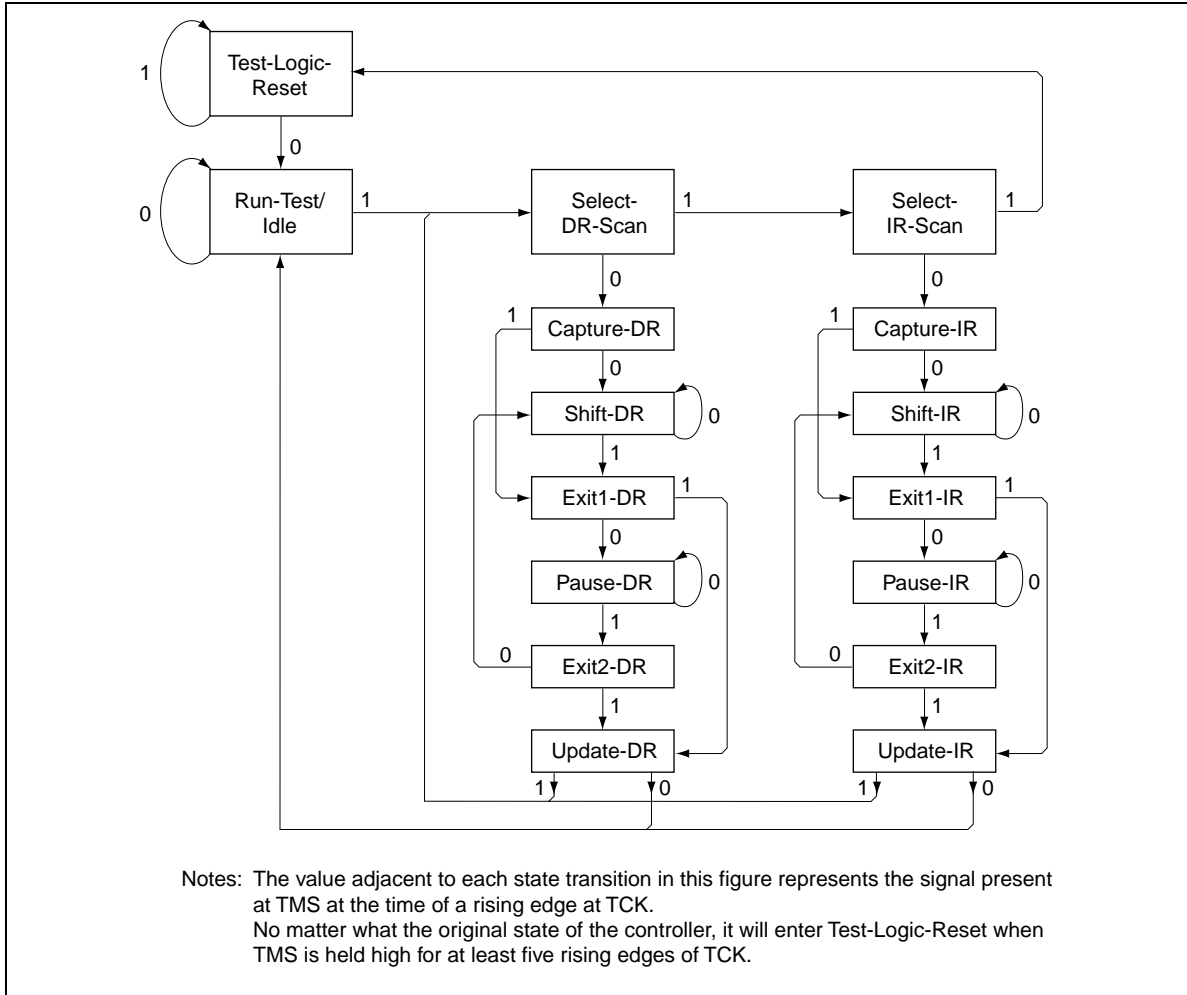
Bit #	Ball ID	Signal names			
		x8	x9	x18	x36
71	3C	NC	NC	D10	D19
72	1D	NC	NC	NC	D28
73	2C	NC	NC	NC	Q28
74	3E	Q4	Q4	Q11	Q20
75	2D	D4	D4	D11	D20
76	2E	NC	NC	NC	D29
77	1E	NC	NC	NC	Q29
78	2F	NC	NC	Q12	Q21
79	3F	NC	NC	D12	D21
80	1G	NC	NC	NC	D30
81	1F	NC	NC	NC	Q30
82	3G	Q5	Q5	Q13	Q22
83	2G	D5	D5	D13	D22
84	1H	DOFF	DOFF	DOFF	DOFF
85	1J	NC	NC	NC	D31
86	2J	NC	NC	NC	Q31
87	3K	NC	NC	Q14	Q23
88	3J	NC	NC	D14	D23
89	2K	NC	NC	NC	D32
90	1K	NC	NC	NC	Q32

Bit #	Ball ID	Signal names			
		x8	x9	x18	x36
91	2L	Q6	Q6	Q15	Q24
92	3L	D6	D6	D15	D24
93	1M	NC	NC	NC	D33
94	1L	NC	NC	NC	Q33
95	3N	NC	NC	Q16	Q25
96	3M	NC	NC	D16	D25
97	1N	NC	NC	NC	D34
98	2M	NC	NC	NC	Q34
99	3P	Q7	Q7	Q17	Q26
100	2N	D7	D7	D17	D26
101	2P	NC	NC	NC	D35
102	1P	NC	NC	NC	Q35
103	3R	SA	SA	SA	SA
104	4R	SA	SA	SA	SA
105	4P	SA	SA	SA	SA
106	5P	SA	SA	SA	SA
107	5N	SA	SA	SA	SA
108	5R	SA	SA	SA	SA
109	—	INTER- NAL	INTER- NAL	INTER- NAL	INTER- NAL

Note: In boundary scan mode,

1. Clock balls (K / \bar{K} , C / \bar{C}) are referenced to each other and must be at opposite logic levels for reliable operation.
2. CQ and \bar{CQ} data are synchronized to the respective C and \bar{C} .
3. If C and \bar{C} tied high, CQ is generated with respect to K and \bar{CQ} is generated with respect to \bar{K} .

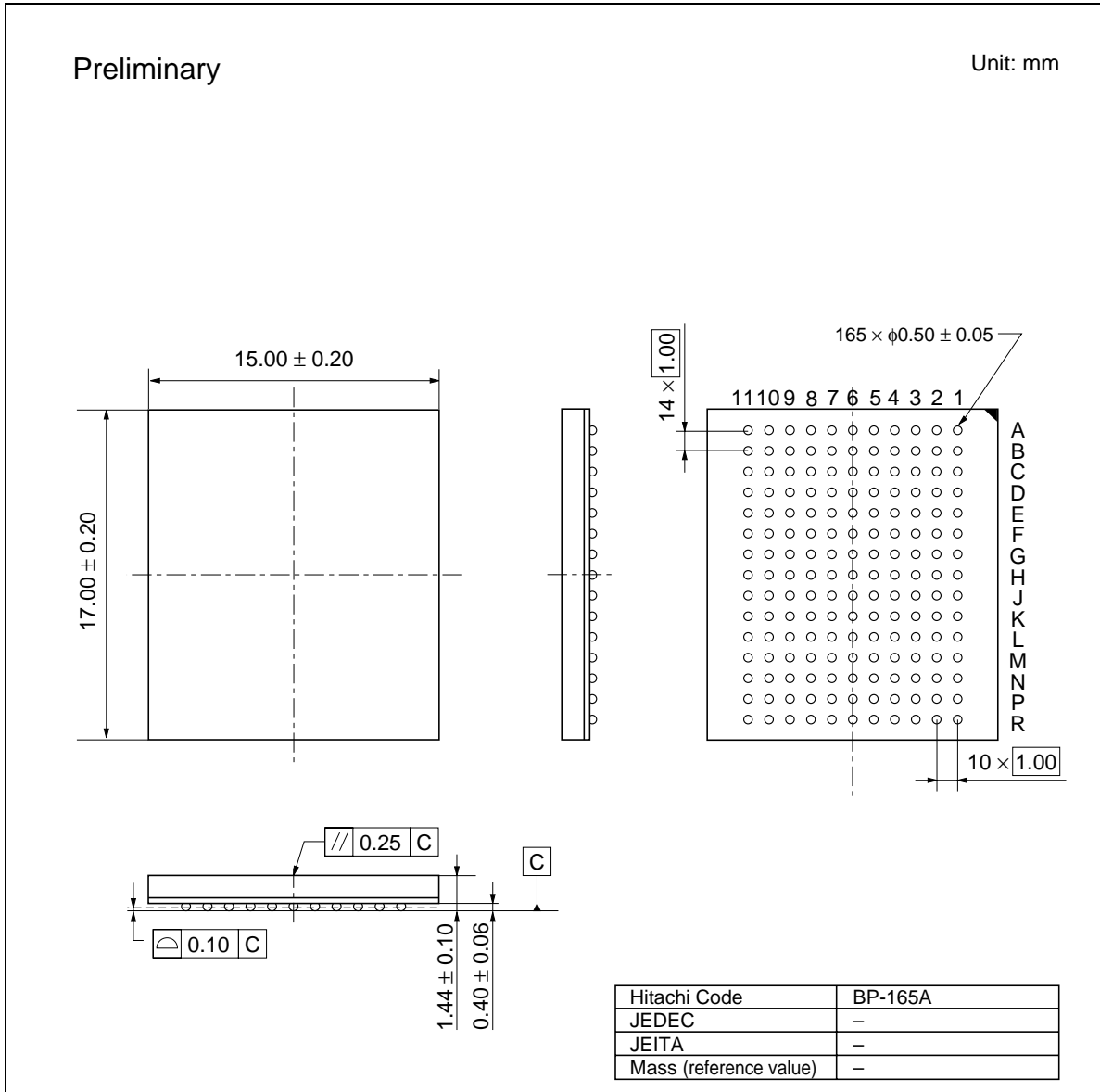
TAP Controller State Diagram



HM66AQB36104/18204/9404/8404

Package Dimensions

HM66AQB36104/18204/9404/8404BP (BP-165A)



Disclaimer

1. Hitachi neither warrants nor grants licenses of any rights of Hitachi's or any third party's patent, copyright, trademark, or other intellectual property rights for information contained in this document. Hitachi bears no responsibility for problems that may arise with third party's rights, including intellectual property rights, in connection with use of the information contained in this document.
2. Products and product specifications may be subject to change without notice. Confirm that you have received the latest product standards or specifications before final design, purchase or use.
3. Hitachi makes every attempt to ensure that its products are of high quality and reliability. However, contact Hitachi's sales office before using the product in an application that demands especially high quality and reliability or where its failure or malfunction may directly threaten human life or cause risk of bodily injury, such as aerospace, aeronautics, nuclear power, combustion control, transportation, traffic, safety equipment or medical equipment for life support.
4. Design your application so that the product is used within the ranges guaranteed by Hitachi particularly for maximum rating, operating supply voltage range, heat radiation characteristics, installation conditions and other characteristics. Hitachi bears no responsibility for failure or damage when used beyond the guaranteed ranges. Even within the guaranteed ranges, consider normally foreseeable failure rates or failure modes in semiconductor devices and employ systemic measures such as fail-safes, so that the equipment incorporating Hitachi product does not cause bodily injury, fire or other consequential damage due to operation of the Hitachi product.
5. This product is not designed to be radiation resistant.
6. No one is permitted to reproduce or duplicate, in any form, the whole or part of this document without written approval from Hitachi.
7. Contact Hitachi's sales office for any questions regarding this document or Hitachi semiconductor products.

Sales Offices

HITACHI

Hitachi, Ltd.

Semiconductor & Integrated Circuits
Nippon Bldg., 2-6-2, Ohte-machi, Chiyoda-ku, Tokyo 100-0004, Japan
Tel: (03) 3270-2111 Fax: (03) 3270-5109

URL <http://www.hitachisemiconductor.com/>

For further information write to:

Hitachi Semiconductor
(America) Inc.
179 East Tasman Drive
San Jose, CA 95134
Tel: <1> (408) 433-1990
Fax: <1>(408) 433-0223

Hitachi Europe Ltd.
Electronic Components Group
Whitebrook Park
Lower Cookham Road
Maidenhead
Berkshire SL6 8YA, United Kingdom
Tel: <44> (1628) 585000
Fax: <44> (1628) 778322

Hitachi Europe GmbH
Electronic Components Group
Dornacher Str 3
D-85622 Feldkirchen
Postfach 201, D-85619 Feldkirchen
Germany
Tel: <49> (89) 9 9180-0
Fax: <49> (89) 9 29 30 00

Hitachi Asia Ltd.
Hitachi Tower
16 Collyer Quay #20-00
Singapore 049318
Tel : <65>-6538-6533/6538-8577
Fax : <65>-6538-6933/6538-3877
URL : <http://semiconductor.hitachi.com.sg>

Hitachi Asia Ltd.
(Taipei Branch Office)
4/F, No. 167, Tun Hwa North Road
Hung-Kuo Building
Taipei (105), Taiwan
Tel : <886>-(2)-2718-3666
Fax : <886>-(2)-2718-8180
Telex : 23222 HAS-TP
URL : <http://semiconductor.hitachi.com.tw>

Hitachi Asia (Hong Kong) Ltd.
Group III (Electronic Components)
7/F., North Tower
World Finance Centre,
Harbour City, Canton Road
Tsim Sha Tsui, Kowloon Hong Kong
Tel : <852>-2735-9218
Fax : <852>-2730-0281
URL : <http://semiconductor.hitachi.com.hk>

Copyright © Hitachi, Ltd., 2002. All rights reserved. Printed in Japan.
Colophon 7.0