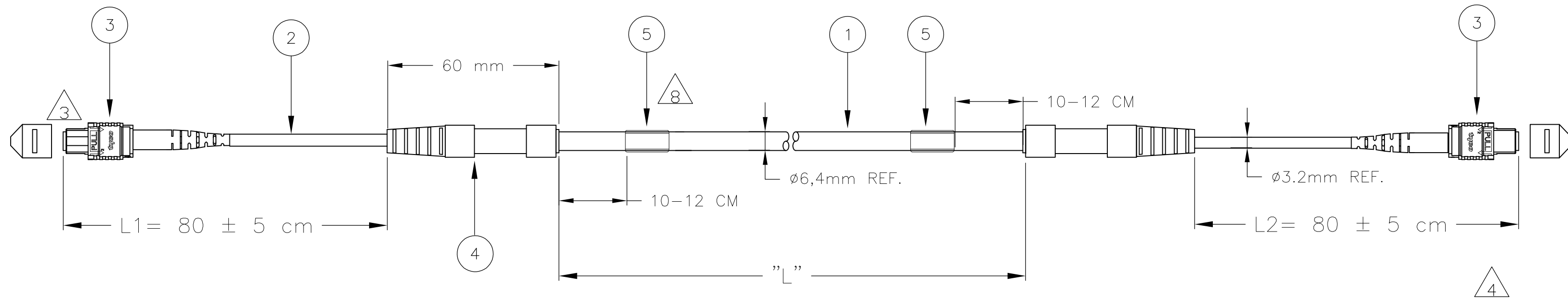


THIS DRAWING IS UNPUBLISHED. RELEASED FOR PUBLICATION
 © COPYRIGHT BY TYCO ELECTRONICS CORPORATION. ALL INTERNATIONAL RIGHTS RESERVED.

LOC	DIST	REVISIONS			
P	LTR	DESCRIPTION	DATE	DWN	APVD
H	-	INITIAL RELEASE	16NOV2008	TvdM	MO

TRUNK LENGTH "L" △2	
PART NUMBER	SEE CUSTOMER DRAWING
X-2055158-Y	2055500



FIBER PATH STRAIGHT A-A / B-B		
MPO		MPO
1	←→	1
2	←→	2
3	←→	3
4	←→	4
5	←→	5
6	←→	6
7	←→	7
8	←→	8
9	←→	9
10	←→	10
11	←→	11
12	←→	12

NOTES:

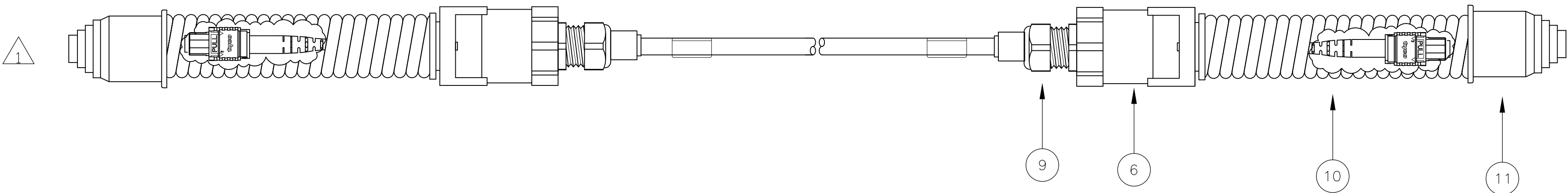
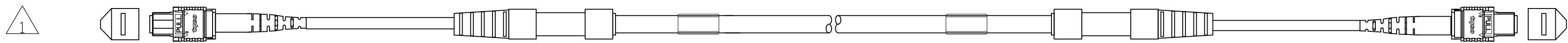
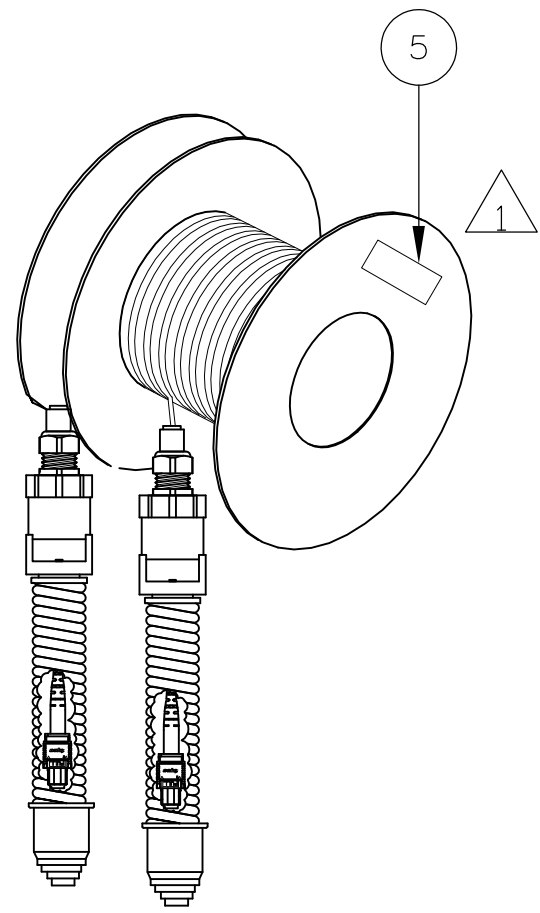
- △1 PACKAGING:
 LENGTHS ≤ 50 METER WILL BE DELIVERED IN A CARTON BOX.
 LENGTHS > 20 meter MUST BE DELIVERED WITH A PROTECTION TUBE ON BOTH SIDES.
 LENGTHS > 50 METER MUST BE DELIVERED ON A REEL AND WITH PROTECTION TUBES ON BOTH SIDES.
 PACKAGE THE WASHER AND THE HEX. NUT IN A SEPERATE PLASTIC BAG AND STICK ON THE ASSEMBLY.
- △2 TOLERANCE LENGTH "L" ACC. TO CUSTOMER DRAWING 2055500
- △3 MARKING ON CONNECTOR HOUSING INDICATES FIBER 1 SIDE
- △4 FIBER PATH A-A / B-B STRAIGHT
- 5 ATTENUATION ≤ 0,5dB, AGAINST REF. LEAD AT 850 nm
- 6 RETURN LOSS > 25dB, AGAINST REF LEAD AT 850 nm
- 7 TEST RESULT SHEET WITH EACH INDIVIDUALLY PACKED ASSEMBLY
- △8 INFORMATION ON LABEL:
 BARCODE
 PART NUMBER & FACTORY ORDER NUMBER
 CABLE LENGTH ("L")
 UNIQUE SERIAL NUMBER
- 9 CABLE INFORMATION :
 CORE DIAMETER: 50/125 OM3
 OUTER CABLE DIAMETER: 6.4 mm
 OUTER CABLE COLOR: AQUA
 OUTER CABLE MATERIAL: LSZH (LOW SMOKE ZERO HALOGEN)
 CABLE LOSS 1.2 dB AT 850 nm

QTY	Description	Item
△1 2	FOAC END/DUST CAP	11
△1 2	FOAC RIBBLE TUBE	10
△1 2	FOAC PG 16 GLAND	9
△1 2	FOAC HEX NUT	8
△1 2	FOAC PG 16 WASHER	7
△1 2	FOAC STRAIGHT CONNECTOR	6
3	DAT-35 LABEL	5
2	FOAC FAN-OUT	4
2	MPO CONNECTORS	3
L1/ L2	FURCATION TUBE ROUND, AQUA	2
AR	FOCAB 12F MM50 OM3 AQUA LSZH	1

THIS DRAWING IS A CONTROLLED DOCUMENT.		DWN T.vd MEULEN 16NOV2008	Tyco Electronics Corporation 's-Hertogenbosch, Nederland	
DIMENSIONS: mm		CHK M.OPPERS 16NOV2008	RESTRICTED TO	
TOLERANCES UNLESS OTHERWISE SPECIFIED:		APVD T.vd MEULEN 16NOV2008	SIZE A2 CAGE CODE 00779 C=2055158	
0 PLC ± -		PRODUCT SPEC	DRAWING NO	
1 PLC ± -		APPLICATION SPEC	SCALE NTS SHEET 1 of 2 REV A	
2 PLC ± -		WEIGHT -	CUSTOMER DRAWING	
3 PLC ± -		FINISH -		
4 PLC ± -				
ANGLES ± -				

THIS DRAWING IS UNPUBLISHED. RELEASED FOR PUBLICATION
 © COPYRIGHT BY TYCO ELECTRONICS CORPORATION. ALL INTERNATIONAL RIGHTS RESERVED.

LOC	DIST	REVISIONS			
P	LTR	DESCRIPTION	DATE	DWN	APVD
H	-	SEE SHEET 1	-	-	-



THIS DRAWING IS A CONTROLLED DOCUMENT.		DWN T.vd MEULEN 16NOV2008	Tyco Electronics Corporation 's-Hertogenbosch, Nederland																			
DIMENSIONS: mm		CHK M. OPPERS 16NOV2008																				
TOLERANCES UNLESS OTHERWISE SPECIFIED:		APVD T.vd MEULEN 16NOV2008	NAME FOTRK MM OM3 LEAD MPO - MPO FEM 6.4 mm X 3.2 mm ROUND STRAIGHT																			
<table border="0"> <tr><td>0 PLC</td><td>±</td><td>-</td></tr> <tr><td>1 PLC</td><td>±</td><td>-</td></tr> <tr><td>2 PLC</td><td>±</td><td>-</td></tr> <tr><td>3 PLC</td><td>±</td><td>-</td></tr> <tr><td>4 PLC</td><td>±</td><td>-</td></tr> <tr><td>ANGLES</td><td>±</td><td>-</td></tr> </table>		0 PLC	±	-	1 PLC	±	-	2 PLC	±	-	3 PLC	±	-	4 PLC	±	-	ANGLES	±	-	PRODUCT SPEC -	SIZE A2	RESTRICTED TO -
0 PLC	±	-																				
1 PLC	±	-																				
2 PLC	±	-																				
3 PLC	±	-																				
4 PLC	±	-																				
ANGLES	±	-																				
MATERIAL -		FINISH -	APPLICATION SPEC -	CAGE CODE 00779																		
		WEIGHT -	DRAWING NO C=2055158	SCALE NTS																		
		CUSTOMER DRAWING	SHEET 2 of 2	REV A																		