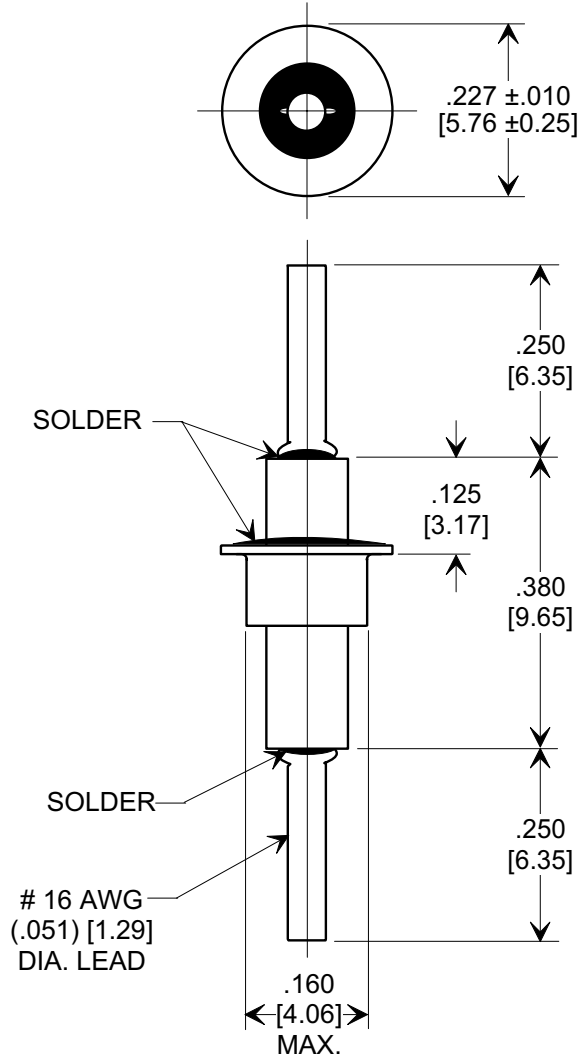
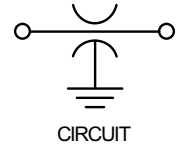
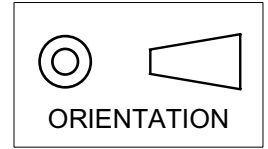


MARKETING SALES DRAWING

DIMENSIONS IN INCHES - DO NOT SCALE THIS DRAWING
DIMENSIONS IN METRIC - []

Electrical Testing
 per Tusonix standard
 test plans and Mil-Std-202
 Test Methods.



SPECIFICATIONS

Tusonix Part No.:	2404-610-S2L0-120M
Capacitance:	12 pF
Tolerance:	± 20%
Temp. Coef.:	S2L
Operating Temp.:	-55°C TO +125°C
Voltage Rating:	500 VDC @ + 85°C, 250 @ +125°C

REVISION RECORD Original Release C.O. 20000119-2-01 0	--TOLERANCES-- Unless Otherwise Specified		Title FEED - THRU CAPACITOR	
	DECIMAL ± .015 [0.38]		Drawn S.M. 01-19-00 Scale 4 X	
	ANGLES ±		Approved H.R. 01-19-00	
	TUSONIX TUCSON, ARIZONA		A 2404-610-S2L0-120M	