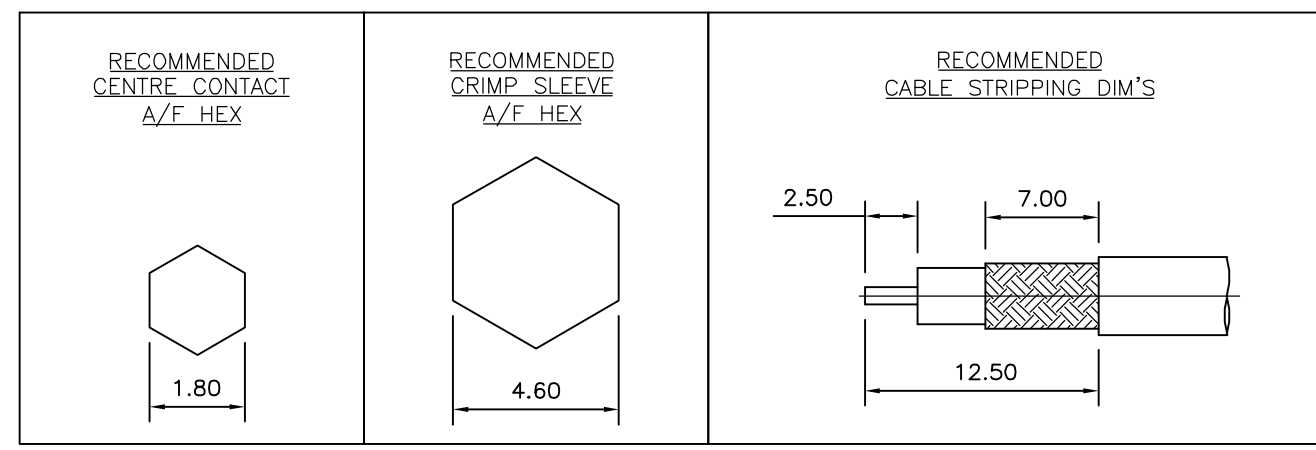
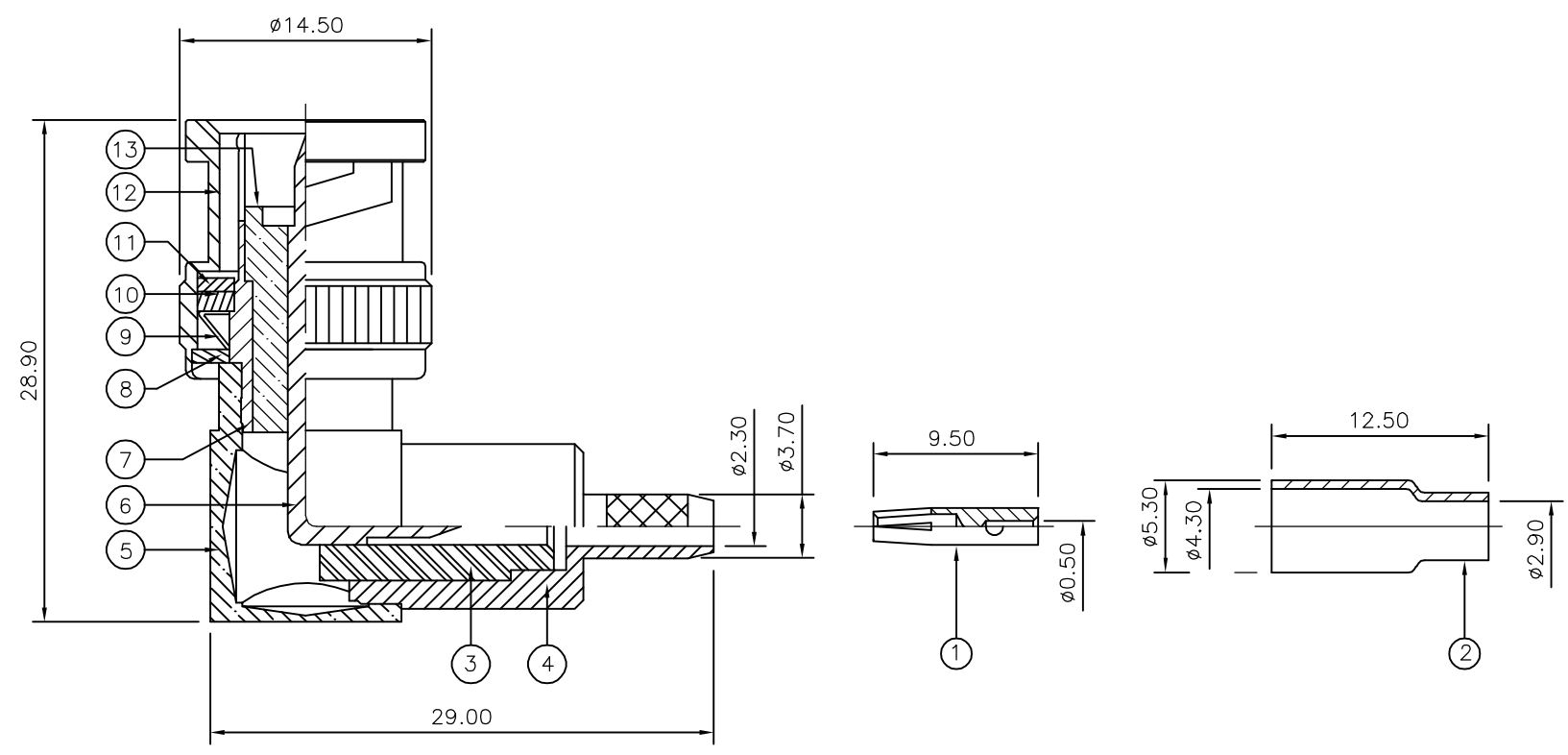


THIS DRAWING IS UNPUBLISHED. RELEASED FOR PUBLICATION NOV ,2005.
 © COPYRIGHT 2005 BY TYCO ELECTRONICS CORPORATION. ALL RIGHTS RESERVED.

| LOC | DIST | REVISIONS | | | | | |
|-----|------|-----------|-----|---------------|---------|-----|------|
| E | B | P | LTR | DESCRIPTION | DATE | DWN | APVD |
| | | C | | ECR-05-016219 | 24NOV05 | JMS | FWK |

- NOTES:
- 1 PACK IN ACCORDANCE WITH AMP SPEC 107-3275
 - 2 100 TRAY PACK IN ACCORDANCE WITH AMP SPEC 107-3275
 - 3 Ag PLATING
 - 4 THIS ITEM MUST BE WHITE
 - 5 HAND TOOL : 9-1478240-0
 - 6 DIE SET : 9-1478245-0
 - 7 ELECTRICAL CHARACTERISTICS
 FREQUENCY RANGE: DC - 2 GHz
 NOMINAL IMPEDANCE: 75 Ohm
 INSULATION RESISTANCE: 5000 MOhm
 WORKING VOLTAGE: 500 Volts RMS at Sea Level
 DIELECTRIC WITHSTAND VOLTAGE: 1500 Volts RMS Max
 CONTACT RESISTANCE:
 CENTRE CONTACT: 1.50 mOhm Max
 OUTER CONTACT: 0.20 mOhm Max
 VSWR @ 2GHz: 1.25:1 Max
 INSERTION LOSS dB @ x 2 GHz: 0.30 Max
 - 8 MECHANICAL CHARACTERISTICS
 COUPLING RETENTION FORCE: 445N Min
 CABLE RETENTION FORCE: 85N Min
 DURABILITY: 500 Cycles Min
 - 9 ENVIRONMENTAL CHARACTERISTICS
 OPERATING TEMPERATURE: -65 to +165 DegC



| QTY | QTY PER ASSY | MATERIAL | DESCRIPTION | ITEM |
|------|--------------|----------------|--------------|------|
| 1 | 1 | PTFE | INSULATION | 13 |
| 1 | 1 | BRASS | 3 SHELL | 12 |
| 1 | 1 | SILICON RUBBER | 4 GASKET | 11 |
| 1 | 1 | BRASS | 3 WASHER | 10 |
| 1 | 1 | SPRING STEEL | SPRING | 9 |
| 1 | 1 | BRASS | 3 WASHER | 8 |
| 1 | 1 | BRASS | 3 BODY II | 7 |
| 1 | 1 | BRASS | 3 CONTACT II | 6 |
| 1 | 1 | BRASS | 3 BODY I | 5 |
| 1 | 1 | BRASS | 3 CHASSIS | 4 |
| 1 | 1 | PTFE | INSULATION | 3 |
| 1 | 1 | BRASS | 3 FERRULE | 2 |
| 1 | 1 | BRASS | 3 CONTACT I | 1 |
| 6--0 | 1--0 | | | |
| | | | | |

| | | | | |
|---|--|-----------------------------------|---|--------------------|
| THIS DRAWING IS A CONTROLLED DOCUMENT. | | DWN J.SANDWELL 24NOV05 | Tyco Electronics Corporation Bideford EX39 4HE | |
| DIMENSIONS: mm | | CHK S.PARLOW 24NOV05 | | |
| | | APVD F.WHEELER-KING 24NOV05 | NAME BNC ELBOW PLUG CRIMP 75 OHM RG179B/U, 187A/U, URM111 | |
| TOLERANCES UNLESS OTHERWISE SPECIFIED: | | PRODUCT SPEC 108-3435 | RESTRICTED TO | |
| 0 PLC ± - 1 PLC ± - 2 PLC ± - 3 PLC ± - 4 PLC ± - ANGLES ± - | | APPLICATION SPEC 411-3247 | SIZE A3 | CAGE CODE 00779 |
| MATERIAL SEE TABLE | | WEIGHT - | DRAWING NO C-1337440 | |
| | | CUSTOMER DRAWING | SCALE NTS | SHEET 1 OF 1 |
| | | | REV C | |