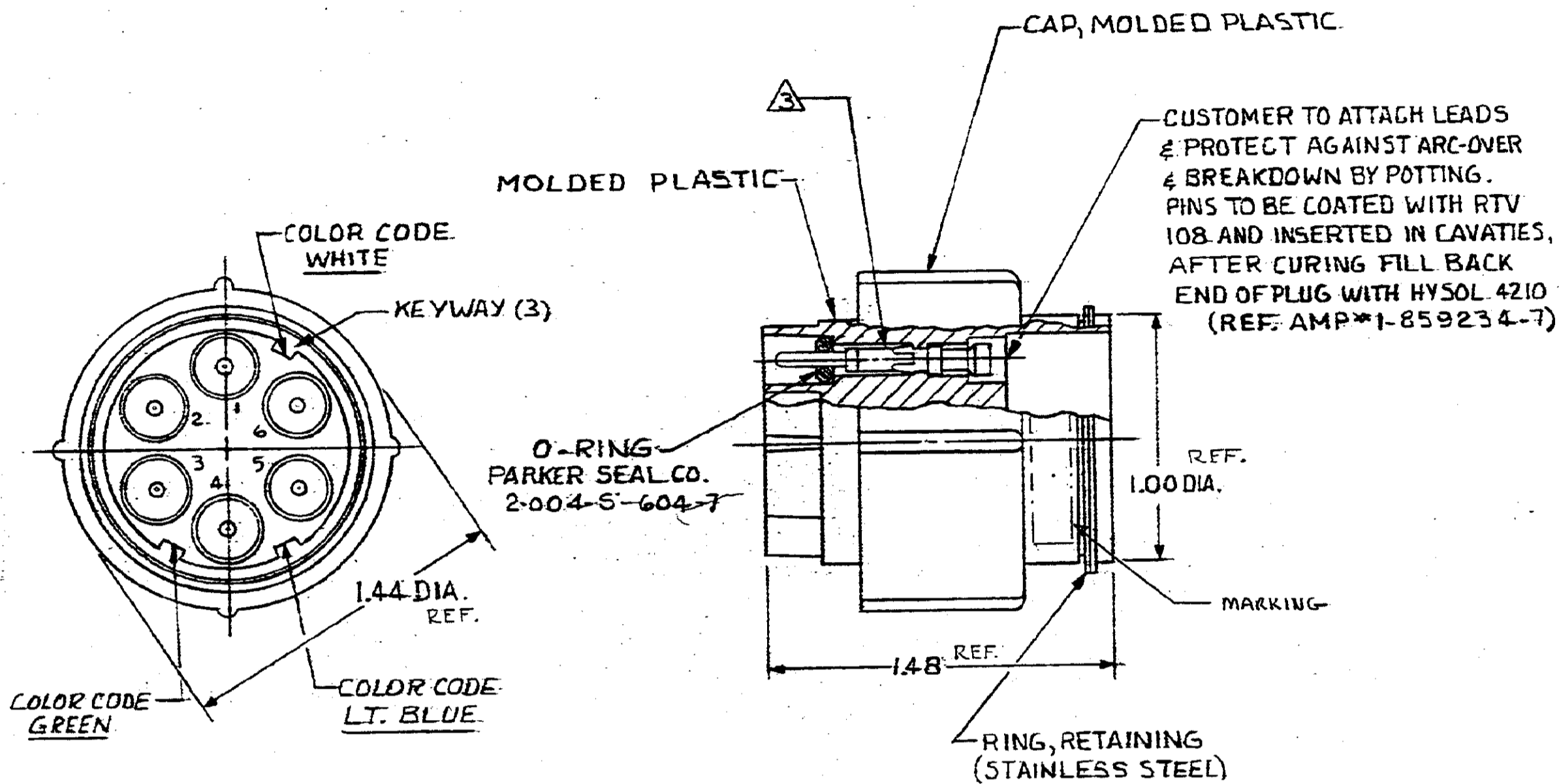


DRAWING MADE IN THIRD ANGLE PROJECTION

THIS DRAWING IS UNPUBLISHED. RELEASED FOR PUBLICATION . 19
 © COPYRIGHT 19 BY AMP INCORPORATED, HARRISBURG, PA. ALL INTERNATIONAL RIGHTS RESERVED. AMP PRODUCTS MAY BE COVERED BY U.S. AND FOREIGN PATENTS AND/OR PATENTS PENDING.

LOC DIST
DF 50

REVISIONS					
P	F	ZONE/LTR	DESCRIPTION	DATE	APPROVED
		E	REDRAWN 7/6 CHANGE	6/5 8/14/84	J.W.
		F	OBSOLETE - 6	ECNS305 11-5-84	R.B.
✓	✓	G	OBS-3 ECNDF0376	2/2/89	T.W.



1. PLUG ASS'Y. WILL WITHSTAND WITHOUT BREAK DOWN 27 KVDC PIN TO PIN & 27 KVDC PIN TO GRD. WHEN MATED WITH RECEPTACLE 859527-1.
2. MARKING TO BE WHITE
3. #16 GA. PINS GOLD PLATED PER MIL-G-45204 TYPE II .000050 MIN. THK.
4. PLUG & PINS TO BE SHIPPED SEPARATELY.
5. TYPE II PINS TO ACCEPT ONE (1) #22 OR #24 OR #20 AWG STRANDED WIRE
6. TYPE II PINS TO ACCEPT ONE (1) #16 AWG OR (1) 18 AWG STRANDED WIRE
7. TO REMOVE PINS USE EXTRACTION TOOL #861751-1
8. TYPE II PINS TO ACCEPT ONE (1) 14-AWG STANDARD WIRE.
9. PART NO. OBSOLETE

AMP PART NO.	WIRE SIZE RANGE	HAND TOOL	COLOR CODING
860267-1	20,22,24	45099	YES
860267-2	16,18	45098	YES
860267-3	14	45098	YES
860267-4	20,22,24	45099	NO
860267-5	16,18	45098	NO
860267-6/9	14	45098	NO

UNLESS OTHERWISE SPECIFIED DIMENSIONS ARE IN INCHES. TOLERANCES ON: DECIMALS .00 ± .04 .000 ± .015		CONTRACT NO OR <i>See Specimen</i> 8114184		AMP AMP INCORPORATED Harrisburg, Pa. 17105	
MATERIAL		CHK		NAME PLUG ASS'Y, H.V. 6 PIN LGH	
FINISH BLACK		APPD <i>J.W. Jones</i> 8-21-84		DRAWING NO 860267	
		OSGN APPD		SIZE C	
		OTHER APPD		FSCM NO 00779	
				SCALE NTS	
				SHEET 1/1	

CUSTOMER DRAWING