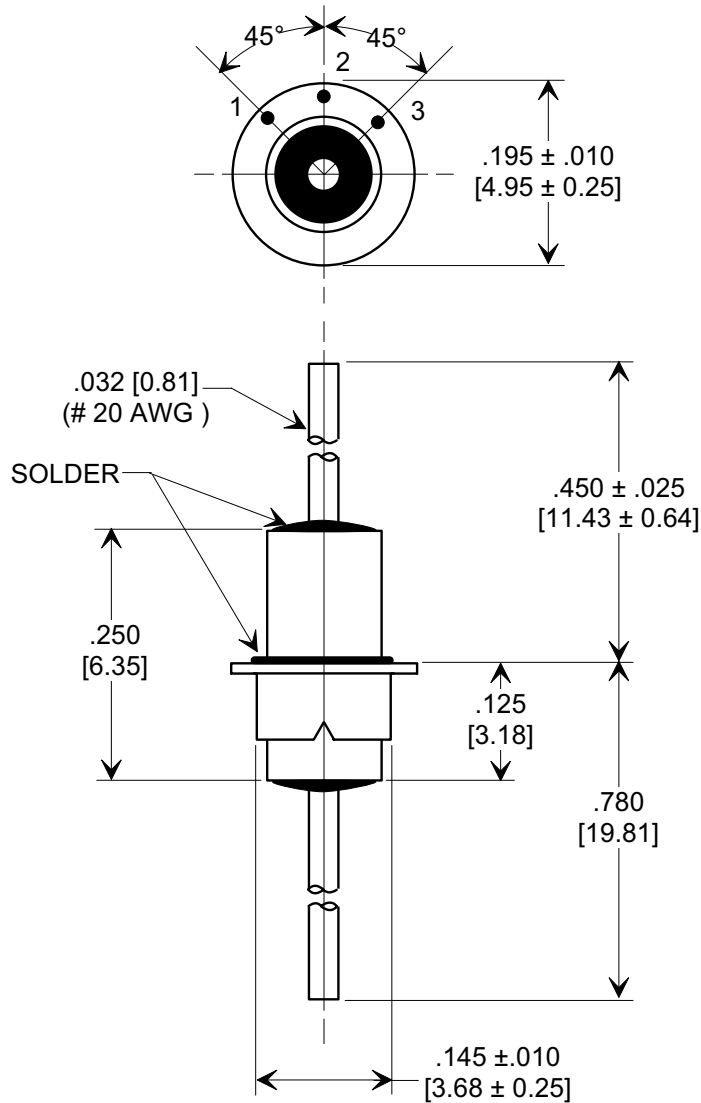
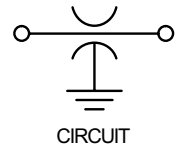
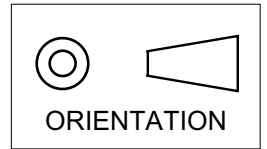


**MARKETING SALES DRAWING**  
**DIMENSIONS IN INCHES - DO NOT SCALE THIS DRAWING**  
**DIMENSIONS IN METRIC - [ ]**

Electrical Testing  
per Tusonix standard  
test plans and Mil-Std-202  
Test Methods.



**SPECIFICATIONS**

TUSONIX STYLE	2482
Cap. Value:	100 pF
Cap. Tol.:	± 20 %
Temp. Char.:	X5U
Operating. Temp.:	-55° TO + 125°C
Operating. Volt.:	300 VDC @ 85°C / 150 VDC @ 125°C
DWV 2 Sec. Min.	900 VDC
IR Min. @ 100 vdc	10 G

**NOTES:**

1. EXPOSED CERAMIC ENAMEL COATED (WHITE).
2. 3 DOT COLOR CODE FOR CAPACITANCE.

X-2015 Rev-0

<b>REVISION RECORD</b>	Original Release	<b>0</b>
	C.O.	
	WAS SK 8188-571. S.M. 06-27-05	
	<b>20050624-2-02</b>	

--TOLERANCES-- Unless Otherwise Specified
DECIMAL ± .015 [0.38]
ANGLES ±
<b>TUSONIX</b> TUCSON, ARIZONA

Title <b>FEED-THRU CAPACITOR</b>	
Drawn L.E. 12-13-04	Scale 5 X
Approved B.Mc. 12-13-04	
<b>A</b>	<b>2482-079-X5U0-101M</b>