
HD404339 Series

HITACHI

Rev. 7.0
Sept. 1999

Description

The HD404339 Series is 4-bit HMCS400-Series microcomputer with large-capacity memory designed to increase program productivity. Each microcomputer has an A/D converter, input capture timer, and a 32-kHz oscillator circuit for clock use all built in. They also come with high-voltage I/O pins that can directly drive a fluorescent display.

The HD404339 Series includes six chips: the HD404339 with 16-kword ROM; the HD4043312 with 12-kword ROM; the HD404338 with 8-kword ROM; the HD404336 with 6-kword ROM; the HD404334 with 4-kword ROM; the HD4074339 with 16-kword PROM.

The HD4074339 is a PROM version ZTAT™ microcomputer. Programs can be written to the PROM by a PROM writer, which can dramatically shorten system development periods and smooth the process from debugging to mass production. (The PROM program specifications are the same as for the 27256.)

ZTAT™: Zero Turn Around Time ZTAT is a trademark of Hitachi Ltd.

Features

- 54 I/O pins
 - One input-only pin
 - 53 input/output pins: 30 pins are high-voltage pins (40 V, max.)
- On-chip A/D converter (8-bit × 12-channel)
- Three timers
 - One event counter input
 - One timer output
 - One input capture timer
- 8-bit clock-synchronous serial interface (1 channel)
- Alarm output
- Built-in oscillators
 - Ceramic or crystal oscillator
 - External clock drive is also possible
 - Subclock: 32.768-kHz crystal oscillator



HD404339 Series

- Seven interrupt sources
 - Two by external sources
 - Three by timers
 - One each by the A/D converter and serial interface
- Four low-power dissipation modes
 - Standby mode
 - Stop mode
 - Watch mode
 - Subactive mode
- Instruction cycle time: 1 μ s ($f_{osc} = 4$ MHz, 1/4 division ratio)
 - 1/4, 1/8, 1/16, 1/32 system clock division ratio can be selected

Ordering Information

Type	Product Name	Model Name	ROM (words)	RAM (digit)	Package
Mask ROM	HD404334	HD404334S	4,096	512	DP-64S
		HD404334FS			FP-64B
	HD404336	HD404336S	6,144		DP-64S
		HD404336FS			FP-64B
	HD404338	HD404338S	8,912		DP-64S
		HD404338FS			FP-64B
	HD4043312	HD4043312S	12,288		DP-64S
		HD4043312FS			FP-64B
	HD404339	HD404339S	16,384		DP-64S
		HD404339FS			FP-64B
ZTAT™	HD4074339	HD4074339S	16,384		DP64S
		HD4074339FS			FP-64B

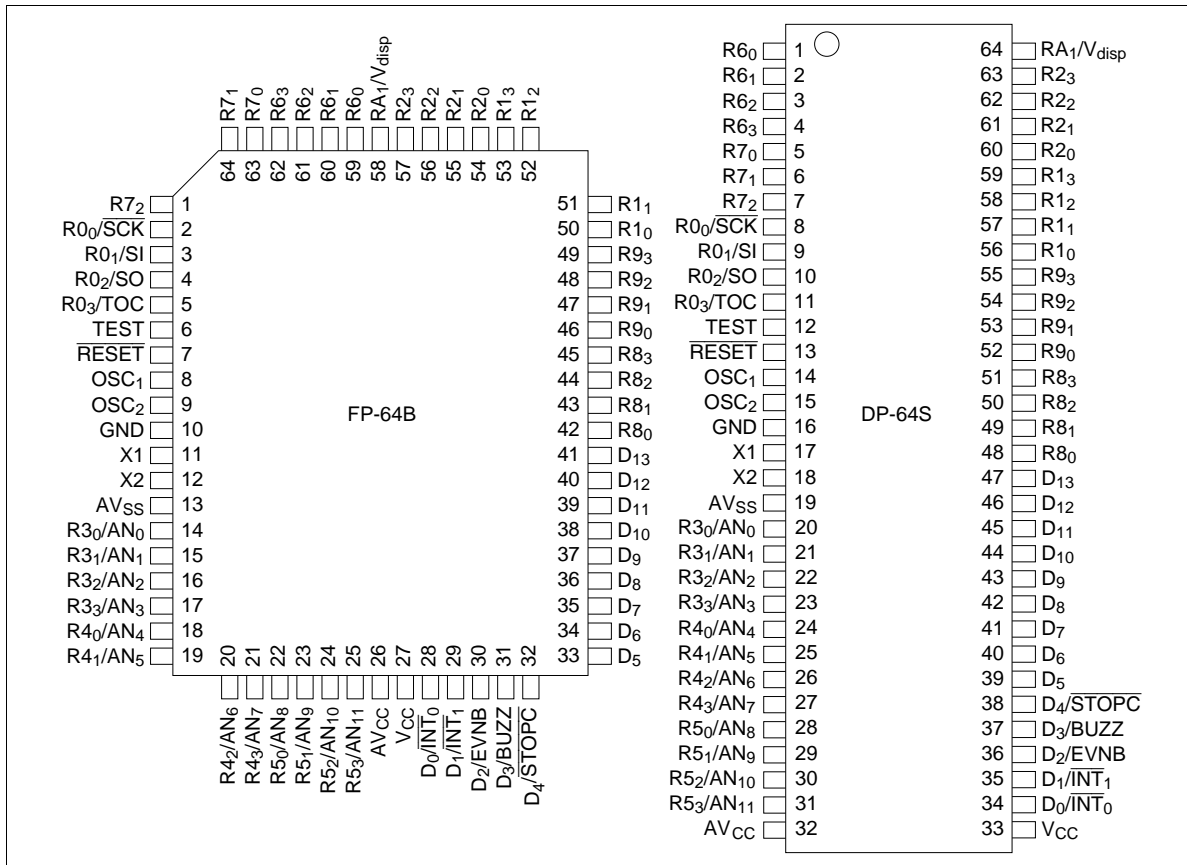
Recommended PROM Programmers and Socket Adapters

PROM Programmer		Socket Adapter		
Manufacture	Model Name	Package	Manufacture	Model Name
DATA I/O corp	121 B	DP-64S	Hitachi	HS4339ESS01H
		FP-64B		HS4339ESF01H
AVAL corp	PKW-1000	DP-64S	Hitachi	HS4339ESS01H
		FP-64B		HS4339ESF01H

HITACHI

HD404339 Series

Pin Arrangement



HD404339 Series

Pin Description

Item	Symbol	Pin Number		I/O	Function
		DP-64S	FP-64B		
Power supply	V_{CC}	33	27		Applies power voltage
	GND	16	10		Connected to ground
	V_{disp} (shared with RA ₁)	64	58		Used as a high-voltage output power supply pin when selected by the mask option
Test	TEST	12	6	I	Cannot be used in user applications. Connect this pin to GND.
Reset	\overline{RESET}	13	7	I	Resets the MCU
Oscillator	OSC ₁	14	8	I	Input/output pin for the internal oscillator. Connect these pins to the ceramic or crystal oscillator, or OSC ₁ to an external oscillator circuit.
	OSC ₂	15	9	O	
	X1	17	11	I	Used with a 32.768-kHz crystal oscillator for clock purposes
	X2	18	12	O	
Port	D ₀ –D ₁₃	34–47	28–41	I/O	Input/output pins addressed individually by bits; D ₀ –D ₁₃ are all high-voltage I/O pins. Each pin can be individually configured as selected by the mask option.
	RA ₁	64	58	I	One-bit high-voltage input port pin
	R0 ₀ –R0 ₃ , R3 ₀ –R7 ₂	1–11, 20–31	1–5, 14–25, 59–64	I/O	Four-bit input/output pins consisting of standard voltage pins
	R1 ₀ –R2 ₃ , R8 ₀ –R9 ₃	48–63	42–57	I/O	Four-bit input/output pins consisting of high voltage pins
Interrupt	$\overline{INT_0}$, $\overline{INT_1}$	34, 35	28, 29	I	Input pins for external interrupts
Stop clear	\overline{STOPC}	38	32	I	Input pin for transition from stop mode to active mode
Serial interface	\overline{SCK}	8	2	I/O	Serial interface clock input/output pin
	SI	9	3	I	Serial interface receive data input pin
	SO	10	4	O	Serial interface transmit data output pin
Timer	TOC	11	5	O	Timer output pin
	EVNB	36	30	I	Event count input pin
Alarm	BUZZ	37	31	O	Square waveform output pin

HD404339 Series

Item	Symbol	Pin Number		I/O	Function
		DP-64S	FP-64B		
A/D converter	AV _{CC}	32	26		Power supply for the A/D converter. Connect this pin as close as possible to the V _{CC} pin and at the same voltage as V _{CC} . If the power supply voltage to be used for the A/D converter is not equal to V _{CC} , connect a 0.1- μ F bypass capacitor between the AV _{CC} and AV _{SS} pins. (However, this is not necessary when the AV _{CC} pin is directly connected to the V _{CC} pin.)
	AV _{SS}	19	13		Ground for the A/D converter. Connect this pin as close as possible to GND at the same voltage as GND.
	AN ₀ -AN ₁₁	20-31	14-25	I	Analog input pins for the A/D converter

HD404339 Series

Pin Description in PROM Mode

The HD4074339 is a PROM version of a ZTAT™ microcomputer. In PROM mode, the MCU stops operating, thus allowing the user to program the on-chip PROM.

Pin Number		MCU Mode		PROM Mode	
DP-64S	FP-64B	Pin	I/O	Pin	I/O
1	59	R6 ₀	I/O	O ₄	I/O
2	60	R6 ₁	I/O	O ₃	I/O
3	61	R6 ₂	I/O	O ₂	I/O
4	62	R6 ₃	I/O	O ₁	I/O
5	63	R7 ₀	I/O	O ₀	I/O
6	64	R7 ₁	I/O		
7	1	R7 ₂	I/O		
8	2	R0 ₀ /SCK	I/O	V _{CC}	
9	3	R0 ₁ /SI	I/O	V _{CC}	
10	4	R0 ₂ /SO	I/O		
11	5	R0 ₃ /TOC	I/O		
12	6	TEST	I	V _{PP}	
13	7	RESET	I	RESET	I
14	8	OSC ₁	I	V _{CC}	
15	9	OSC ₂	O		
16	10	GND	—	GND	
17	11	X1	I	GND	
18	12	X2	O		
19	13	AV _{SS}	—	GND	
20	14	R3 ₀ /AN ₀	I/O	O ₀	I/O
21	15	R3 ₁ /AN ₁	I/O	O ₁	I/O
22	16	R3 ₂ /AN ₂	I/O	O ₂	I/O
23	17	R3 ₃ /AN ₃	I/O	O ₃	I/O
24	18	R4 ₀ /AN ₄	I/O	O ₄	I/O
25	19	R4 ₁ /AN ₅	I/O	O ₅	I/O
26	20	R4 ₂ /AN ₆	I/O	O ₆	I/O
27	21	R4 ₃ /AN ₇	I/O	O ₇	I/O
28	22	R5 ₀ /AN ₈	I/O		
29	23	R5 ₁ /AN ₉	I/O		
30	24	R5 ₂ /AN ₁₀	I/O		

HITACHI

HD404339 Series

Pin Number		MCU Mode		PROM Mode	
DP-64S	FP-64B	Pin	I/O	Pin	I/O
31	25	R5 ₃ /AN ₁₁	I/O		
32	26	AV _{CC}	—	V _{CC}	
33	27	V _{CC}	—	V _{CC}	
34	28	D ₀ /INT ₀	I/O	M ₀	I
35	29	D ₁ /INT ₁	I/O	M ₁	I
36	30	D ₂ /EVNB	I/O	A ₁	I
37	31	D ₃ /BUZZ	I/O	A ₂	I
38	32	D ₄ /STOPC	I/O		
39	33	D ₅	I/O	A ₃	I
40	34	D ₆	I/O	A ₄	I
41	35	D ₇	I/O	A ₉	I
42	36	D ₈	I/O	V _{CC}	
43	37	D ₉	I/O		
44	38	D ₁₀	I/O		
45	39	D ₁₁	I/O		
46	40	D ₁₂	I/O		
47	41	D ₁₃	I/O		
48	42	R8 ₀	I/O	$\overline{\text{CE}}$	I
49	43	R8 ₁	I/O	$\overline{\text{OE}}$	I
50	44	R8 ₂	I/O	A ₁₃	I
51	45	R8 ₃	I/O	A ₁₄	I
52	46	R9 ₀	I/O		
53	47	R9 ₁	I/O		
54	48	R9 ₂	I/O		
55	49	R9 ₃	I/O		
56	50	R1 ₀	I/O	A ₅	I
57	51	R1 ₁	I/O	A ₆	I
58	52	R1 ₂	I/O	A ₇	I
59	53	R1 ₃	I/O	A ₈	I
60	54	R2 ₀	I/O	A ₀	I
61	55	R2 ₁	I/O	A ₁₀	I
62	56	R2 ₂	I/O	A ₁₁	I
63	57	R2 ₃	I/O	A ₁₂	I
64	58	RA ₁ /V _{disp}	I		

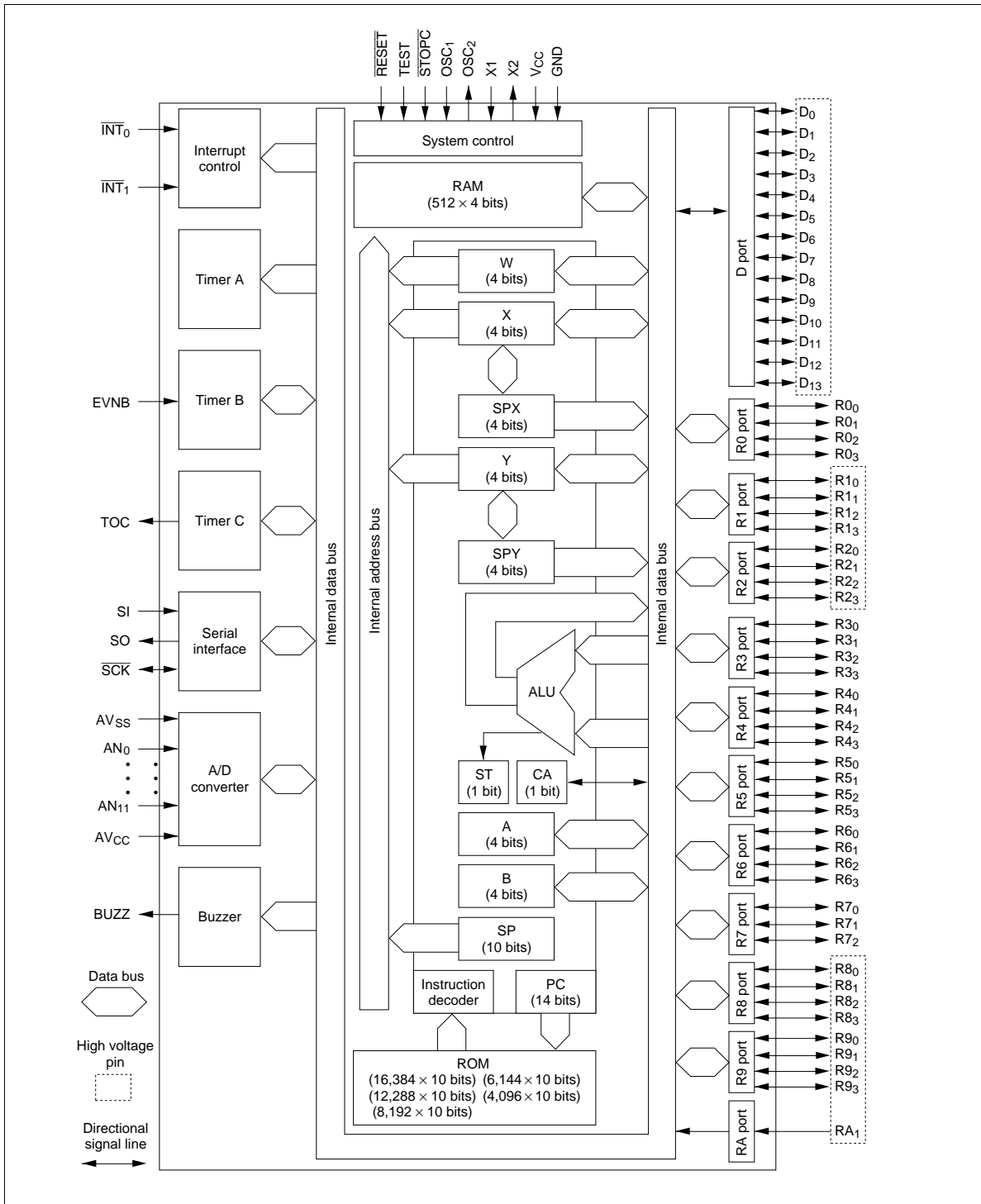
Notes: 1. I/O: Input/output pin; I: Input pin; O: Output pin

2. O₀ to O₄ consist of two pins each. Tie each pair together before using them.

HITACHI

HD404339 Series

Block Diagram



HITACHI

HD404339 Series

Memory Map

ROM Memory Map

Vector Address Area (\$0000–\$000F): Reserved for JMPL instructions that branch to the start addresses of the reset and interrupt routines.

Zero-Page Subroutine Area (\$0000–\$003F): Reserved for subroutines. The program branches to a subroutine in this area in response to the CAL instruction.

Pattern Area (\$0000–\$0FFF): Contains ROM data that can be referenced with the P instruction.

Program Area (\$0000–\$0FFF (HD404334), \$0000–\$17FF (HD404336), \$0000–\$1FFF (HD404338), \$0000–\$2FFF (HD4043312), \$0000–\$3FFF (HD404339, HD4074339)): The entire ROM area can be used for program coding.

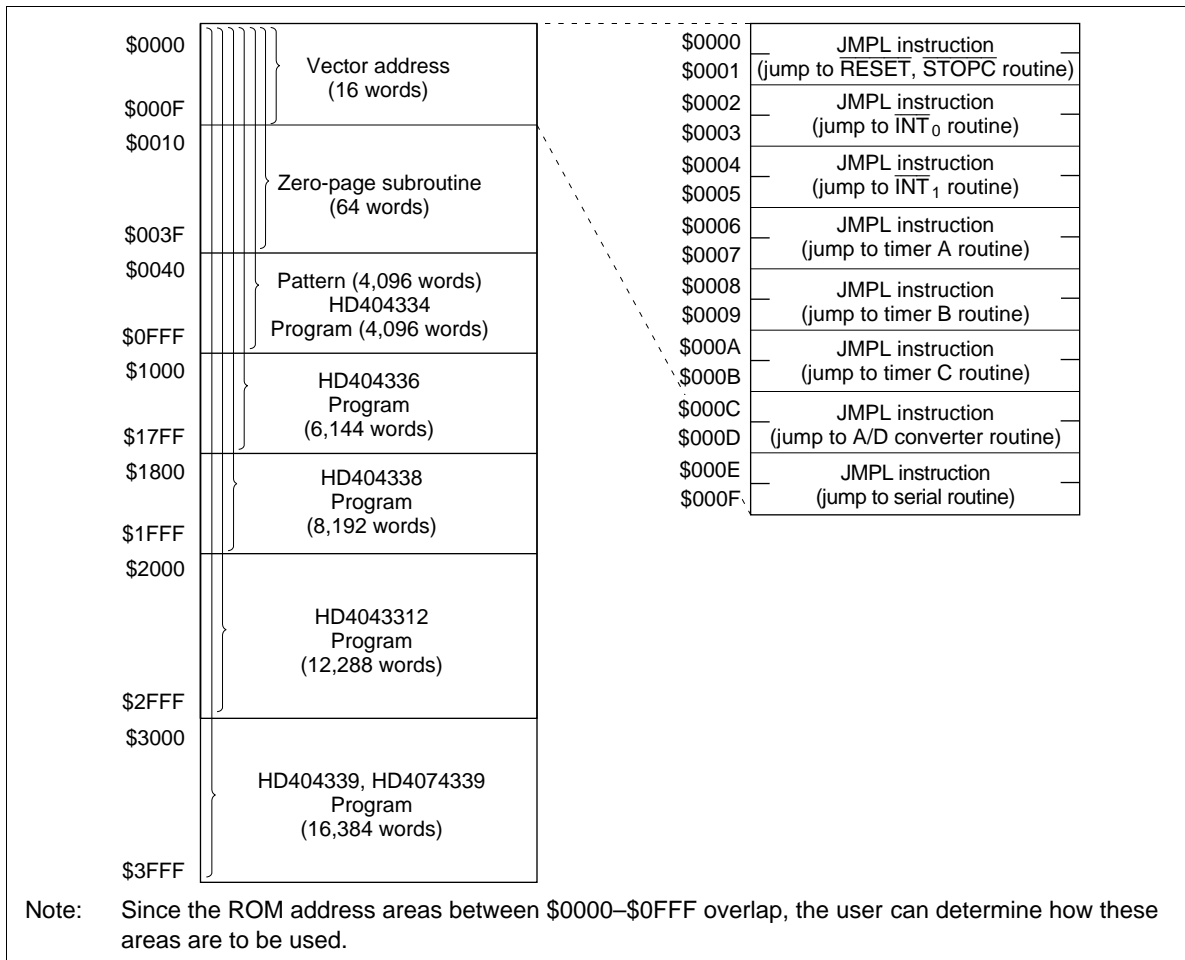


Figure 1 ROM Memory Map

HITACHI

HD404339 Series

RAM Memory Map

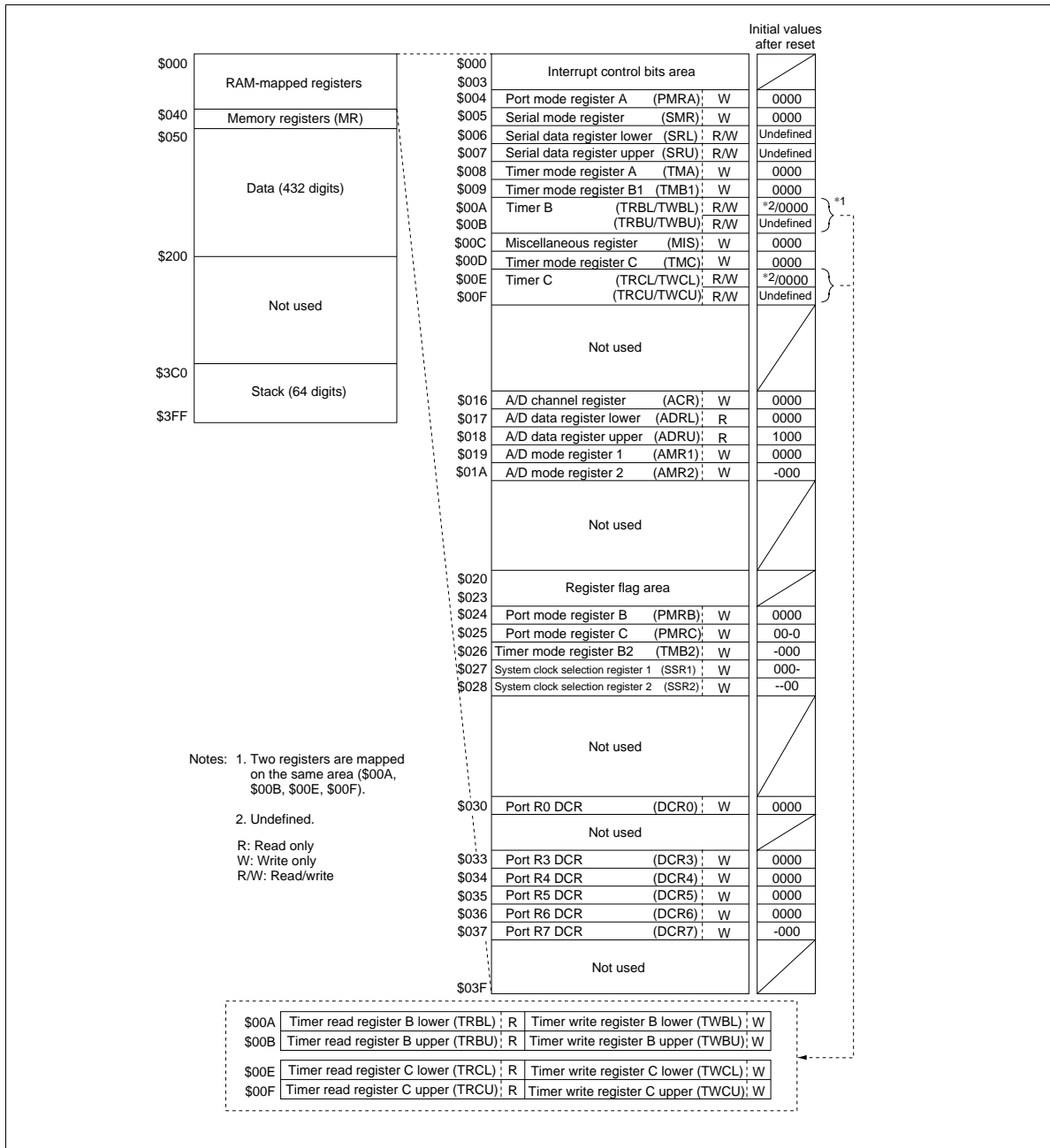


Figure 2 RAM Memory Map and Initial Values

HD404339 Series

Table 1 Initial Values of Flags after MCU Reset

Item	Initial Value	
Interrupt flags/mask	Interrupt enable flag (IE)	0
	Interrupt request flag (IF)	0
	Interrupt mask (IM)	1
Bit registers	Watchdog timer on flag (WDON)	0
	A/D start flag (ADSF)	0
	Input capture status flag (ICSF)	0
	Input capture error flag (ICEF)	0
	I _{AD} off flag (IAOF)	0
	RAM enable flag (RAME)	0
	Low speed on flag (LSON)	0
	Direct transfer on flag (DTON)	0

RAM Address	Bit 3	Bit 2	Bit 1	Bit 0
\$0000	IM0 (IM of INT ₀)	IF0 (IF of INT ₀)	RSP (Reset SP bit)	IE (Interrupt enable flag)
\$0001	IMTA (IM of timer A)	IFTA (IF of timer A)	IM1 (IM of INT ₁)	IF1 (IF of INT ₁)
\$0002	IMTC (IM of timer C)	IFTC (IF of timer C)	IMTB (IM of timer B)	IFTB (IF of timer B)
\$0003	IMS (IM of serial)	IFS (IF of serial)	IMAD (IM of A/D)	IFAD (IF of A/D)
Interrupt control bits area				
	Bit 3	Bit 2	Bit 1	Bit 0
\$020	DTON (Direct transfer on flag)	ADSF (A/D start flag)	WDON (Watchdog on flag)	LSON (Low speed on flag)
\$021	RAME (RAM enable flag)	IAOF (I _{AD} off flag)	ICEF (Input capture error flag)	ICSF (Input capture status flag)
\$022	Not used			
\$023	Not used			
Register flag area				

IF: Interrupt request flag
 IM: Interrupt mask
 IE: Interrupt enable flag
 SP: Stack pointer

Figure 3 Interrupt Control Bits and Register Flag Areas Configuration

HD404339 Series

	SEM/SEMD	REM/REMD	TM/TMD
IE	Allowed	Allowed	Allowed
IM			
LSON			
IAOF			
IF	Not executed	Allowed	Allowed
ICSF			
ICEF			
RAME			
RSP	Not executed	Allowed	Inhibited
WDON	Allowed	Not executed	Inhibited
ADSF	Allowed	Inhibited	Allowed
DTON	Not executed in active mode	Allowed	Allowed
	Used in subactive mode		
Not used	Not executed	Not executed	Inhibited

Note: WDON is reset by MCU reset or by STOPC enable for stop mode cancellation.
 The REM or REMD instruction must not be executed for ADSF during A/D conversion.
 DTON is always reset in active mode. If the TM or TMD instruction is executed for the inhibited bits or non-existing bits, the value in ST becomes invalid.

Figure 4 Usage Limitations of RAM Bit Manipulation Instructions

Memory registers		Stack area						
\$040	MR(0)	\$3C0	Level 16					
\$041	MR(1)		Level 15					
\$042	MR(2)		Level 14					
\$043	MR(3)		Level 13					
\$044	MR(4)		Level 12					
\$045	MR(5)		Level 11					
\$046	MR(6)		Level 10					
\$047	MR(7)		Level 9					
\$048	MR(8)		Level 8					
\$049	MR(9)		Level 7	\$3FC	ST	\overline{PC}_{13}	\overline{PC}_{12}	\overline{PC}_{11}
\$04A	MR(10)		Level 6	\$3FD	\overline{PC}_{10}	\overline{PC}_9	\overline{PC}_8	\overline{PC}_7
\$04B	MR(11)		Level 5	\$3FE	CA	\overline{PC}_6	\overline{PC}_5	\overline{PC}_4
\$04C	MR(12)		Level 4	\$3FF	\overline{PC}_3	\overline{PC}_2	\overline{PC}_1	\overline{PC}_0
\$04D	MR(13)		Level 3					
\$04E	MR(14)		Level 2					
\$04F	MR(15)	\$3FF	Level 1					

\overline{PC}_{13} – \overline{PC}_0 : Program counter
 ST: Status flag
 CA: Carry flag

Figure 5 Configuration of Memory Registers and Stack Area, and Stack Position

HITACHI

HD404339 Series

Registers and Flags

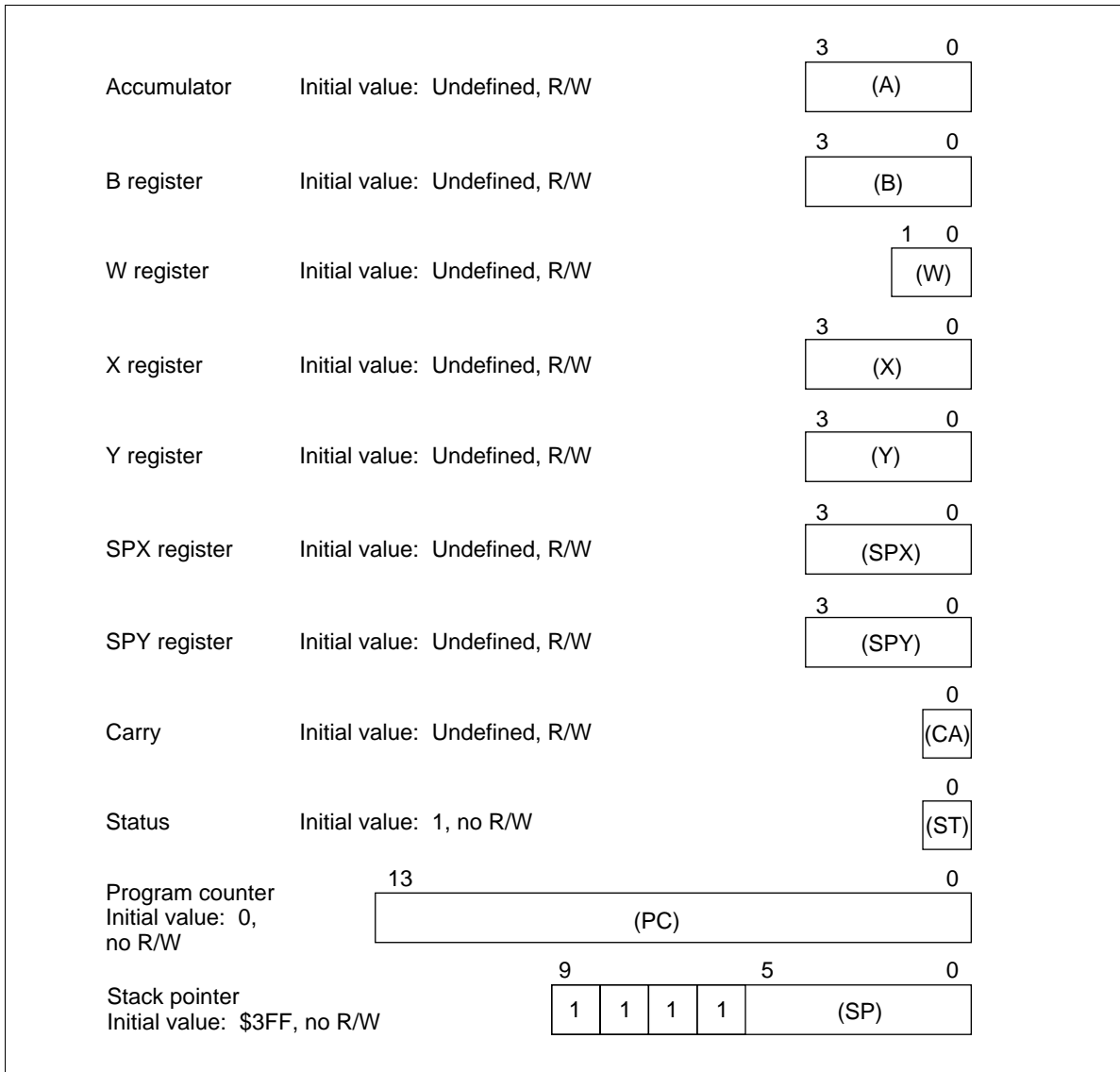


Figure 6 Registers and Flags

HD404339 Series

Addressing Modes

RAM Addressing Modes

Register Indirect Addressing Mode: The contents of the W, X, and Y registers (10 bits total) are used as a RAM address.

Direct Addressing Mode: A direct addressing instruction consists of two words. The first word contains the opcode, and the contents of the second word (10 bits) are used as a RAM address.

Memory Register Addressing Mode (LAMR, XMRA): The memory registers (MR), which are located in 16 addresses from \$040 to \$04F, are accessed with the LAMR and XMRA instructions.

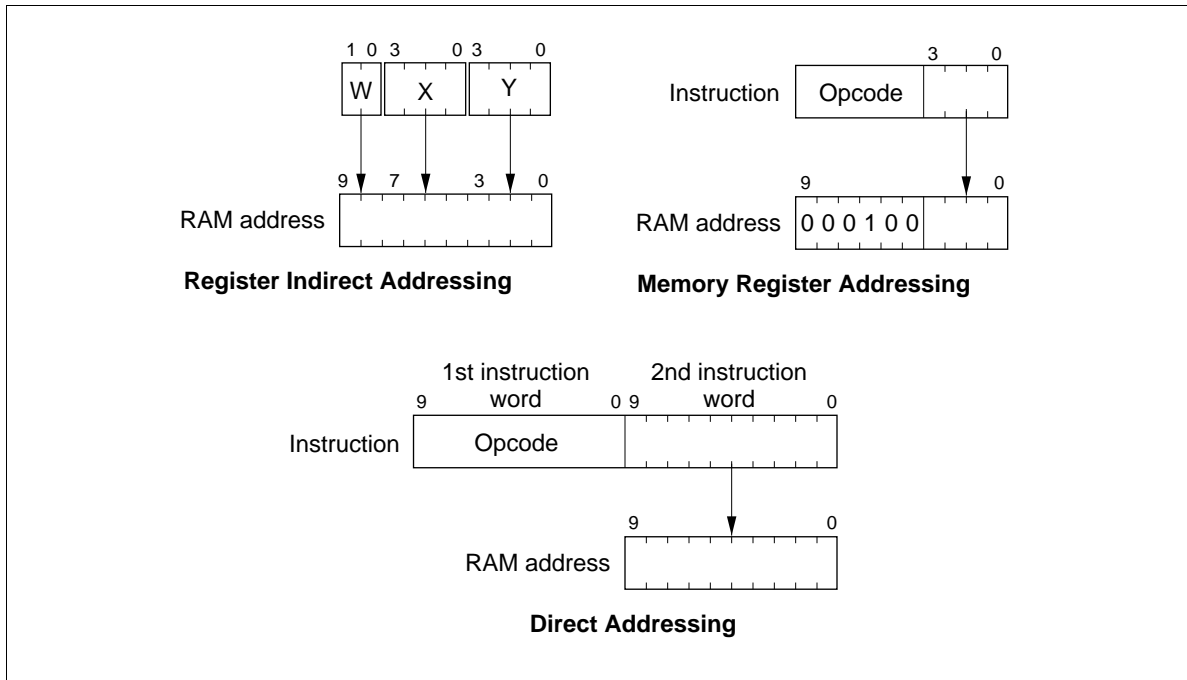


Figure 7 RAM Addressing Modes

HD404339 Series

ROM Addressing Modes

Direct Addressing Mode: A program can branch to any address in ROM memory space by executing the JMPL, BRL, or CALL instruction.

Current Page Addressing Mode: A program can branch to any address in the current page (256 words per page) by executing the BR instruction.

Zero-Page Addressing Mode: A program can branch to any subroutine located in the zero-page subroutine area (\$0000–\$003F) by executing the CAL instruction.

Table Data Addressing Mode: A program can branch to an address determined by the contents of 4-bit immediate data, the accumulator, and the B register by executing the TBR instruction.

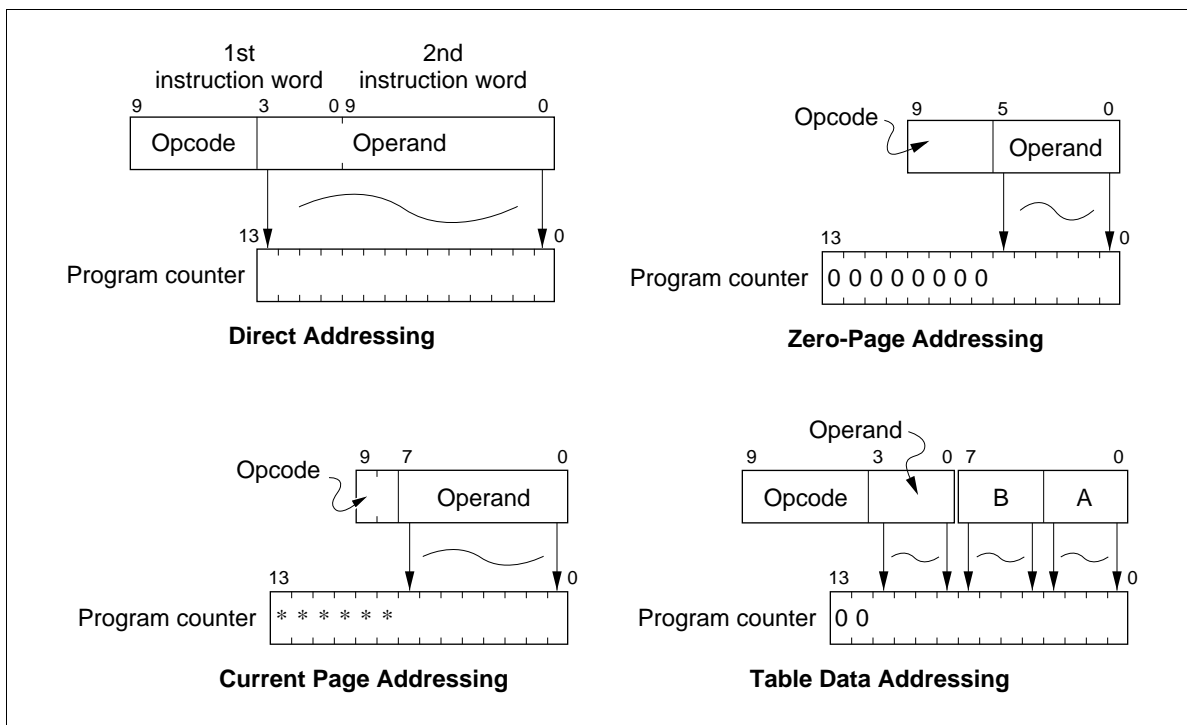


Figure 8 ROM Addressing Modes

HD404339 Series

Instruction Set

Table 2 Instruction Set Classification

Instruction Type	Function	Number of Instructions
Immediate	Transferring constants to the accumulator, B register, and RAM.	4
Register-to-register	Transferring contents of the B, Y, SPX, SPY, or memory registers to the accumulator.	8
RAM addressing	Available when accessing RAM in register indirect addressing mode.	13
RAM register	Transferring data between the accumulator and memory.	10
Arithmetic	Performing arithmetic operations with the contents of the accumulator, B register, or memory.	25
Compare	Comparing contents of the accumulator or memory with a constant.	12
RAM bit manipulation	Bit set, bit reset, and bit test.	6
ROM addressing	Branching and jump instructions based on the status condition.	8
Input/output	Controlling the input/output of the R and D ports; ROM data reference with the P instruction.	11
Control	Controlling the serial communication interface and low-power dissipation modes.	4
		Total: 101 instructions

Interrupts

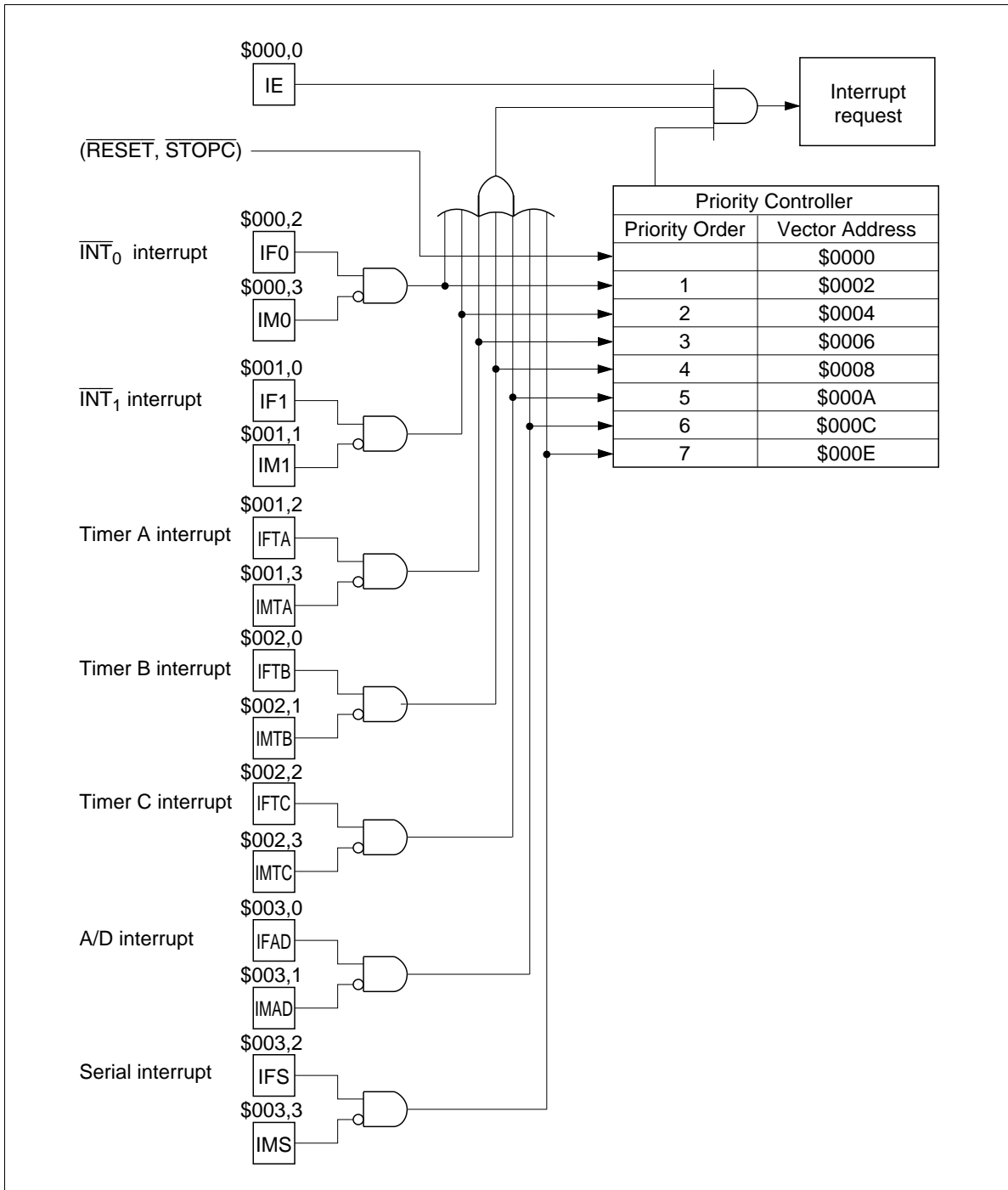


Figure 9 Interrupt Control Circuit

HD404339 Series

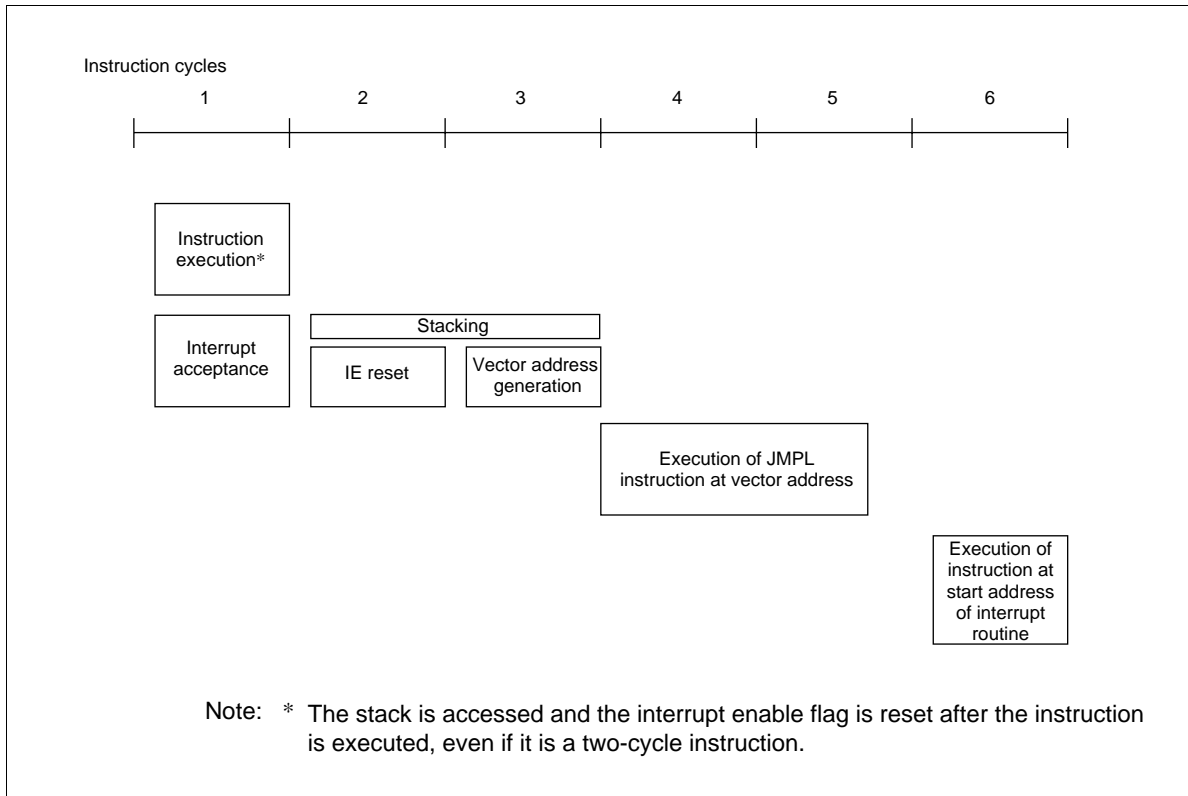


Figure 10 Interrupt Processing Sequence

HD404339 Series

Operating Modes

The MCU has five operating modes as shown in table 3. Transitions between operating modes are shown in figure 11.

Table 3 Operations in Each Operating Mode

Function	Active Mode	Subactive Mode	Standby Mode	Watch Mode	Stop Mode
System oscillator	OP	Stopped	OP	Stopped	Stopped
Subsystem oscillator	OP	OP	OP	OP	* OP
CPU	OP	OP	Retained	Retained	Reset
RAM	OP	OP	Retained	Retained	Retained
Timer A	OP	OP	OP	OP	Reset
Timers B, C	OP	OP	OP	Stopped	Reset
Serial	OP	OP	OP	Stopped	Reset
A/D	OP	Stopped	OP	Stopped	Reset
I/O	OP	OP	Retained	Retained	Reset

Notes: OP implies in operation.

* Oscillation can be switched on or off with bit 3 of system clock selection register 1 (SSR1: \$027).

HD404339 Series

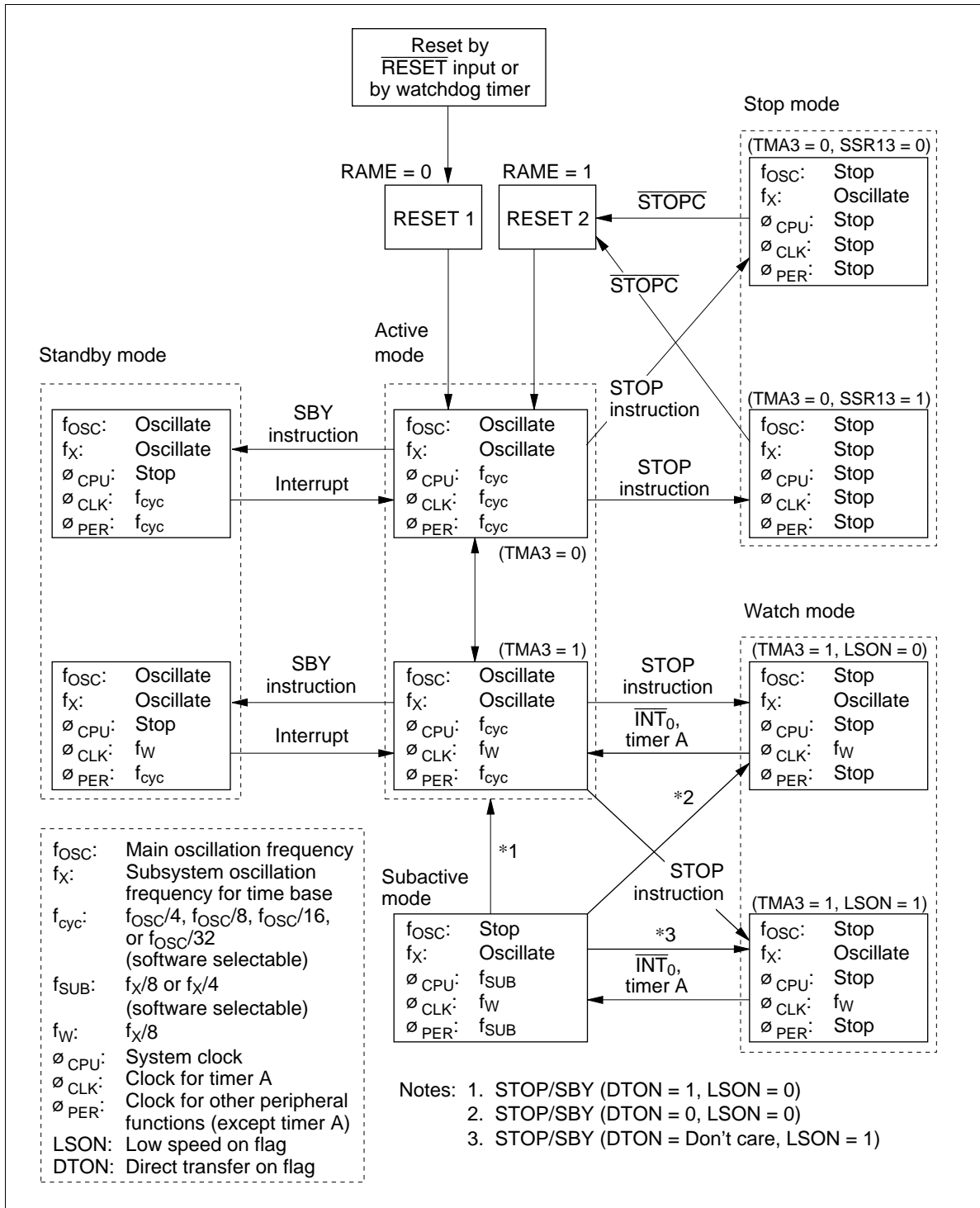


Figure 11 MCU Status Transitions

HD404339 Series

In stop mode, the system oscillator is stopped. To ensure a proper oscillation stabilization period of at least t_{RC} when clearing stop mode, execute the cancellation according to the timing chart in figure 12.

In watch and subactive modes, a timer A or \overline{INT}_0 interrupt can be accepted during the interrupt frame period T (see figure 13).

Note: In watch and subactive modes, an interrupt will not be properly detected if the \overline{INT}_0 high or low level period is shorter than the interrupt frame period T. Thus, when operating in watch and subactive modes, maintain the \overline{INT}_0 high or low level period longer than period T to ensure interrupt detection.

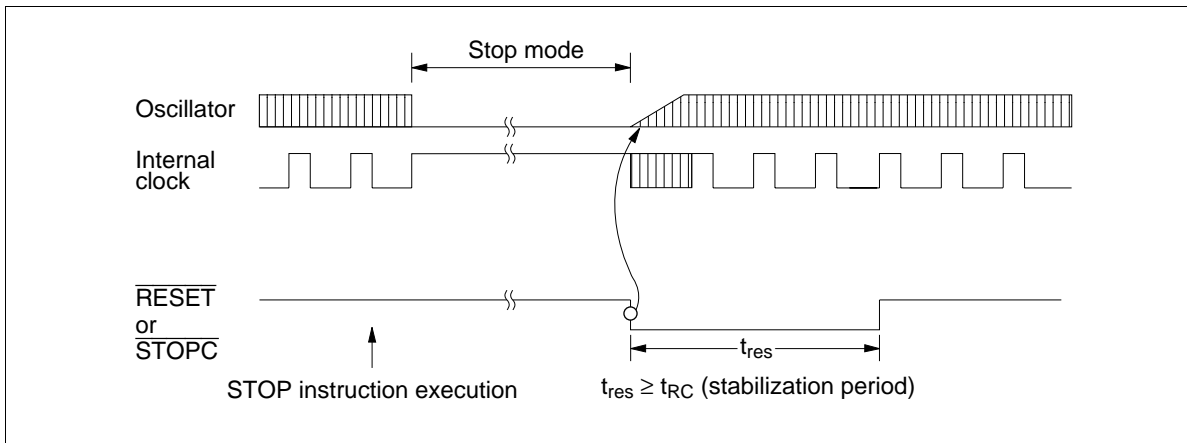


Figure 12 Timing of Stop Mode Cancellation

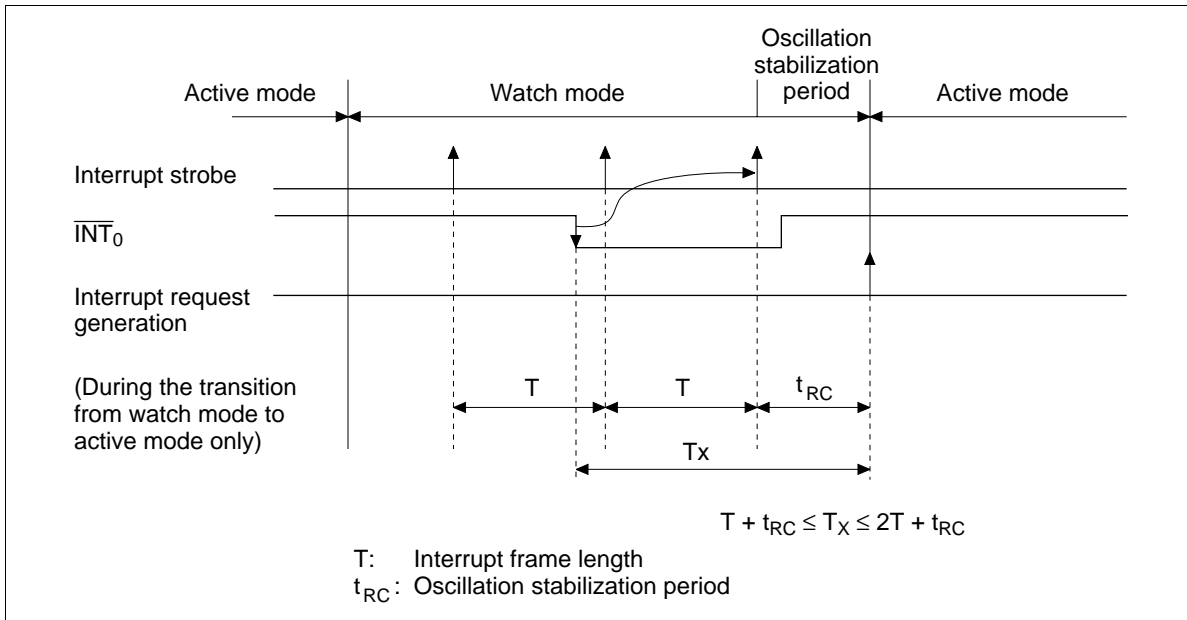


Figure 13 Interrupt Frame

HD404339 Series

The MCU automatically provides an oscillation stabilization period t_{RC} when operation switches from watch mode to active mode. The interrupt frame period T and one of three values for t_{RC} can be selected with the miscellaneous register (MIS: \$00C), as listed in figure 14.

Operation can switch directly from subactive mode to active mode, as illustrated in figure 15. In this case, the transition time T_D obeys the following relationship.

$$t_{RC} < T_D < T + t_{RC}$$

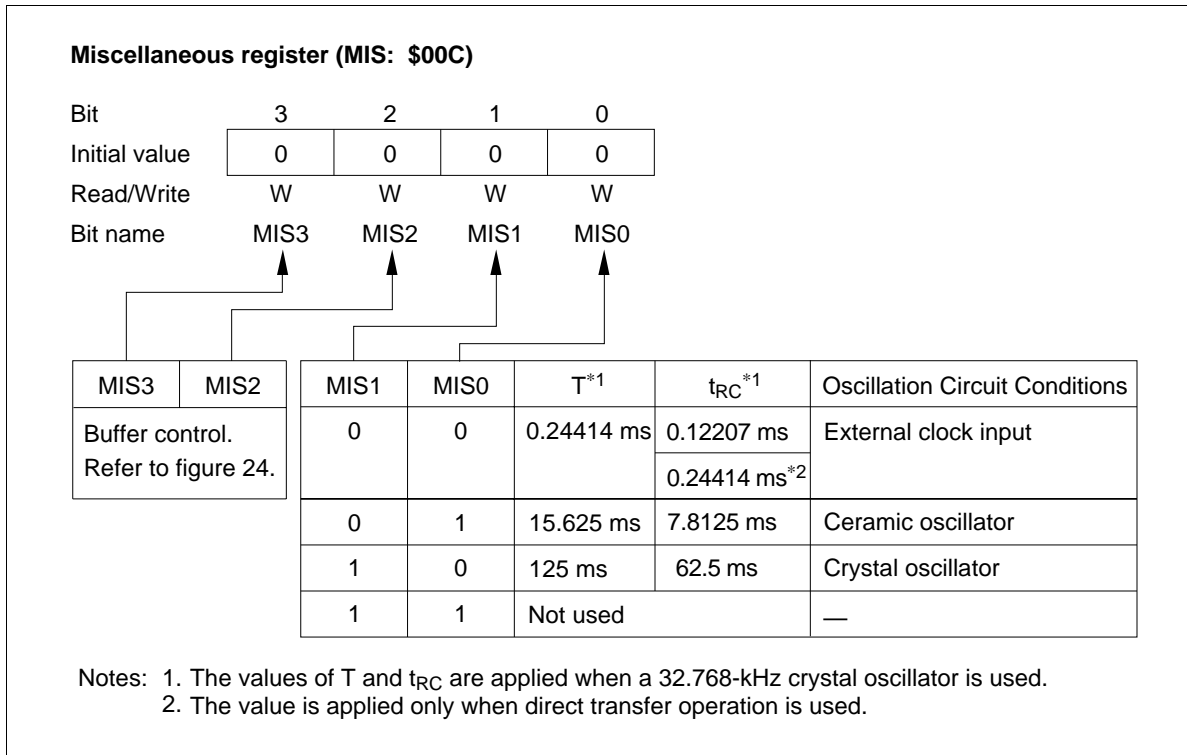


Figure 14 Miscellaneous Register

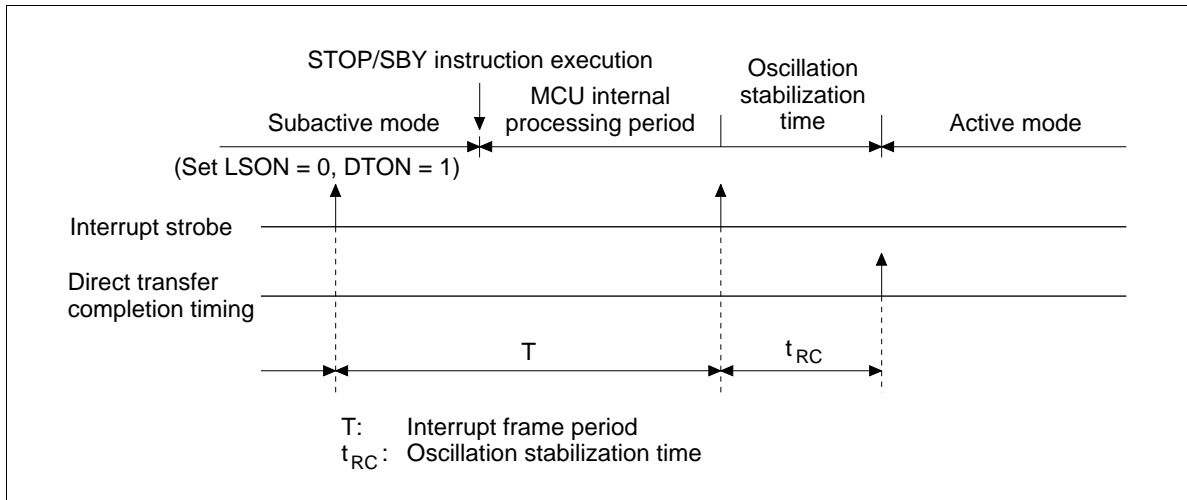


Figure 15 Direct Transition Timing

MCU Operation Sequence: The MCU operation flow is shown in figures 16 and 17. $\overline{\text{RESET}}$ input is asynchronous, and causes an immediate transition to the reset state from any MPU operation state.

The low-power mode operation sequence is shown in figure 17. With the IE flag cleared and an interrupt flag set together with its interrupt mask cleared, if a STOP/SBY instruction is executed, the instruction is cancelled (regarded as an NOP) and the following instruction is executed. Before executing a STOP/SBY instruction, make sure all interrupt flags are cleared or all interrupts are masked.

HD404339 Series

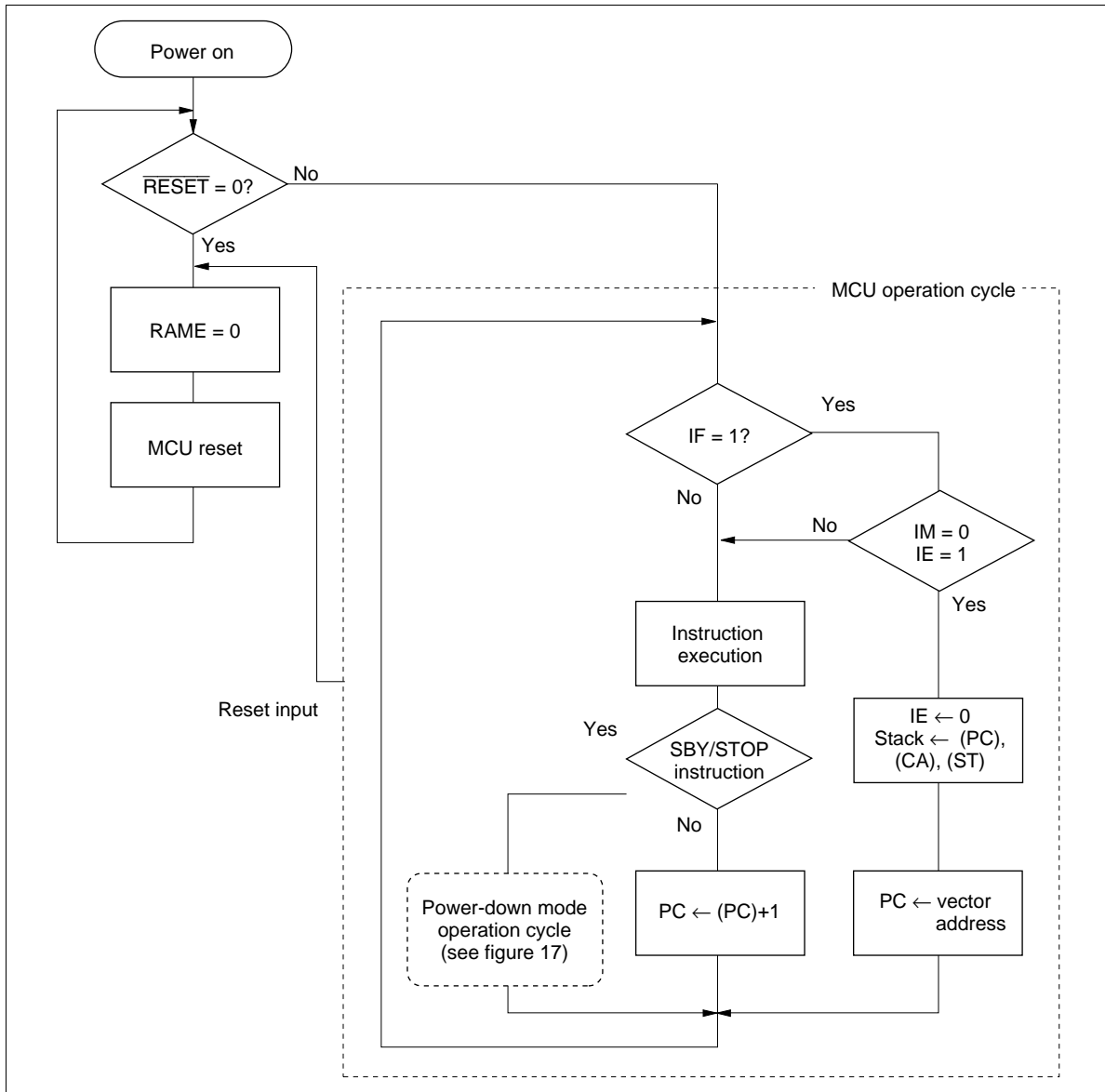


Figure 16 MCU Operation Sequence (Power On)

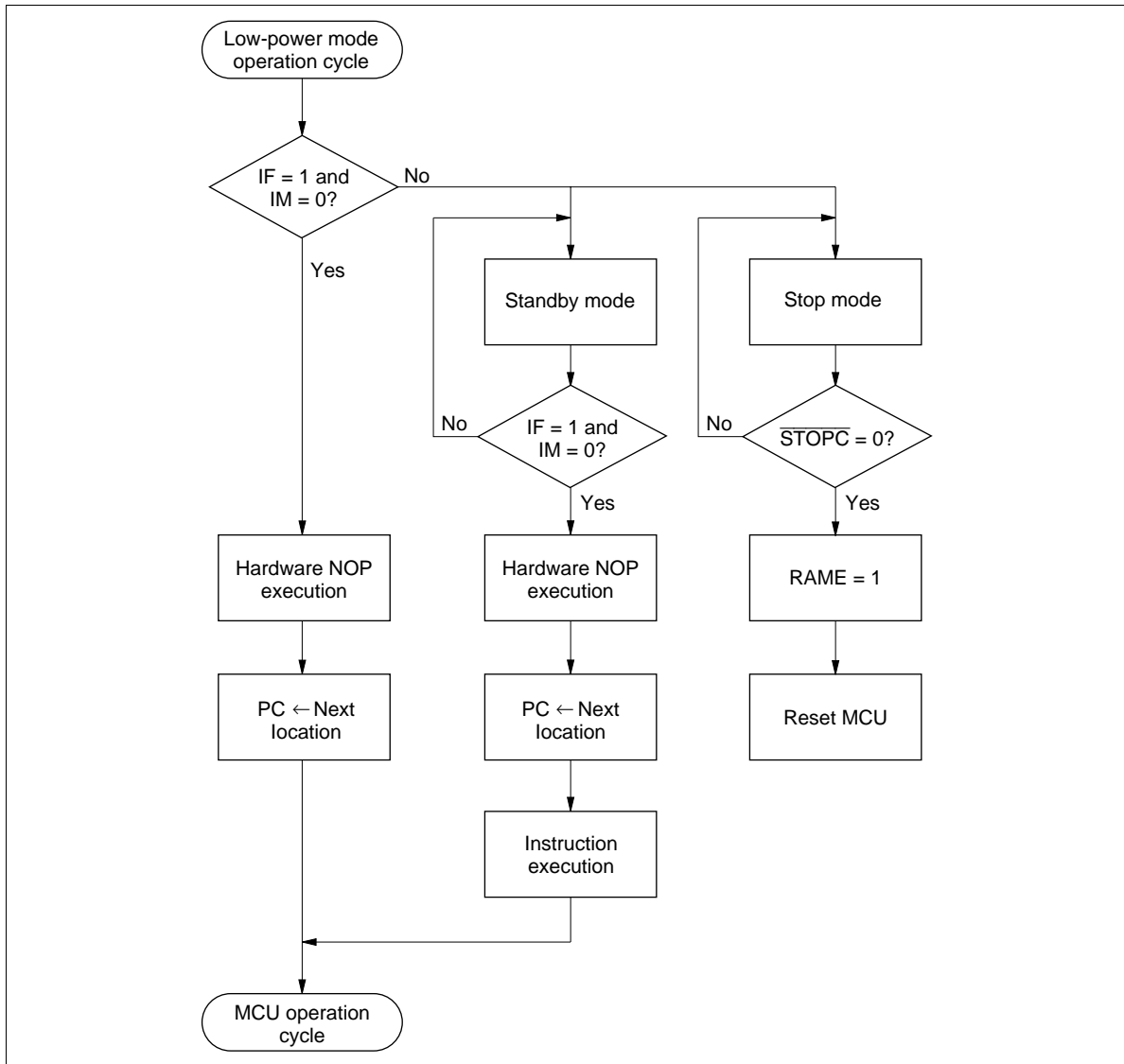


Figure 17 MCU Operating Sequence (Low-Power Mode Operation)

HD404339 Series

Oscillator Circuit

Figure 18 shows a block diagram of the clock generation circuit. The system clock frequency of the oscillator connected to OSC_1 and OSC_2 can be selected by system clock selection registers 1 and 2 (SSR1, 2: \$027, \$028) as shown in figures 20 and 21.

The system clock division ratio can be set by software to be 1/4, 1/8, 1/16, or 1/32. The subsystem clock division ratio can be set by software to be 1/4 or 1/8.

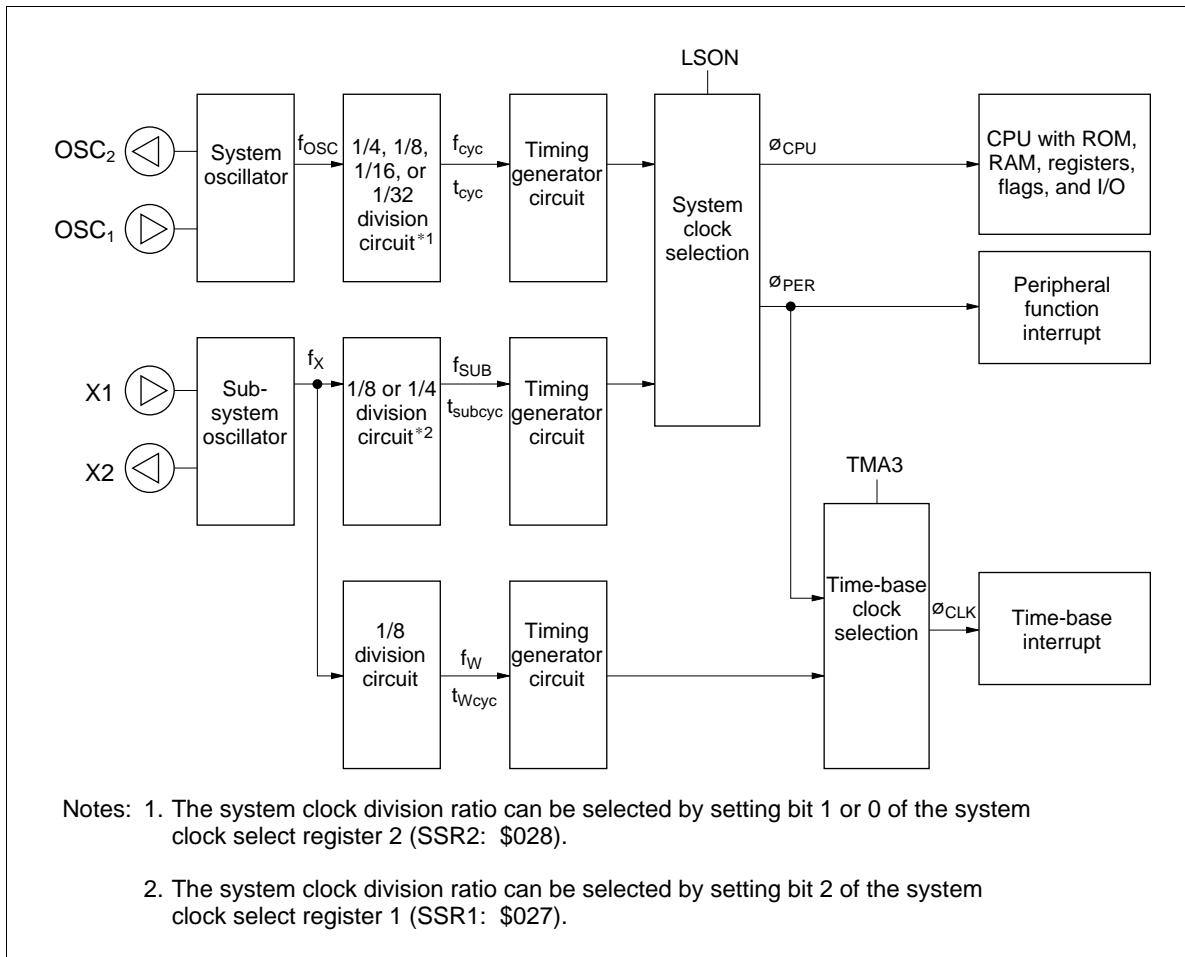


Figure 18 Clock Generation Circuit

HD404339 Series

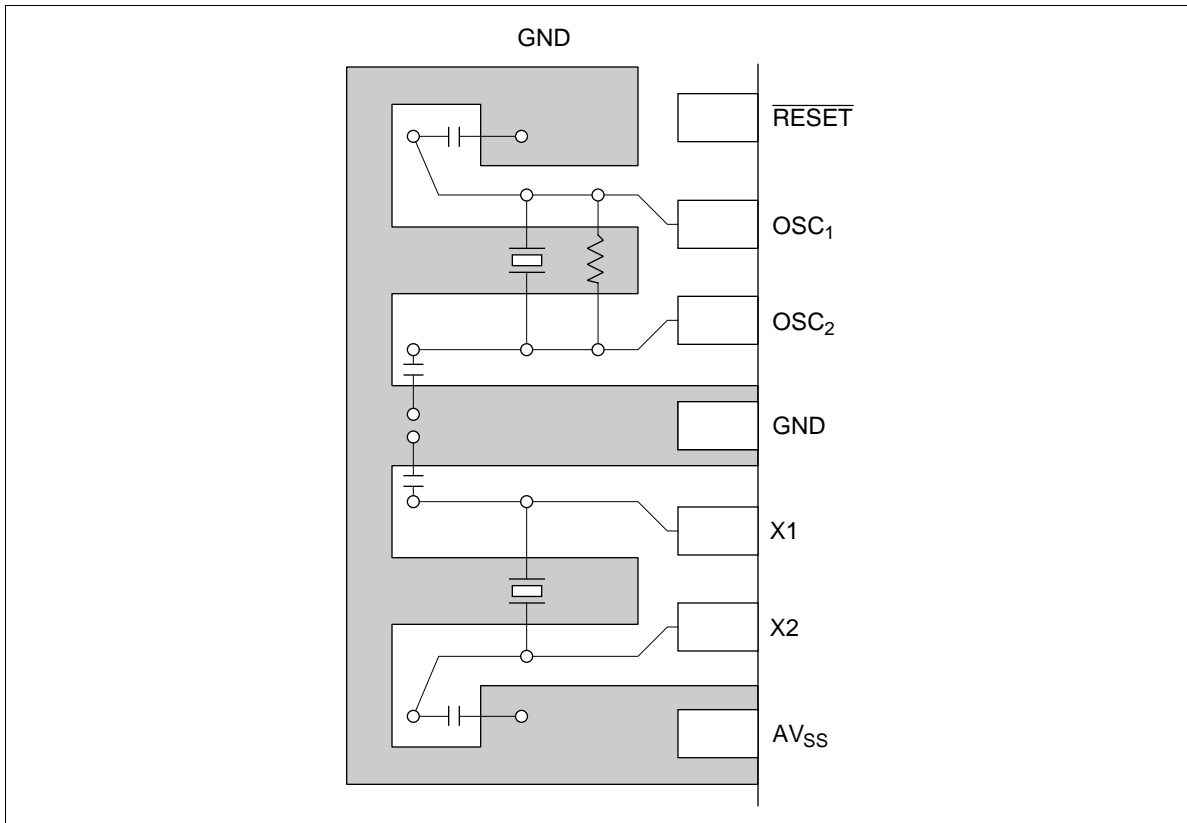
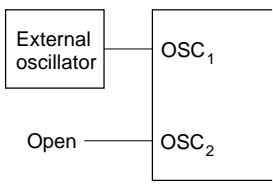
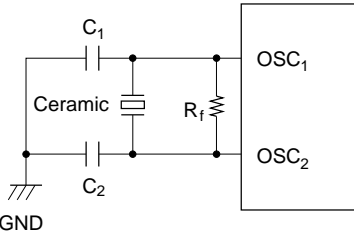
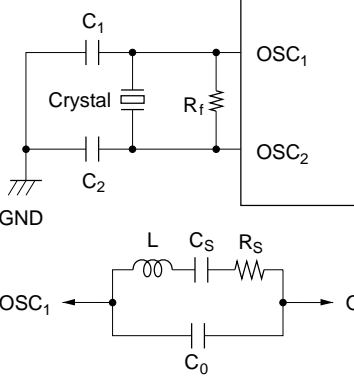
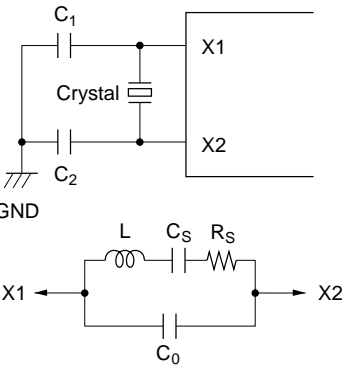


Figure 19 Typical Layout of Crystal and Ceramic Oscillators

HD404339 Series

Table 4 Oscillator Circuit Examples

	Circuit Configuration	Circuit Constants
External clock operation		
Ceramic oscillator (OSC ₁ , OSC ₂)		Ceramic oscillator: CSA4.00MG (Murata) $R_f = 1\text{ M}\Omega \pm 20\%$ $C_1 = C_2 = 30\text{ pF} \pm 20\%$
Crystal oscillator (OSC ₁ , OSC ₂)		$R_f = 1\text{ M}\Omega \pm 20\%$ $C_1 = C_2 = 10\text{ to }22\text{ pF} \pm 20\%$ Crystal: Equivalent to circuit shown below $C_0 = 7\text{ pF max.}$ $R_s = 100\ \Omega\text{ max.}$
Crystal oscillator (X1, X2)		Crystal: 32.768 kHz: MX38T (Nippon Denpa) $C_1 = C_2 = 20\text{ pF} \pm 20\%$ $R_s = 14\text{ k}\Omega$ $C_0 = 1.5\text{ pF}$

- Notes:
- Since the circuit constants change depending on the crystal or ceramic oscillator and stray capacitance of the board, the user should consult with the crystal or ceramic oscillator manufacturer to determine the circuit parameters.
 - Wiring among OSC₁, OSC₂, X1, X2 and elements should be as short as possible, and must not cross other wiring (see figure 19).
 - When a 32.768-kHz crystal oscillator is not used, fix pin X1 to GND and leave pin X2 open.

HD404339 Series

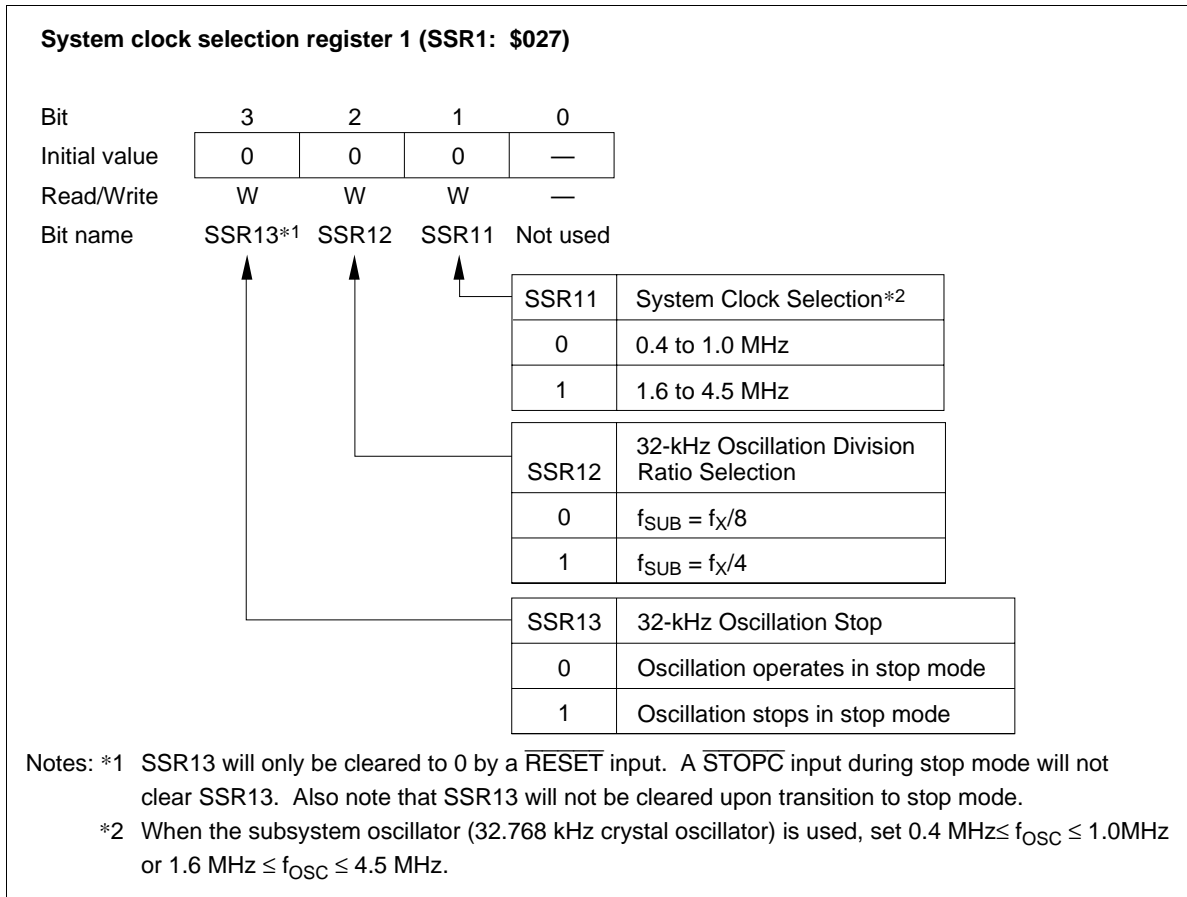


Figure 20 System Clock Selection Register 1 (SSR1)

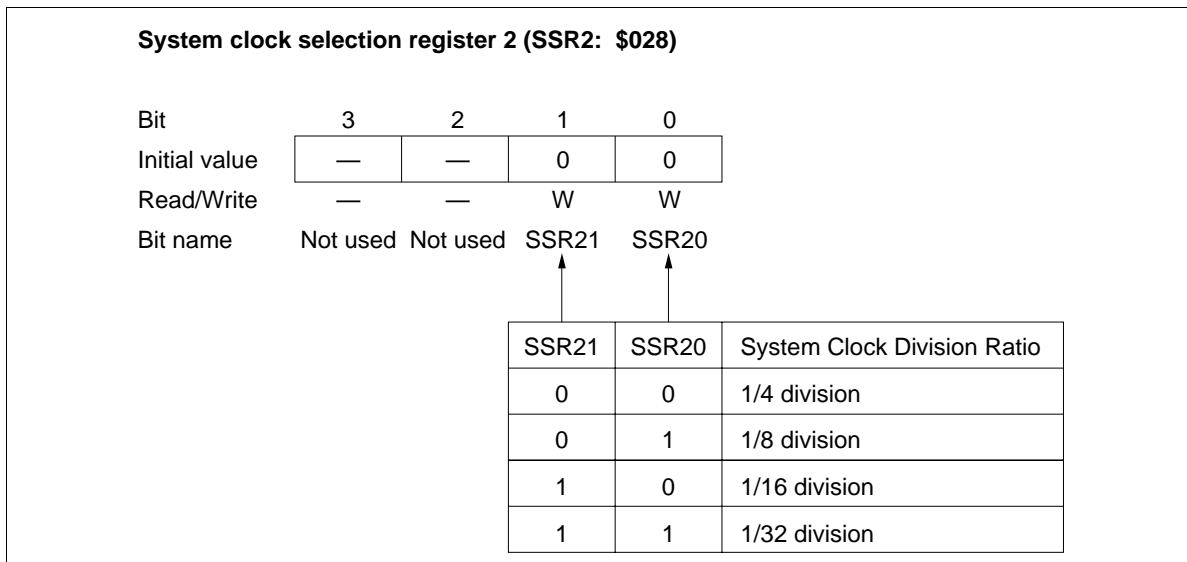


Figure 21 System Clock Selection Register 2 (SSR2)

HITACHI

HD404339 Series

I/O Ports

The MCU has 53 input/output pins (D_0 – D_{13} , $R0_0$ – $R9_3$) and one input-only pin (RA_1).

- The 30 pins consisting of ports D_0 – D_{13} , $R1$, $R2$, $R8$, and $R9$ are all high-voltage I/O pins. RA_1 is a high-voltage input-only pin. The high-voltage pins can be equipped with or without pull-down resistance, as selected by the mask option.
- All standard voltage output pins are CMOS output pins. However, the $R0_2$ /SO pin can be programmed for NMOS open-drain output.
- In stop mode, input/output pins go to the high-impedance state.
- All standard voltage input/output pins have pull-up MOS built in, which can be individually turned on or off by software (Table 5).

Pull-up MOS on/off settings can be made independently of settings as on-chip supporting module pins.

Table 5 Control of Standard I/O Pins by Program

MIS3 (bit 3 of MIS)		0				1			
DCR		0		1		0		1	
PDR		0	1	0	1	0	1	0	1
CMOS buffer	PMOS	—	—	—	On	—	—	—	On
	NMOS	—	—	On	—	—	—	On	—
Pull-up MOS		—	—	—	—	—	On	—	On

Note: — indicates off.

HD404339 Series

Data control register (DCR0: \$030, DCR3 to DCR7: \$033 to \$037)

DCR0, DCR3 to DCR7

Bit	3	2	1	0
Initial value	0	0	0	0
Read/Write	W	W	W	W
Bit name	DCR03, DCR33 to DCR63	DCR02, DCR32 to DCR72	DCR01, DCR31 to DCR71	DCR00, DCR30 to DCR70

Bits 0 to 3	CMOS Buffer Control
0	CMOS buffer off (high impedance)
1	CMOS buffer on

Correspondence between ports and DCR bits

Register	Bit 3	Bit 2	Bit 1	Bit 0
DCR0	R0 ₃	R0 ₂	R0 ₁	R0 ₀
DCR3	R3 ₃	R3 ₂	R3 ₁	R3 ₀
DCR4	R4 ₃	R4 ₂	R4 ₁	R4 ₀
DCR5	R5 ₃	R5 ₂	R5 ₁	R5 ₀
DCR6	R6 ₃	R6 ₂	R6 ₁	R6 ₀
DCR7	Not used	R7 ₂	R7 ₁	R7 ₀

Figure 22 Data Control Register (DCR)

HD404339 Series

Table 6 Circuit Configurations of Standard I/O Pins

I/O Pin Type	Circuit	Pins	
Input/output pins		<p>R0₀, R0₁, R0₃, R3₀–R3₃, R4₀–R4₃, R5₀–R5₃, R6₀–R6₃, R7₀–R7₂</p>	
		R0 ₂	
Peripheral function pins	Input/output pins		SCK
	Output pins		SO
			TOC

HD404339 Series

I/O Pin Type	Circuit	Pins
Peripheral function Input/ pins		SI
		AN ₀ -AN ₁₁

- Notes: 1. In stop mode, the MCU is reset and the peripheral function selection is cancelled. The \overline{HLT} signal goes low, and input/output pins enter the high-impedance state.
 2. The \overline{HLT} signal is 1 in active, standby, watch, and subactive modes.

Table 7 Circuit Configurations for High-Voltage Input/Output Pins

I/O Pin Type	With Pull-Down Resistance	Without Pull-Down Resistance	Pins
Input/output pins			D ₀ -D ₁₃ , R1 ₀ -R1 ₃ , R2 ₀ -R2 ₃ , R8 ₀ -R8 ₃ , R9 ₀ -R9 ₃
Input pins			RA ₁
Peripheral function pins			BUZZ
Input pins			$\overline{INT_0}$, $\overline{INT_1}$, EVNB, \overline{STOPC}

Note: \overline{HLT} goes high in active, standby, watch, and subactive modes.

HD404339 Series

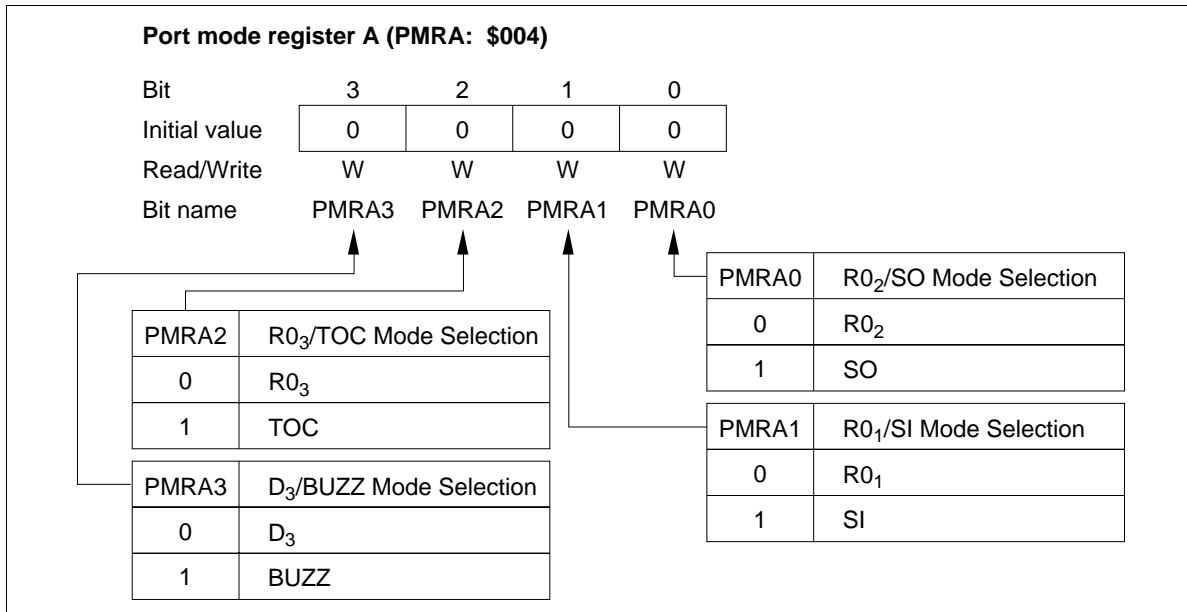


Figure 23 Port Mode Register A (PMRA)

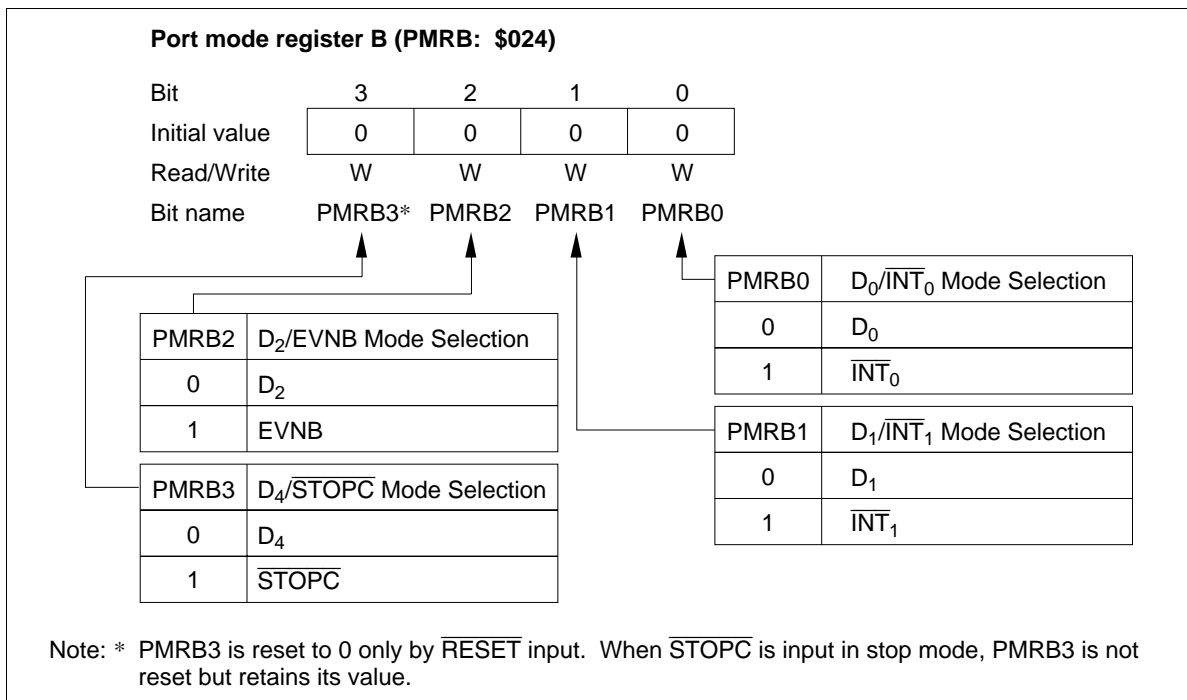


Figure 24 Port Mode Register B (PMRB)

HD404339 Series

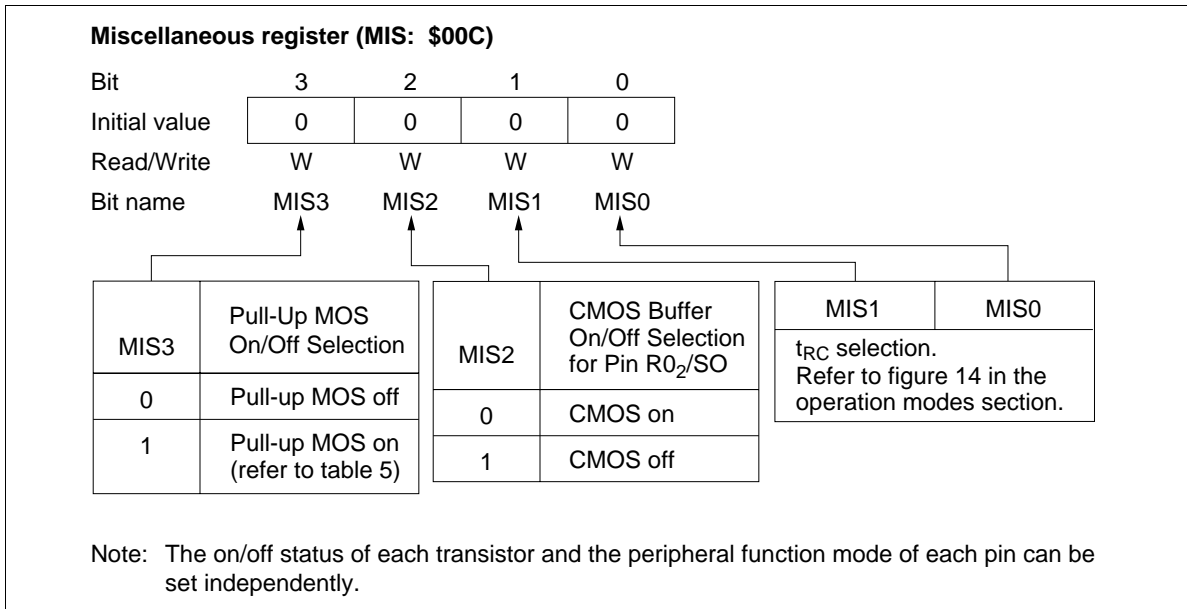


Figure 25 Miscellaneous Register

HD404339 Series

Prescaler

The MCU has two built-in prescalers, S and W (PSS, PSW). They divide the system clock and subsystem clock, and output these divided clocks to the peripheral function modules, as shown in figure 26.

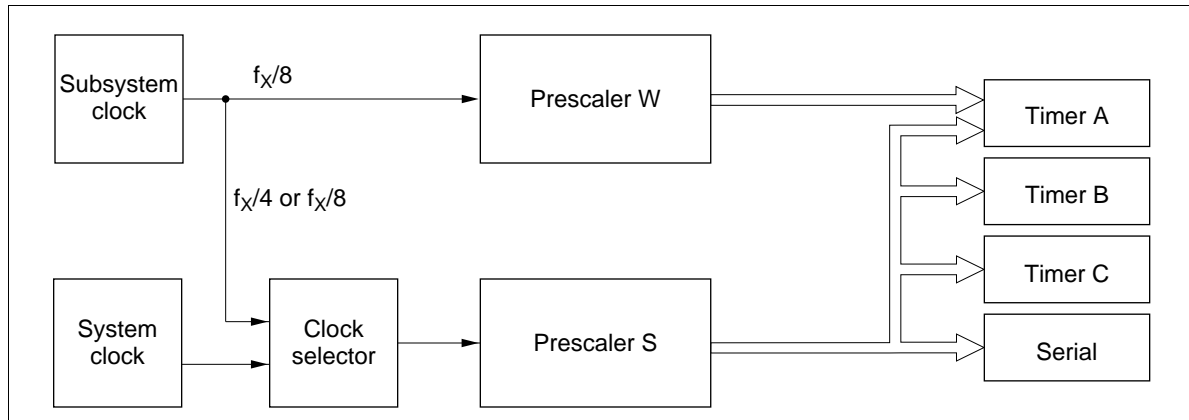


Figure 26 Prescaler Output Supply

Timers

The MCU has three built-in timers A, B, and C. The functions of each timer are listed in table 7.

Timer A

Timer A is an 8-bit free-running timer that can also be used as a clock time-base with a 32.768-kHz subsystem oscillator. Timer A has the following features:

- One of eight internal clocks can be selected from prescaler S according to the setting of timer mode register A (TMA: \$008)
- In time-base mode, one of five internal clocks can be selected from prescaler W according to the setting of timer mode register A
- An interrupt request can be generated when timer counter A (TCA) overflows
- Input clock frequency must not be modified during timer A operation

Table 7 Timer Functions

Functions		Timer A	Timer B	Timer C
Clock source	Prescaler S	Available	Available	Available
	Prescaler W	Available	—	—
	External event	—	Available	—
Timer functions	Free-running	Available	Available	Available
	Time base	Available	—	—
	Event counter	—	Available	—
	Reload	—	Available	Available
	Watchdog	—	—	Available
	Input capture	—	Available	—
Timer output	PWM	—	—	Available

HD404339 Series

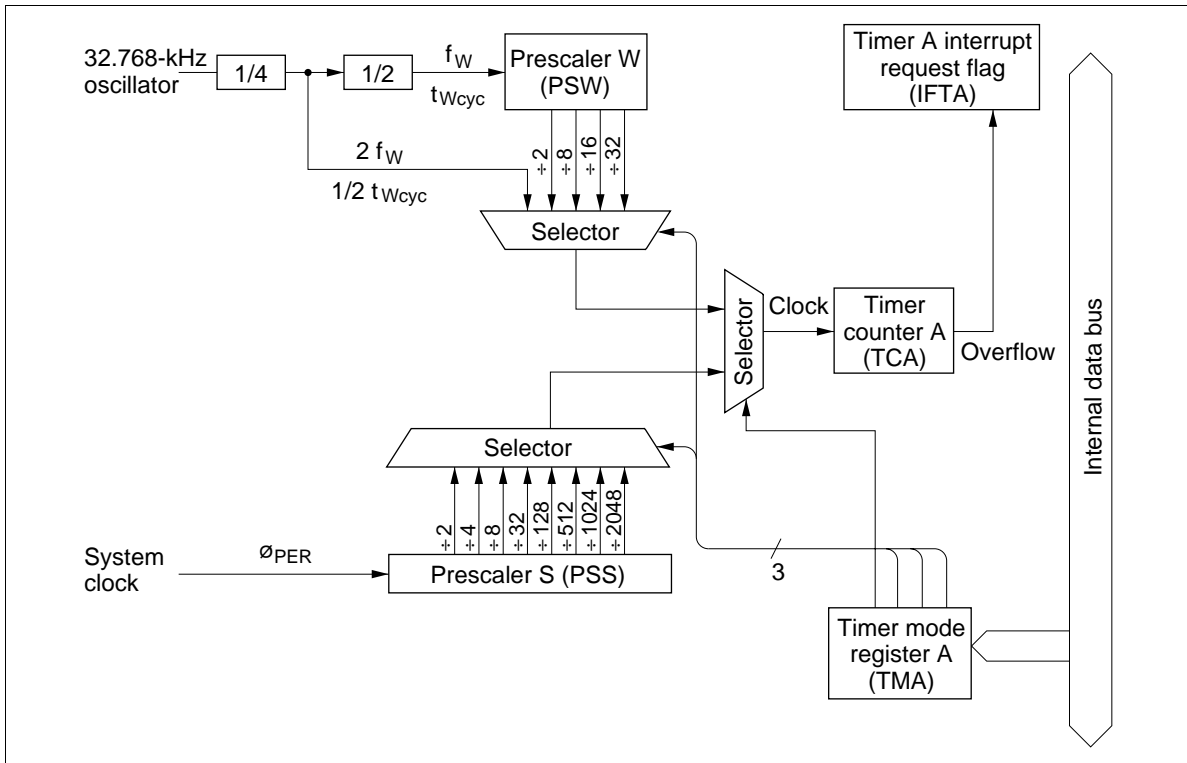


Figure 27 Timer A Block Diagram

HD404339 Series

Timer mode register A (TMA: \$008)

Bit	3	2	1	0
Initial value	0	0	0	0
Read/Write	W	W	W	W
Bit name	TMA3	TMA2	TMA1	TMA0

TMA3	TMA2	TMA1	TMA0	Source Prescaler	Input Clock Frequency	Operating Mode
0	0	0	0	PSS	$2048t_{cyc}$	Timer A mode
			1	PSS	$1024t_{cyc}$	
		1	0	PSS	$512t_{cyc}$	
			1	PSS	$128t_{cyc}$	
	1	0	0	PSS	$32t_{cyc}$	
			1	PSS	$8t_{cyc}$	
		1	0	PSS	$4t_{cyc}$	
			1	PSS	$2t_{cyc}$	
1	0	0	0	PSW	$32t_{Wcyc}$	Time-base mode
			1	PSW	$16t_{Wcyc}$	
		1	0	PSW	$8t_{Wcyc}$	
			1	PSW	$2t_{Wcyc}$	
	1	0	0	PSW	$1/2t_{Wcyc}$	
			1	Not used		
		1	X	PSW and TCA reset		

X = Don't care.

Notes:

1. $t_{Wcyc} = 244.14 \mu s$ (when a 32.768-kHz crystal oscillator is used)
2. Timer counter overflow output period (seconds) = input clock period (seconds) \times 256.
3. The division ratio must not be modified during time-base mode operation, otherwise an overflow cycle error will occur.

Figure 28 Timer Mode Register A (TMA)

HD404339 Series

Timer B

Timer B is an 8-bit multifunction timer that includes free-running, reload, and input capture timer features. These are described as follows.

- By setting timer mode register B1 (TMB1: \$009), one of seven internal clocks supplied from prescaler S can be selected, or timer B can be used as an external event counter
- By setting timer mode register B2 (TMB2: \$026), detection edge type of EVNB can be selected.
- By setting timer write register BL, U (TWBL, U: \$00A, \$00B), timer counter B (TCB) can be written to during reload timer operation
- By setting timer read register BL, U (TRBL, U: \$00A, \$00B), the contents of timer counter B can be read out
- Timer B can be used as an input capture timer to count the clock cycles between trigger edges input as an external event
- An interrupt can be requested when timer counter B overflows or when a trigger input edge is received during input capture operation

HD404339 Series

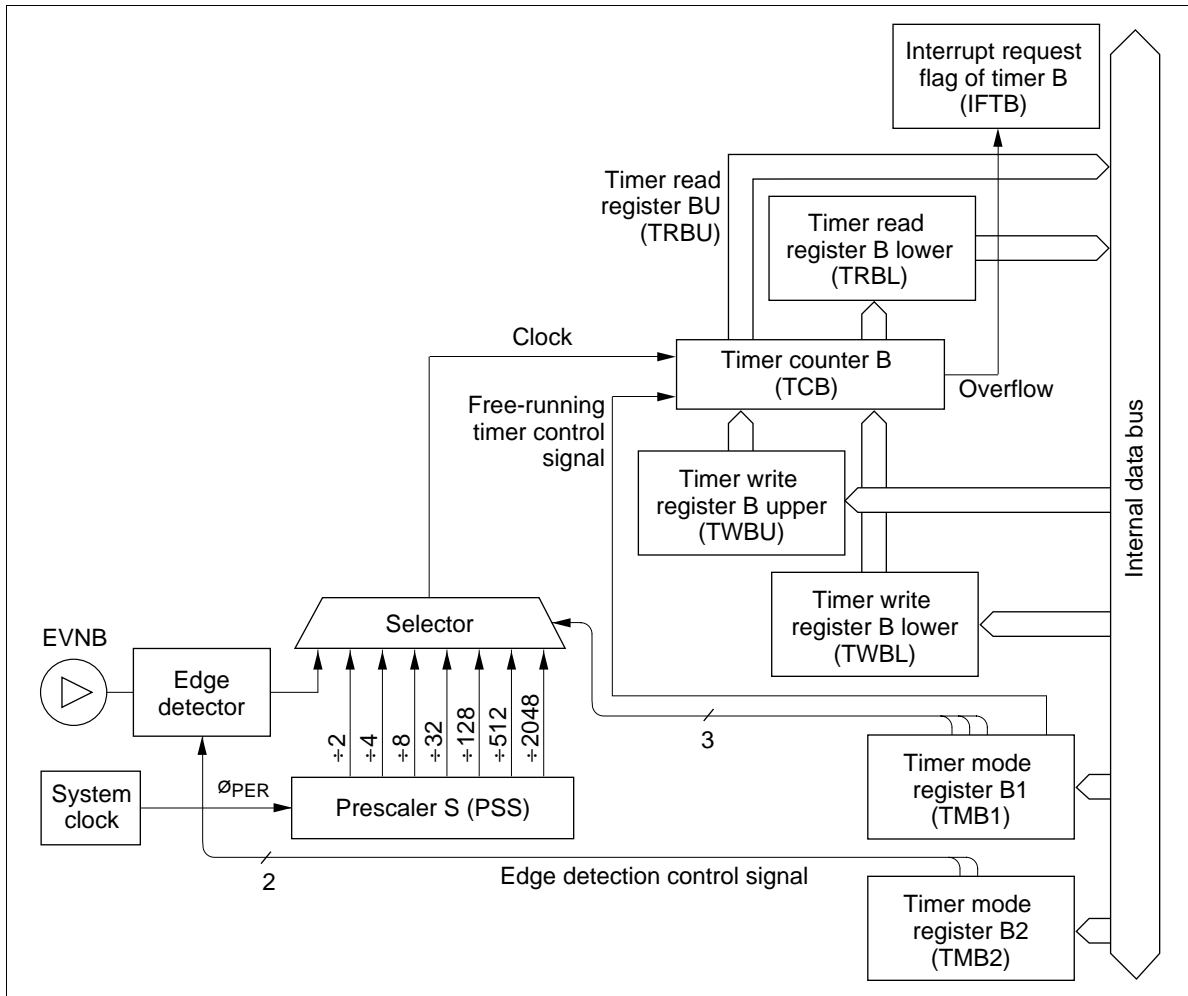


Figure 29 Timer B Free-Running and Reload Operation Block Diagram

HD404339 Series

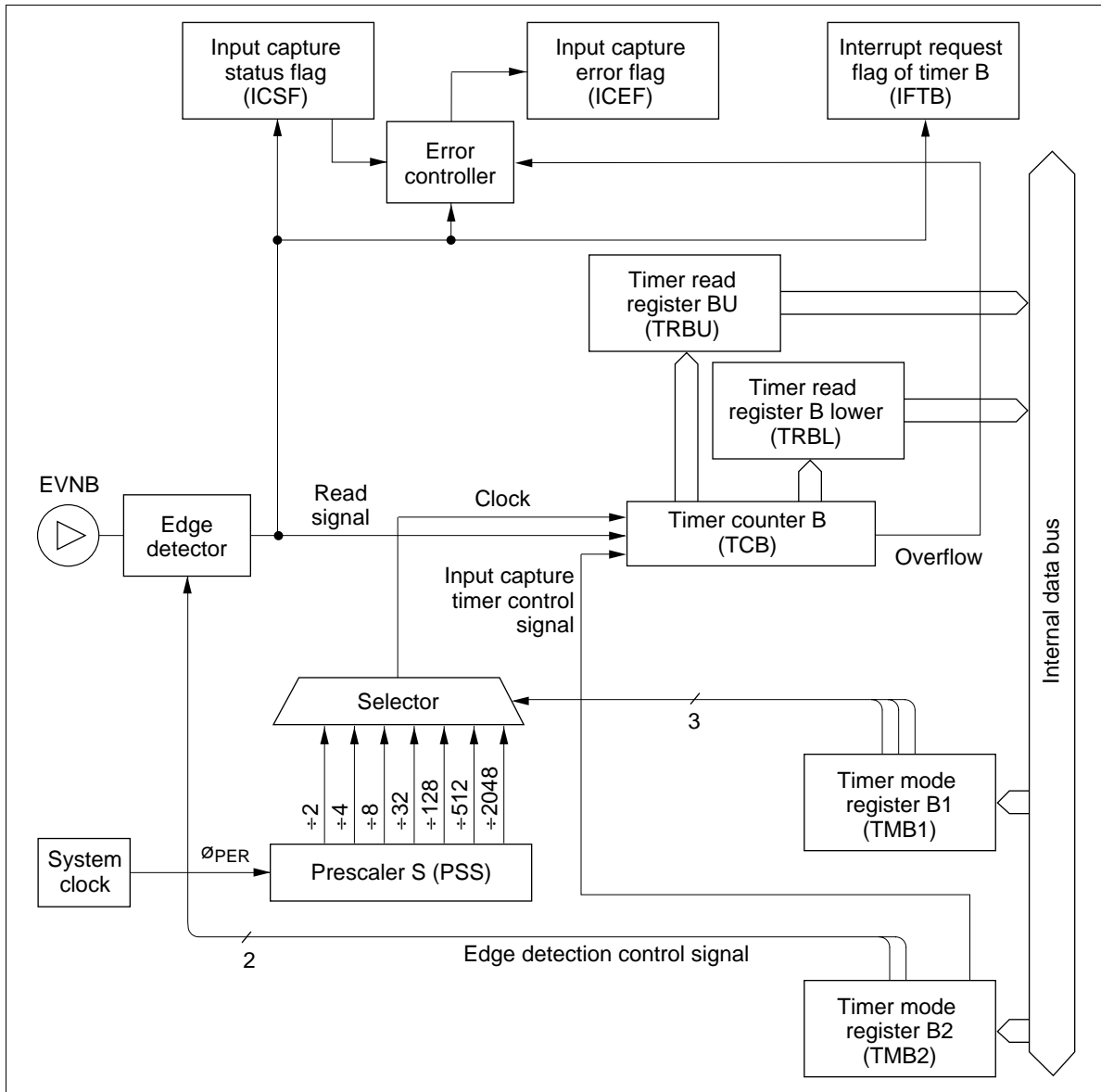


Figure 30 Timer B Input Capture Operation Block Diagram

HD404339 Series

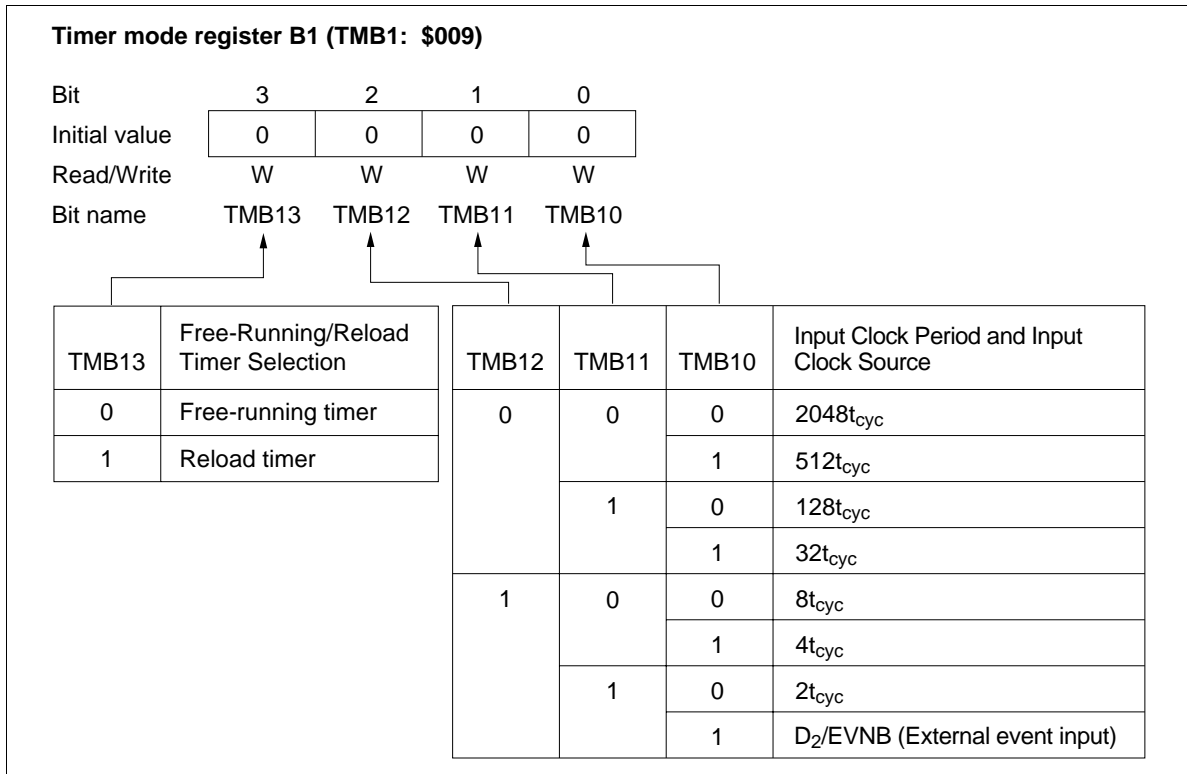


Figure 31 Timer Mode Register B1 (TMB1)

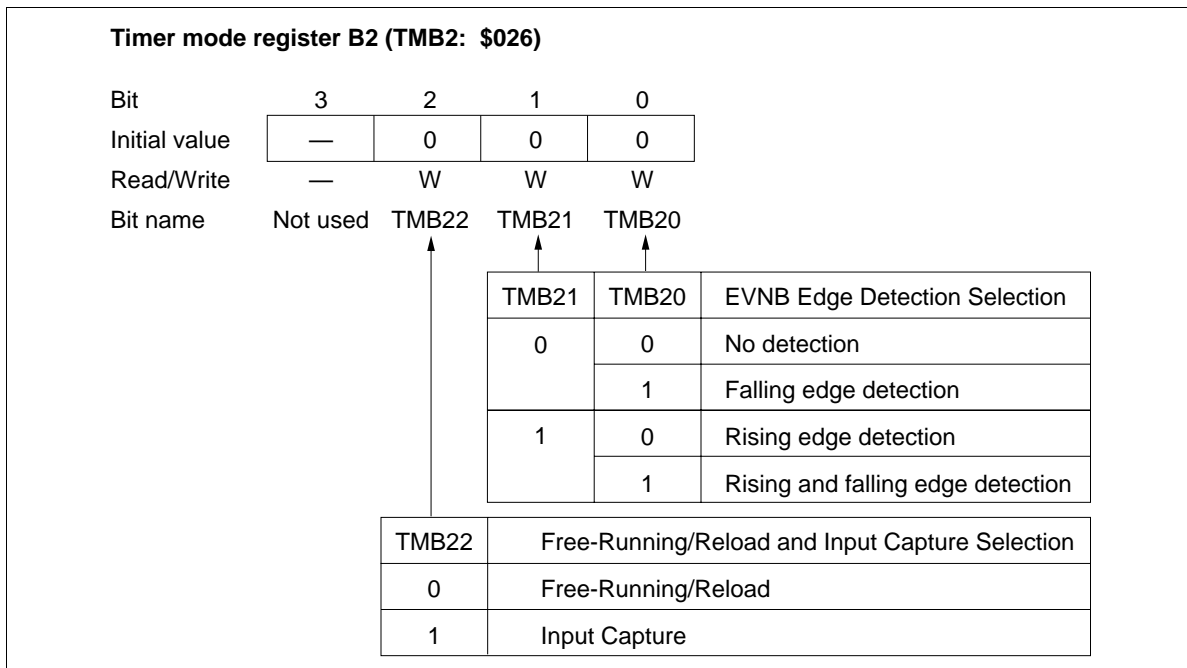


Figure 32 Timer Mode Register B2 (TMB2)

HD404339 Series

Timer C

Timer C is an 8-bit multifunction timer that includes free-running, reload, and watchdog timer features, which are described as follows.

- By setting timer mode register C (TMC: \$00D), one of eight internal clocks supplied from prescaler S can be selected
- By selecting pin TOC with bit 2 (PMRA2) of port mode register A (PMRA: \$004), timer C output (PWM output) is enabled
- By setting timer write register CL, U (TWCL, U: \$00E, \$00F), timer counter C (TCC) can be written to
- By setting timer read register CL, U (TRCL, U: \$00E, \$00F), the contents of timer counter C can be read out
- An interrupt can be requested when timer counter C overflows
- Timer counter C can be used as a watchdog timer for detecting runaway programs

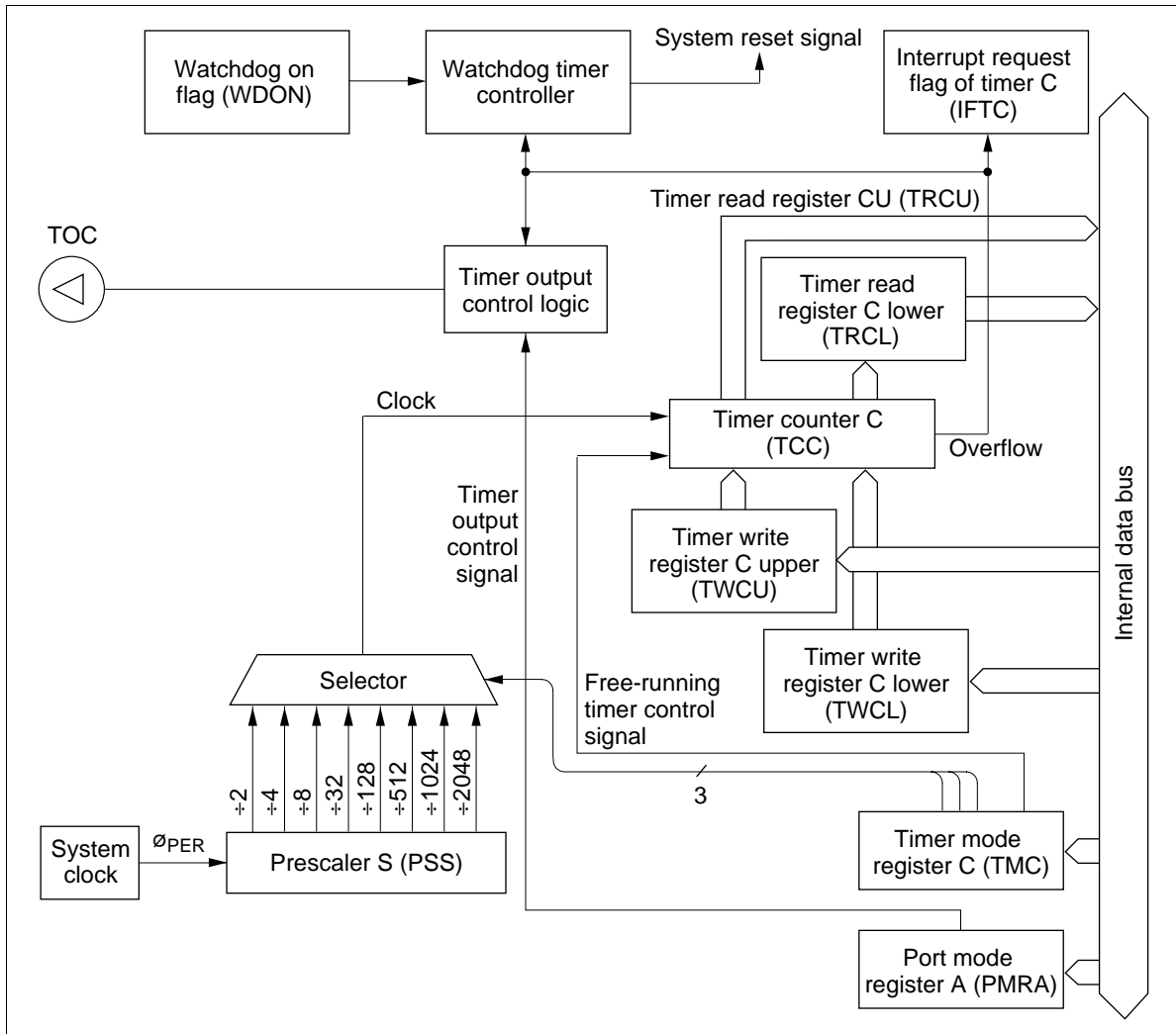


Figure 33 Timer C Block Diagram

HD404339 Series

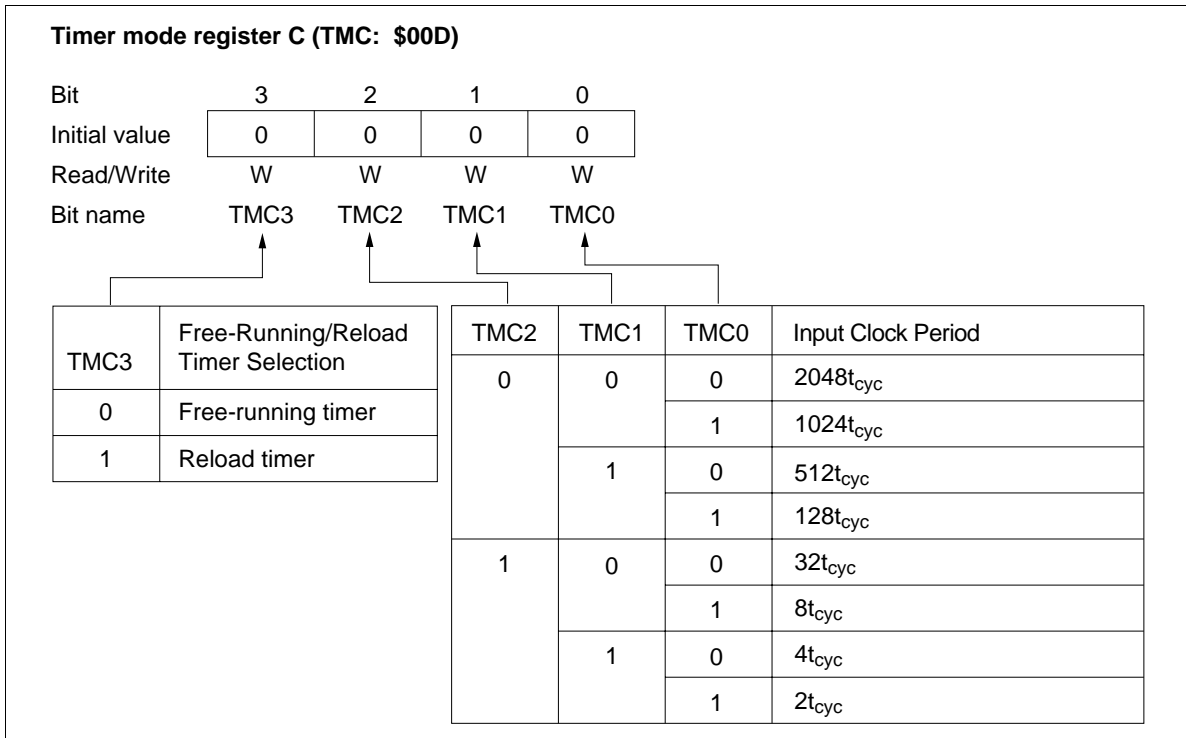


Figure 34 Timer Mode Register C (TMC)

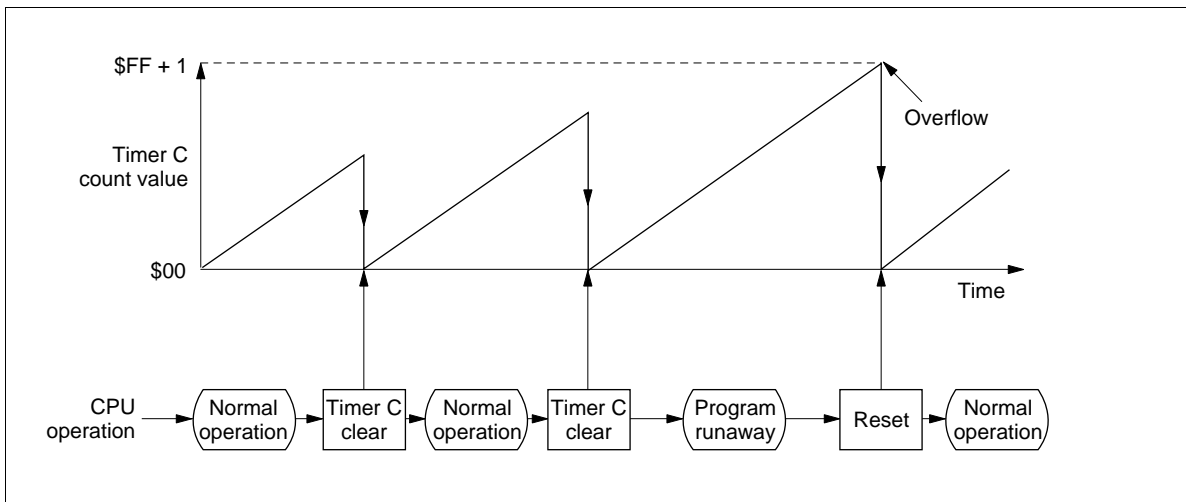
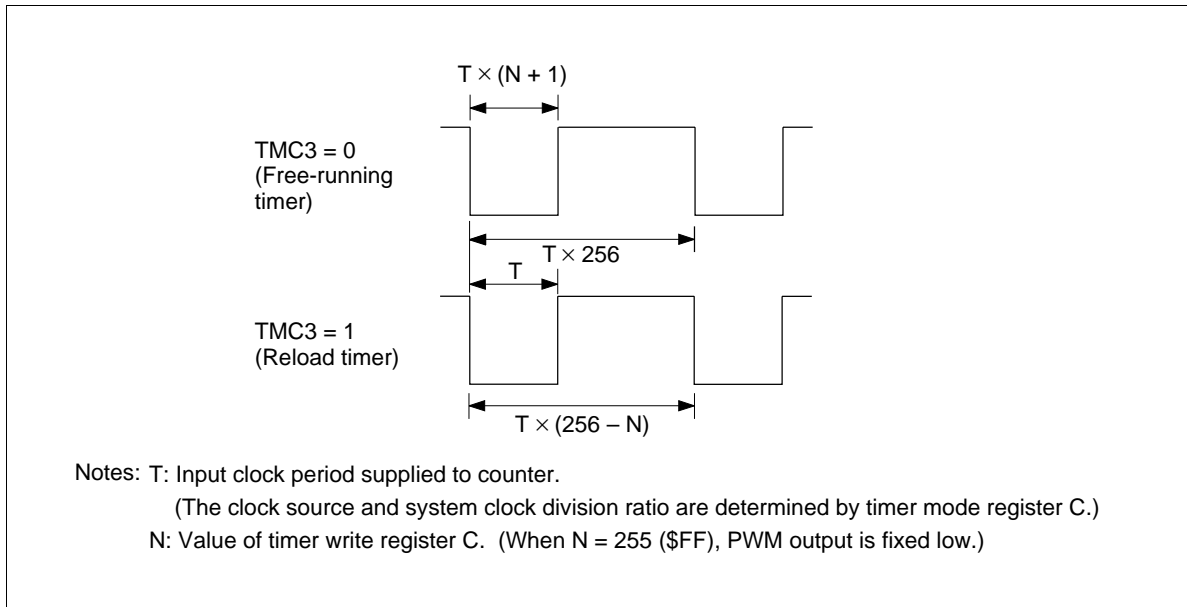


Figure 35 Watchdog Timer Operation Flowchart

HD404339 Series**Figure 36 PWM Output Waveform**

HD404339 Series

Notes on Use

When using the timer output as PWM output, note the following point. From the update of the timer write register until the occurrence of the overflow interrupt, the PWM output differs from the period and duty settings, as shown in table 8. The PWM output should therefore not be used until after the overflow interrupt following the update of the timer write register. After the overflow, the PWM output will have the set period and duty cycle.

Table 8 PWM Output Following Update of Timer Write Register

PWM Output		
Mode	Timer Write Register is Updated during High PWM Output	Timer Write Register is Updated during Low PWM Output
Free running		
Reload		

Alarm Output Function

The MCU has an alarm output function built in. By setting port mode register C (PMRC: \$025), one of four alarm frequencies supplied from the PSS can be selected.

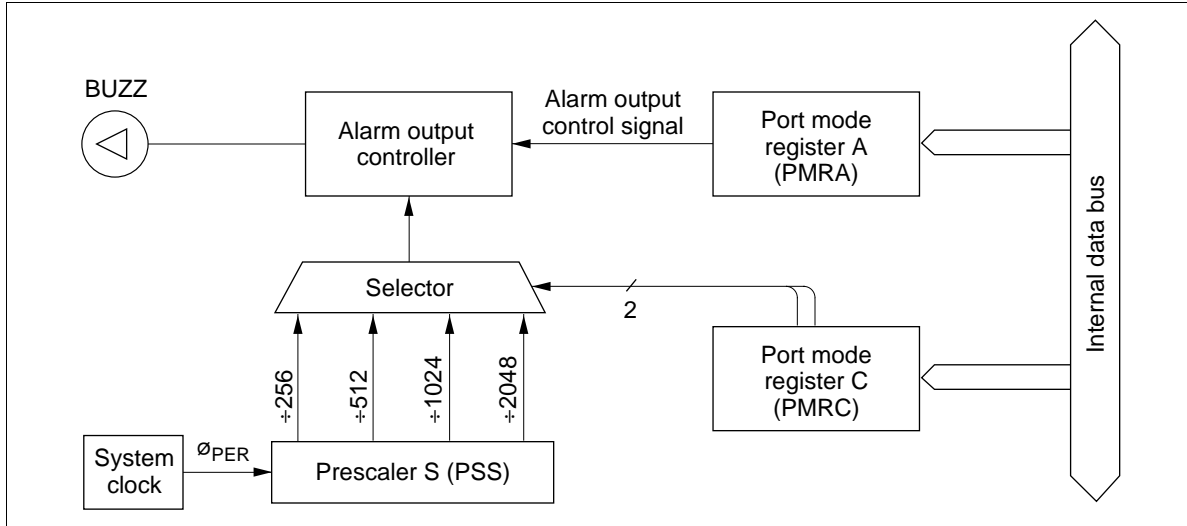


Figure 37 Alarm Output Function Block Diagram

Table 9 Port Mode Register C

PMRC

Bit 3	Bit 2	System Clock Divisor
0	0	÷ 2048
	1	÷ 1024
1	0	÷ 512
	1	÷ 256

HD404339 Series

Table 10 Serial Interface Operating Modes

SMR	PMRA		Operating Mode
	Bit 3	Bit 1	
1	0	0	Continuous clock output mode
		1	Transmit mode
	1	0	Receive mode
		1	Transmit/receive mode

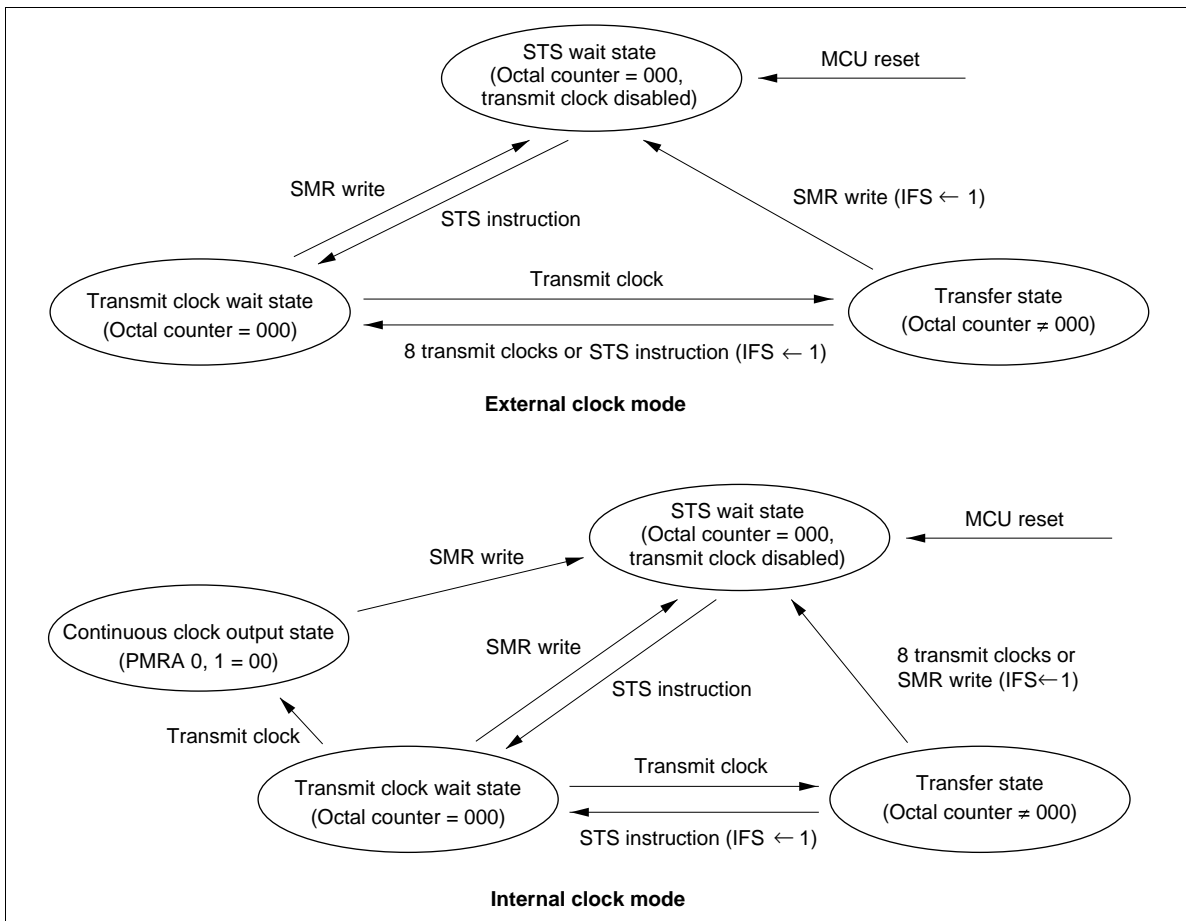


Figure 39 Serial Interface State Transitions

HD404339 Series

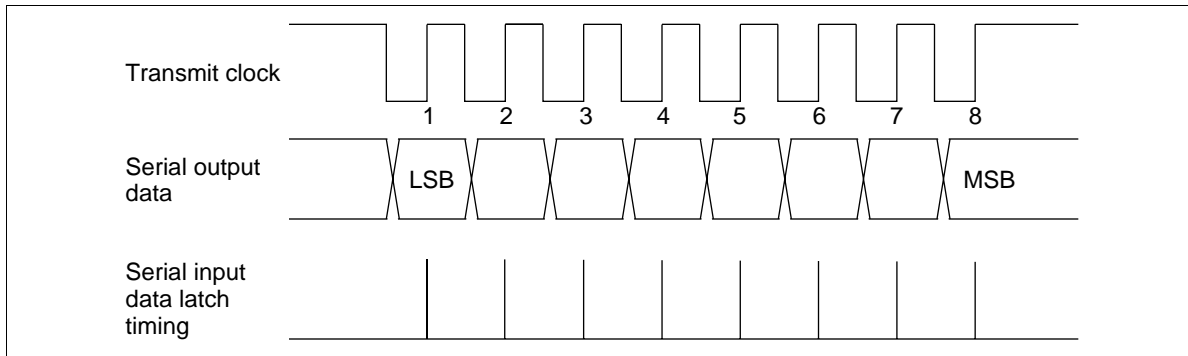


Figure 40 Serial Interface Timing

HD404339 Series

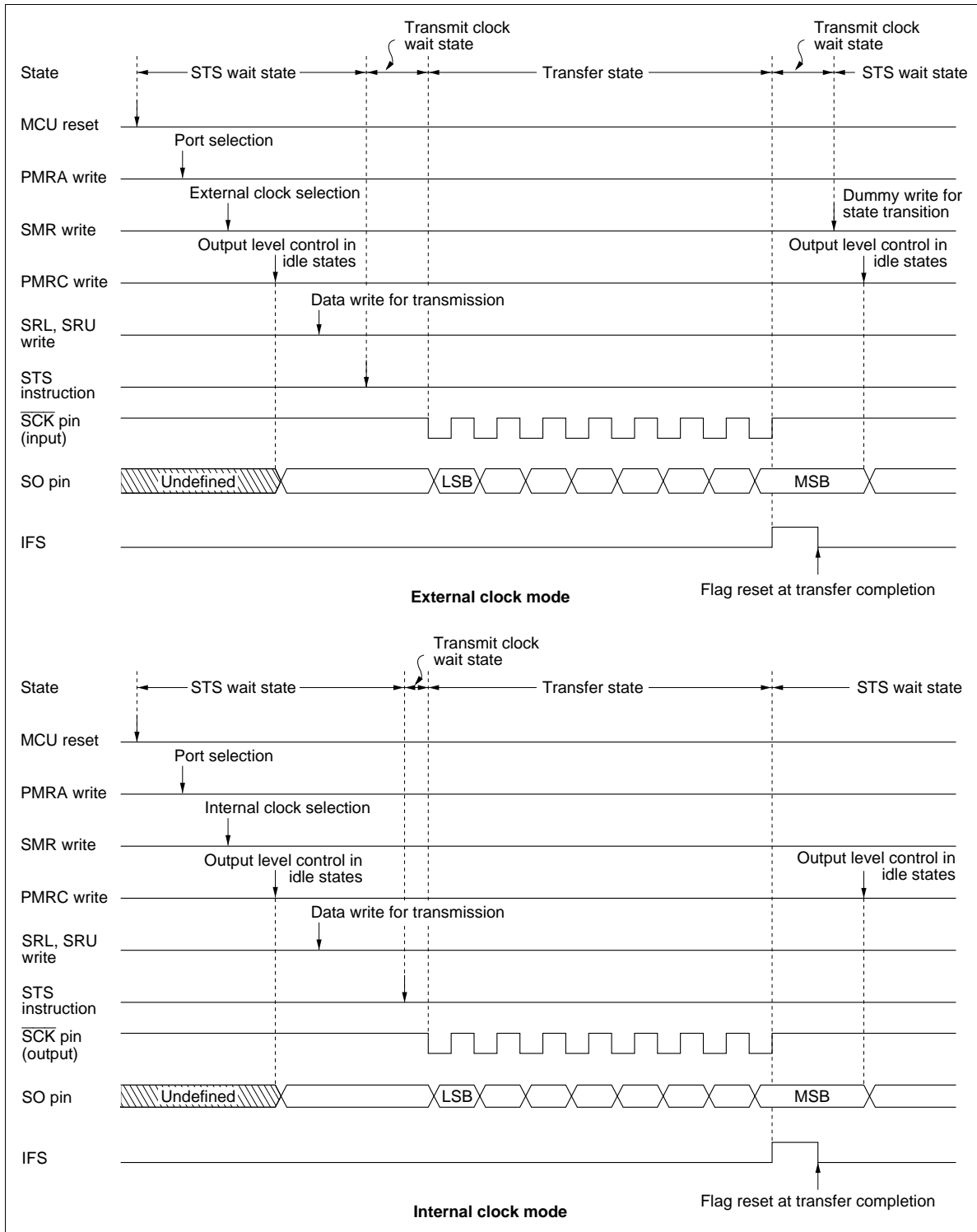


Figure 41 Example of Serial Interface Operation Sequence

HD404339 Series

Transmit clock errors are detected as illustrated in figure 42.

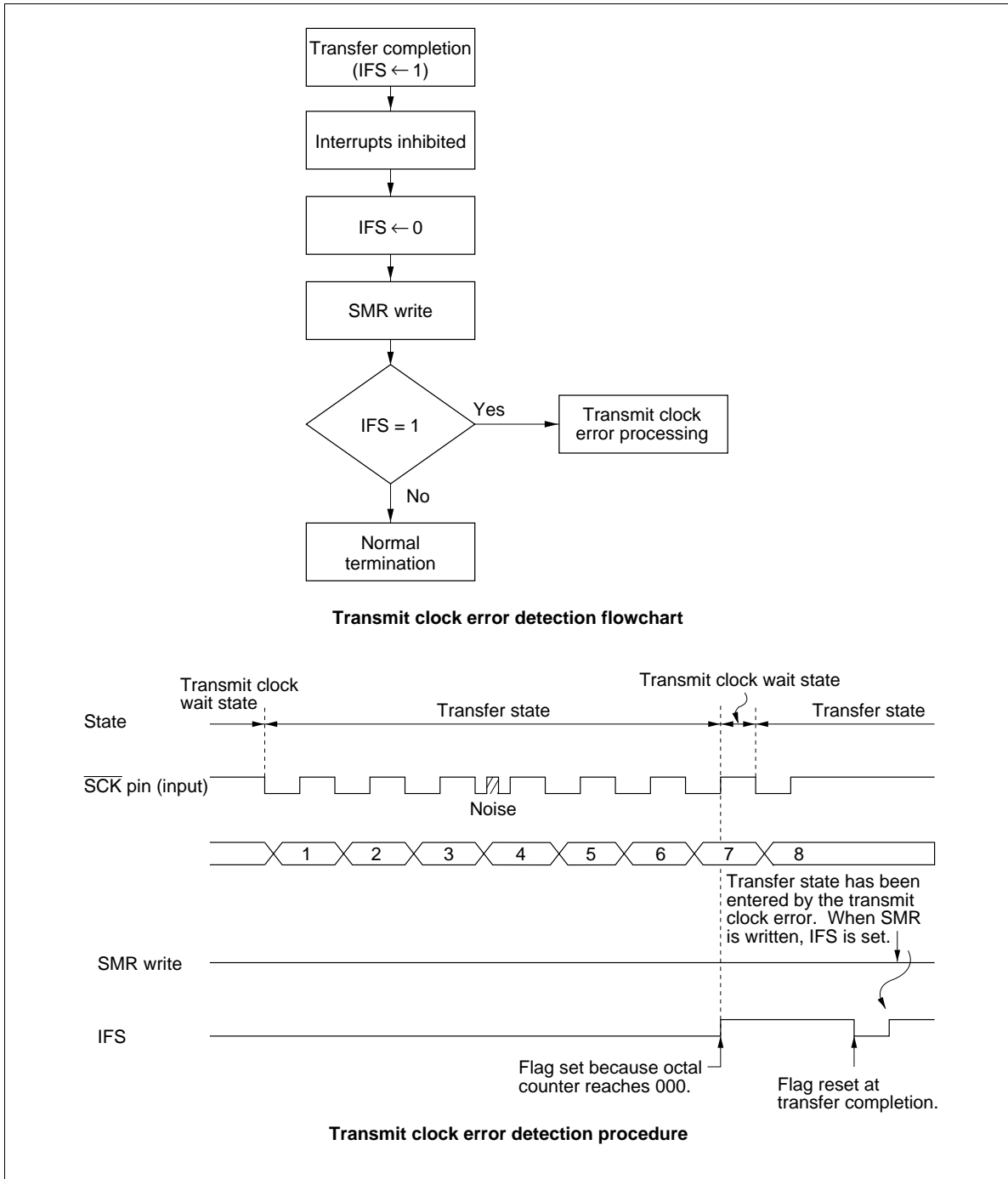
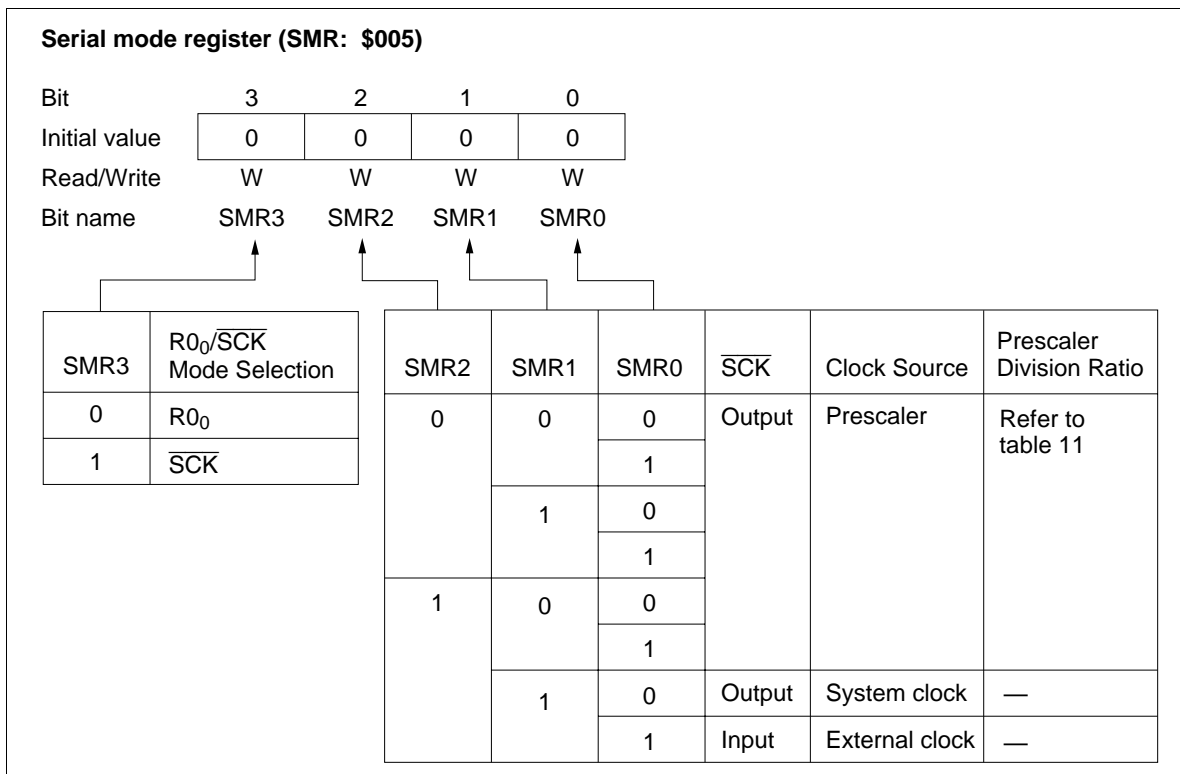


Figure 42 Transmit Clock Error Detection

HD404339 Series

Table 11 Transmit Clock Selection

PMRC	SMR			System Clock Divisor	Transmit Clock Frequency	
Bit 0	Bit 2	Bit 1	Bit 0			
0	0	0	0	$\div 2048$	$4096t_{cyc}$	
			1	$\div 512$	$1024t_{cyc}$	
			1	0	$\div 128$	$256t_{cyc}$
				1	$\div 32$	$64t_{cyc}$
	1	0	0	$\div 8$	$16t_{cyc}$	
			1	$\div 2$	$4t_{cyc}$	
1	0	0	0	$\div 4096$	$8192t_{cyc}$	
			1	$\div 1024$	$2048t_{cyc}$	
			1	0	$\div 256$	$512t_{cyc}$
				1	$\div 64$	$128t_{cyc}$
	1	0	0	$\div 16$	$32t_{cyc}$	
			1	$\div 4$	$8t_{cyc}$	


Figure 43 Serial Mode Register (SMR)

HD404339 Series

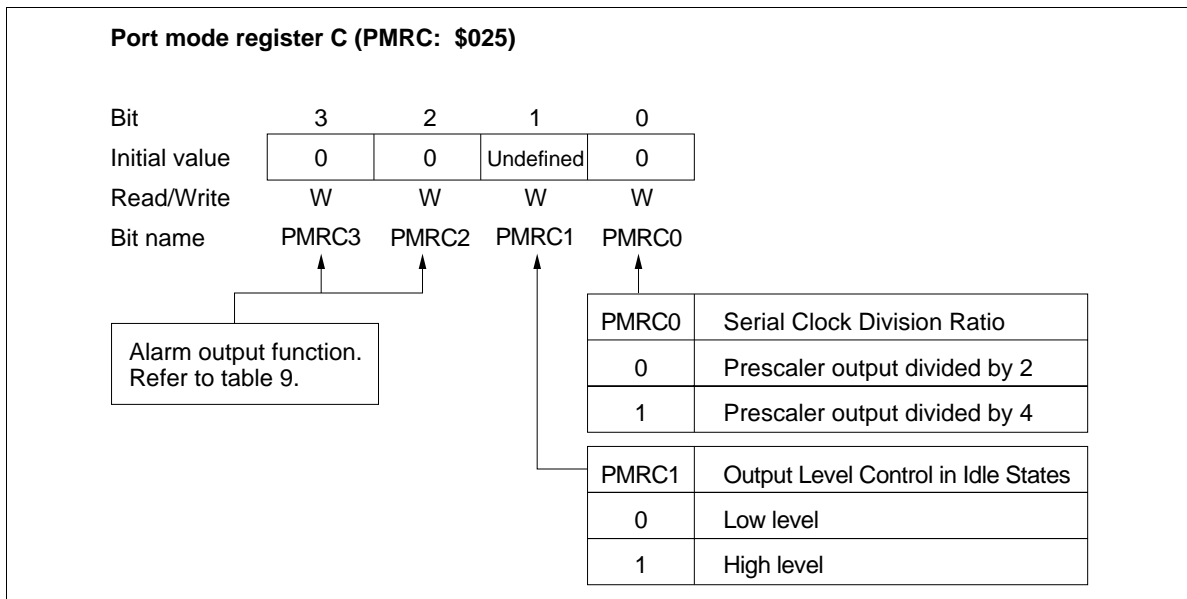


Figure 44 Port Mode Register C (PMRC)

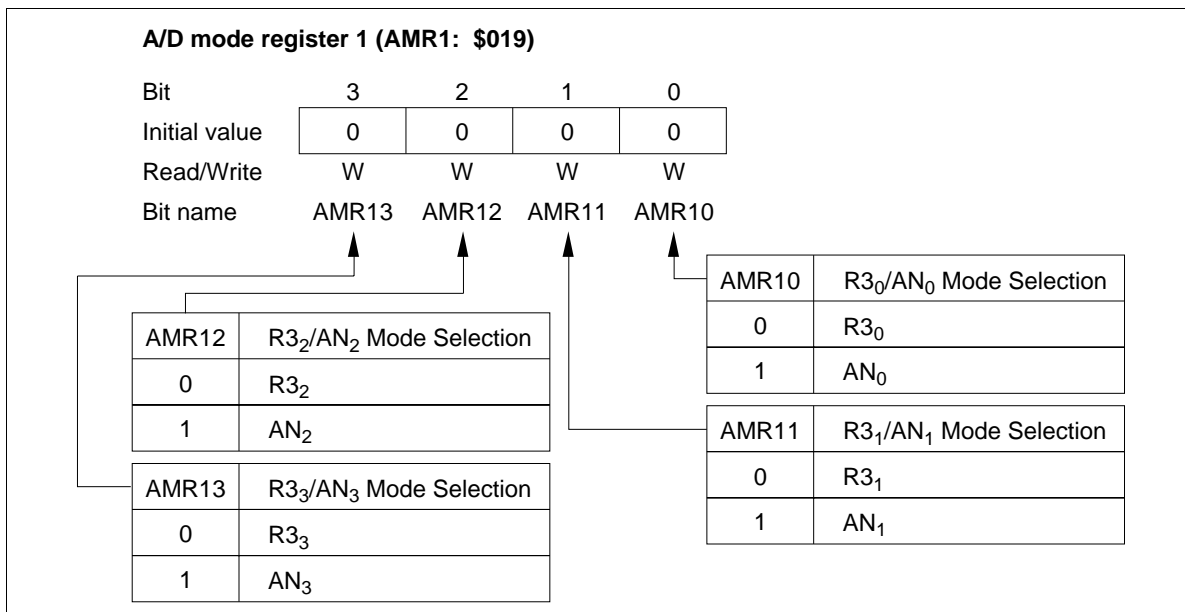
A/D Converter

The MCU also contains a built-in A/D converter that uses a sequential comparison method with a resistance ladder. It can perform digital conversion of twelve analog inputs with 8-bit resolution. The following describes the A/D converter.

- A/D mode register 1 (AMR1: \$019) is used to select digital or analog ports
- A/D mode register 2 (AMR2: \$01A) is used to set the A/D conversion speed and to select digital or analog ports
- The A/D channel register (ACR: \$016) is used to select an analog input channel
- A/D conversion is started by setting the A/D start flag (ADSF: \$020, 2) to 1. After the conversion is completed, converted data is stored in the A/D data register, and at the same time the A/D start flag is cleared to 0.
- By setting the I_{AD} off flag (IAOF: \$021, 2) to 1, the current flowing through the resistance ladder can be cut off even while operating in standby or active mode
- The A/D data register is a read-only register consisting of a lower 4 bits and upper 4 bits (ADRL: \$017, ADRU: \$018). This register is not cleared by a reset. Data reads during A/D conversion are not guaranteed. After A/D conversion ends, the resultant 8-bit data is set in this register and held until the start of the next conversion (figures 51 to 53).

Notes on Usage

- Use the SEM or SEMD instruction for writing to the A/D start flag (ADSF)
- Do not write to the A/D start flag during A/D conversion
- Data in the A/D data register during A/D conversion is undefined
- Since the operation of the A/D converter is based on the clock from the system oscillator, the A/D converter does not operate in stop, watch, or subactive mode. In addition, to save power while in these modes, all current flowing through the converter's resistance ladder is cut off.
- If the power supply for the A/D converter is to be different from V_{CC} , connect a 0.1- μ F bypass capacitor between the AV_{CC} and AV_{SS} pins. (However, this is not necessary when the AV_{CC} pin is directly connected to the V_{CC} pin.)
- The port data register (PDR) is initialized to 1 by an MCU reset. At this time, if pull-up MOS is selected as active by bit 3 of the miscellaneous register (MIS3), the port will be pulled up to V_{CC} . When using a shared R port/analog input pin as an input pin, clear PDR to 0. Otherwise, if pull-up MOS is selected by MIS3 and PDR is set to 1, a pin selected by bit 1 of the A/D mode register as an analog pin will remain pulled up.

**Figure 46 A/D Mode Register 1 (AMR1)**

HD404339 Series

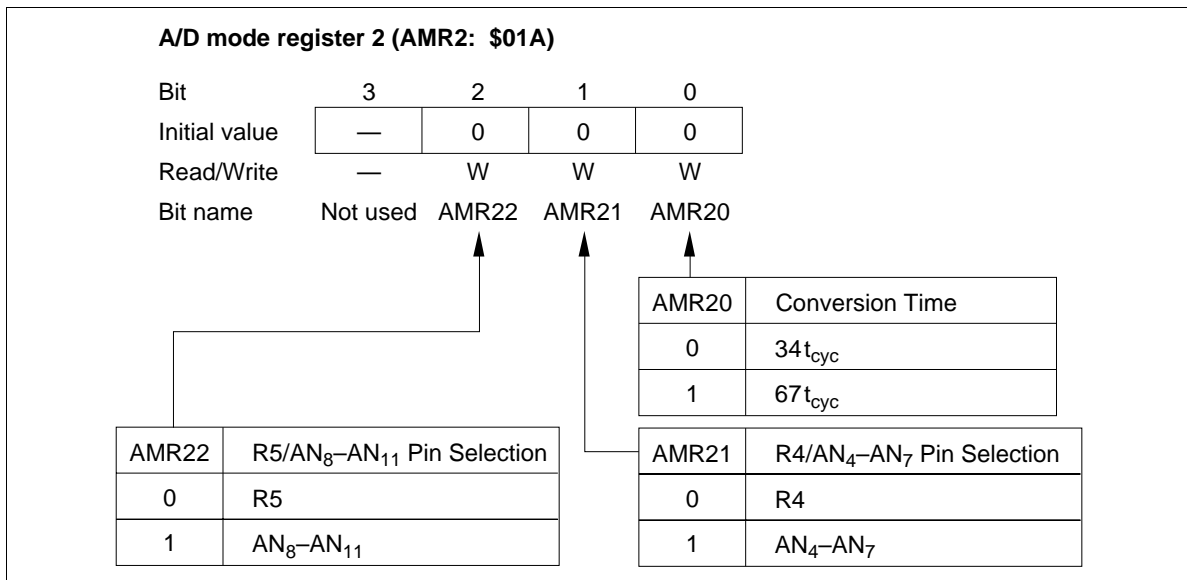
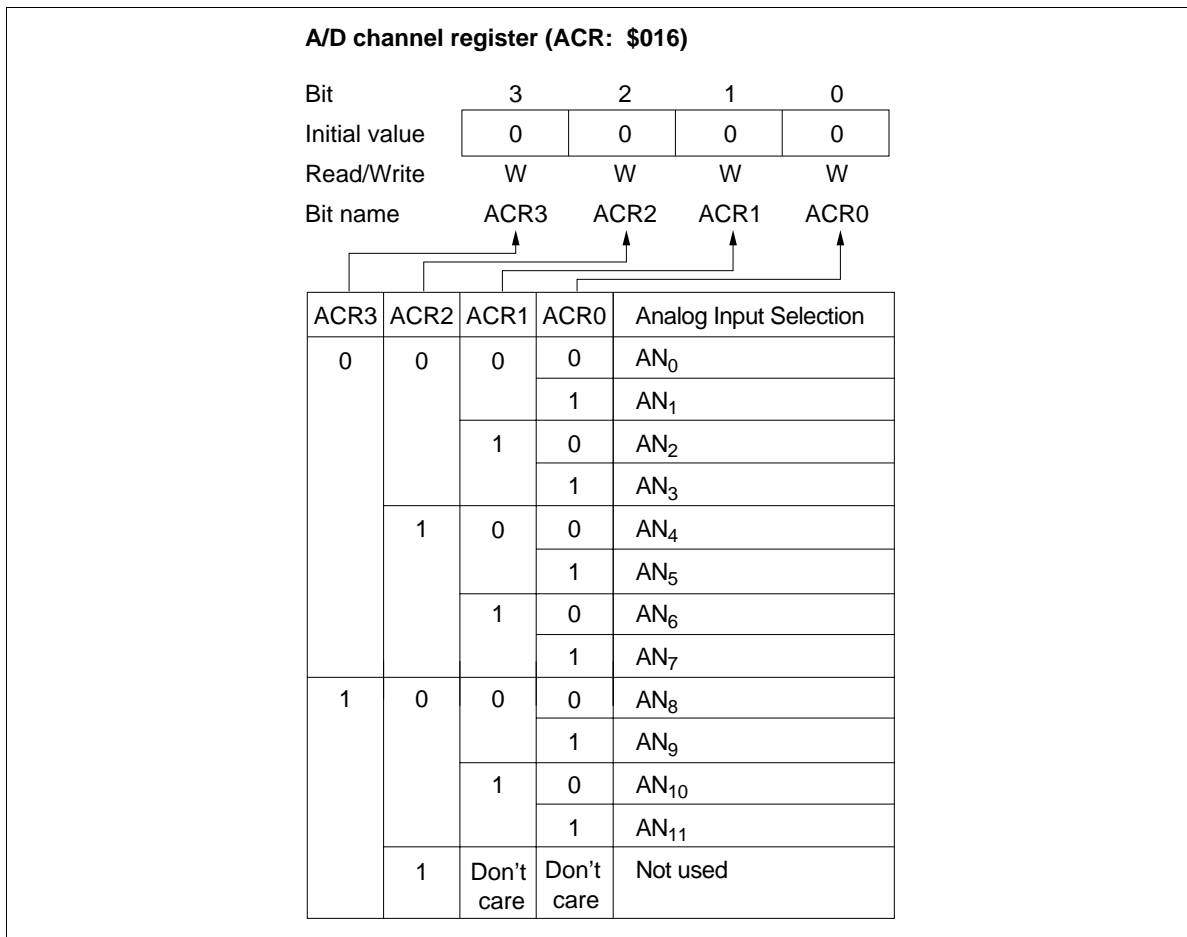


Figure 47 A/D Mode Register 2 (AMR2)

HD404339 Series**Figure 48 A/D Channel Register (ACR)**

HD404339 Series

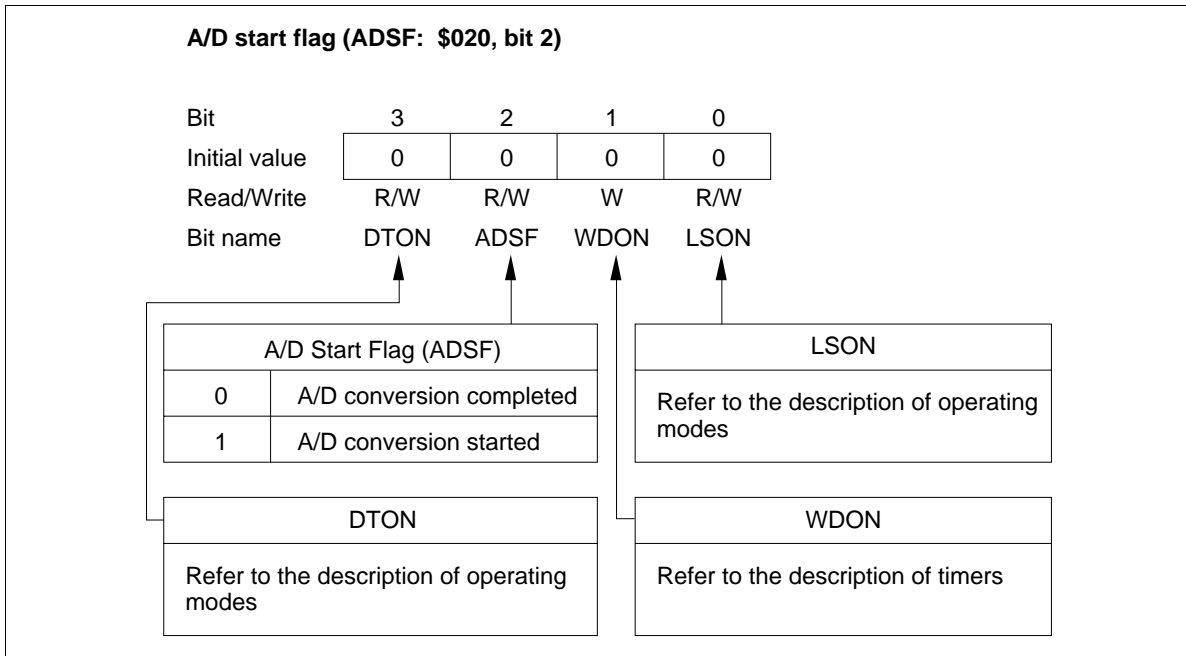


Figure 49 A/D Start Flag (ADSF)

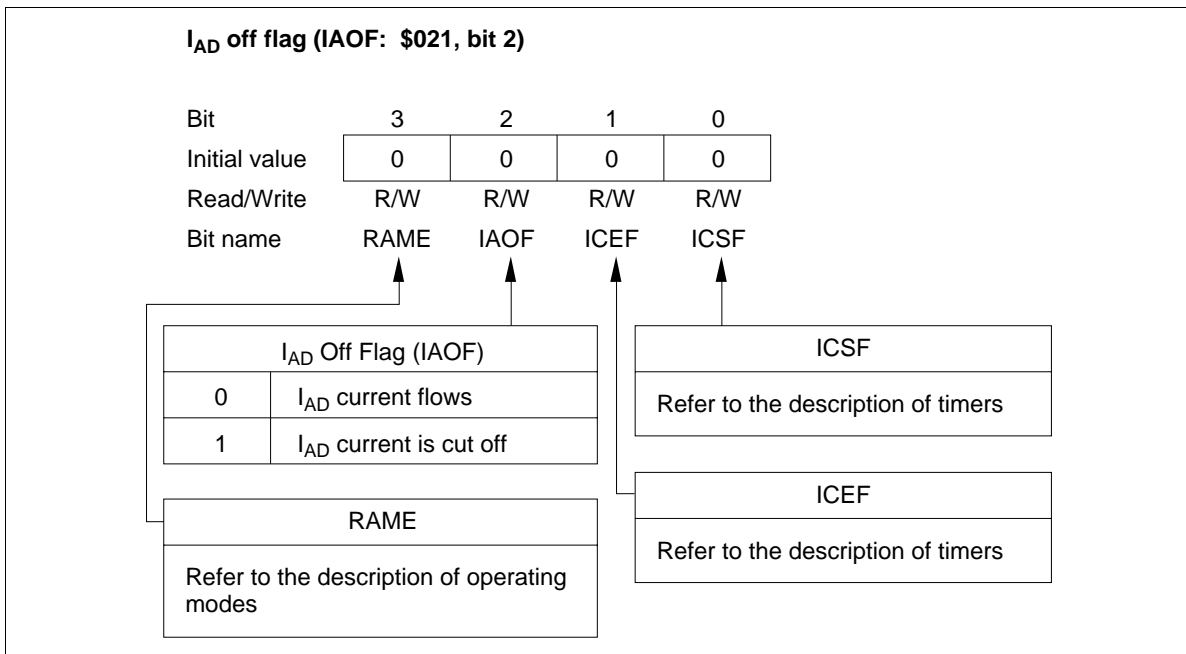


Figure 50 I_{AD} Off Flag (IAOF)

HD404339 Series

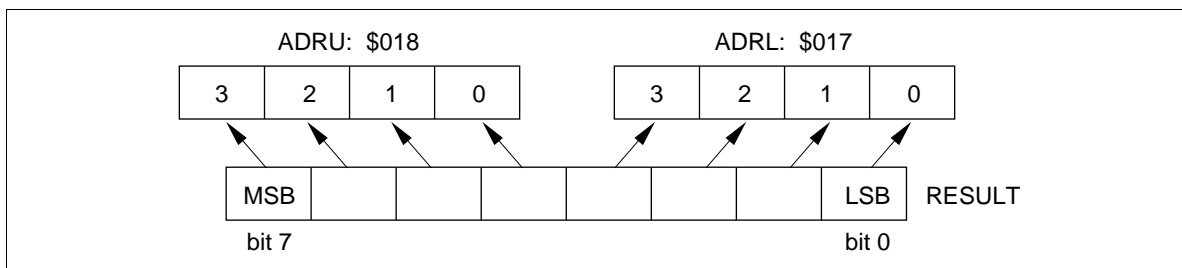


Figure 51 A/D Data Register

A/D data register (lower) (ADRL: \$017)

Bit	3	2	1	0
Read/write	R	R	R	R
Initial value after reset	0	0	0	0
Bit name	ADRL3	ADRL2	ADRL1	ADRL0

Figure 52 A/D Data Register (Lower) (ADRL)

A/D data register (upper) (ADRU: \$018)

Bit	3	2	1	0
Read/write	R	R	R	R
Initial value after reset	1	0	0	0
Bit name	ADRU3	ADRU2	ADRU1	ADRU0

Figure 53 A/D Data Register (Upper) (ADRU)

HD404339 Series

Notes on Mounting

Assemble all parts including the HD404339 Series on a board, noting the points described below.

1. Connect layered ceramic type capacitors (about 0.1 μ F) between AV_{CC} and AV_{SS} , between V_{CC} and GND, and between used analog pins and AV_{SS} .
2. Connect unused analog pins to AV_{SS} .

HD404339 Series

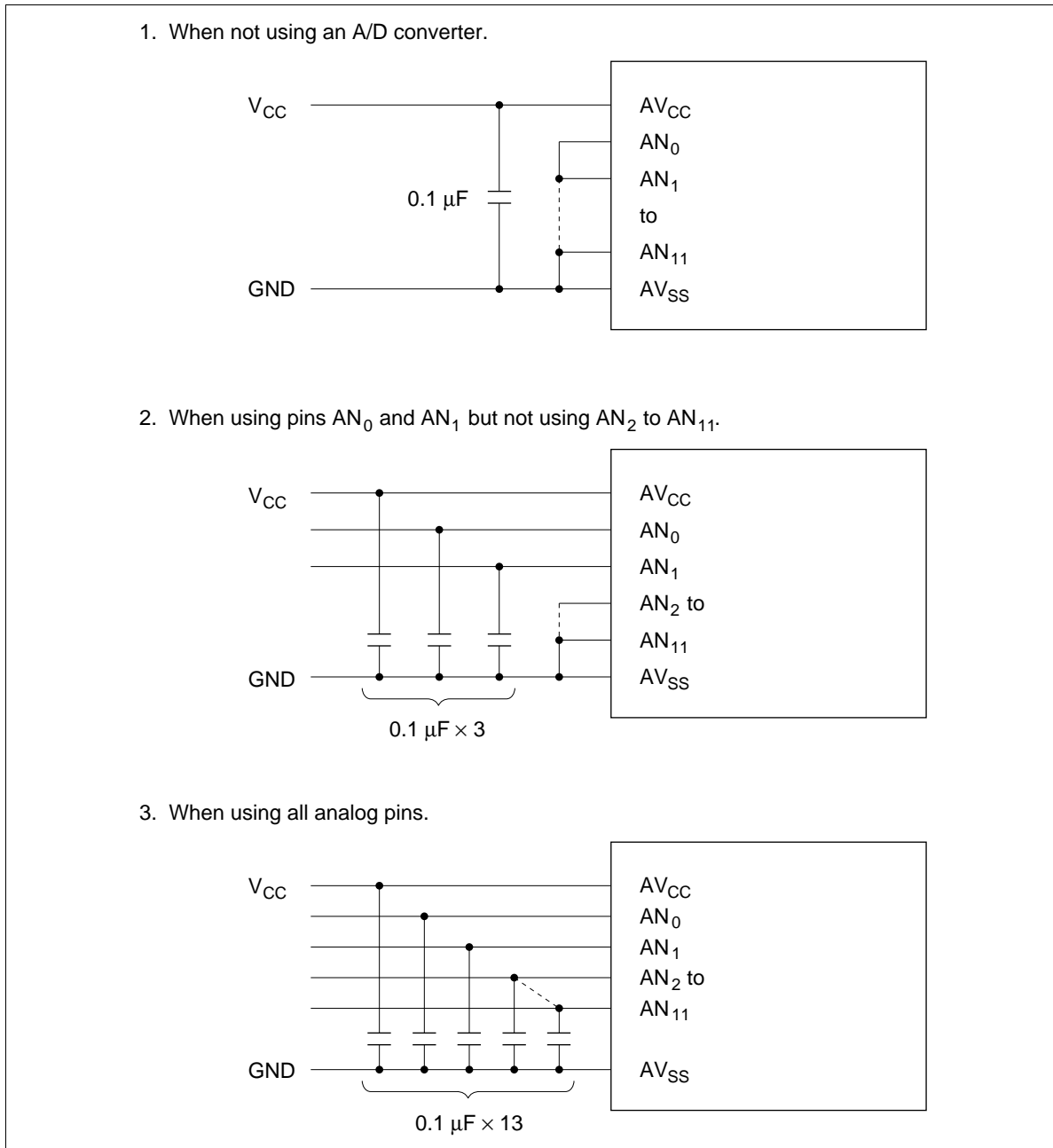


Figure 54 Example of Connections (AV_{CC} to AV_{SS})

Between the V_{CC} and GND lines, connect capacitors designed for use in ordinary power supply circuits. An example connection is described in figure 54.

No resistors can be inserted in series in the power supply circuit, so the capacitors should be connected in parallel. The capacitors are a large capacitance C₁ and a small capacitance C₂.

HD404339 Series

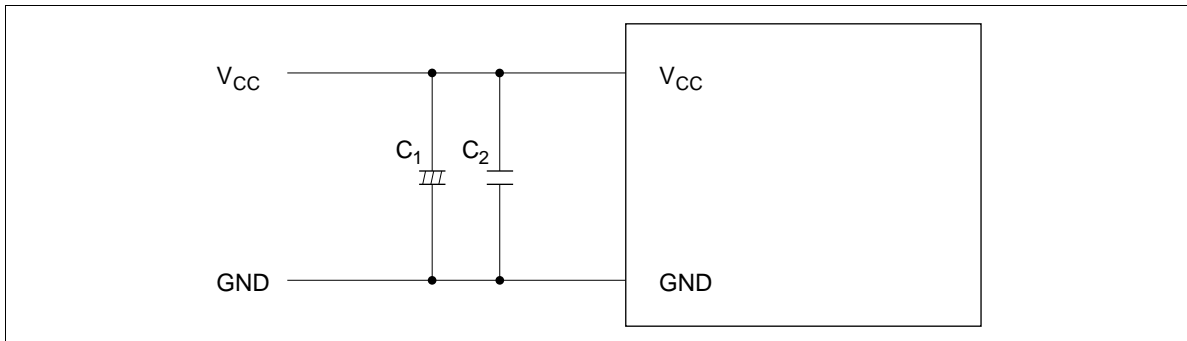


Figure 55 Example of Connections (V_{CC} to GND)

HD404339 Series

Absolute Maximum Ratings

Item	Symbol	Value	Unit	Notes
Supply voltage	V_{CC}	-0.3 to +7.0	V	
Programming voltage	V_{PP}	-0.3 to +14.0	V	1
Pin voltage	V_T	-0.3 to $V_{CC} + 0.3$	V	2
		$V_{CC} - 45$ to $V_{CC} + 0.3$	V	3
Total permissible input current	$\sum I_O$	70	mA	4
Total permissible output current	$-\sum I_O$	150	mA	5
Maximum input current	I_O	4	mA	6, 7
		20	mA	6, 8
Maximum output current	$-I_O$	4	mA	9, 10
		30	mA	10, 11
Operating temperature	T_{opr}	-20 to +75	°C	
Storage temperature	T_{stg}	-55 to +125	°C	

Notes: Permanent damage may occur if these absolute maximum ratings are exceeded. Normal operation must be under the conditions stated in the electrical characteristics tables. If these conditions are exceeded, the LSI may malfunction or its reliability may be affected.

1. Applies to pin TEST (V_{PP}) of HD4074339.
2. Applies to all standard voltage pins.
3. Applies to high-voltage pins.
4. The total permissible input current is the total of input currents simultaneously flowing in from all the I/O pins to GND.
5. The total permissible output current is the total of output currents simultaneously flowing out from V_{CC} to all I/O pins.
6. The maximum input current is the maximum current flowing from each I/O pin to GND.
7. Applies to ports R3, R4, and R5.
8. Applies to ports R0, R6, and R7.
9. Applies to ports R0 and R3 to R7.
10. The maximum output current is the maximum current flowing from V_{CC} to each I/O pin.
11. Applies to ports D_0 – D_{13} , R1, R2, R8, and R9.

HD404339 Series

Electrical Characteristics

DC Characteristics ($V_{CC} = 4.0$ to 5.5 V, $GND = 0$ V, $V_{disp} = V_{CC} - 40$ V to V_{CC} , $T_a = -20$ to $+75^\circ\text{C}$, unless otherwise specified)

Item	Symbol	Pins	Min	Typ	Max	Unit	Test Condition	Notes
Input high voltage	V_{IH}	$\overline{\text{RESET}}, \overline{\text{SCK}}, \text{SI}, \overline{\text{INT}}_0, \overline{\text{INT}}_1, \overline{\text{STOPC}}, \text{EVNB}$	$0.8V_{CC}$	—	$V_{CC} + 0.3$	V		
		OSC_1	$V_{CC} - 0.5$	—	$V_{CC} + 0.3$	V		
Input low voltage	V_{IL}	$\overline{\text{RESET}}, \overline{\text{SCK}}, \text{SI}$	-0.3	—	$0.2V_{CC}$	V		
		$\overline{\text{INT}}_0, \overline{\text{INT}}_1, \overline{\text{STOPC}}, \text{EVNB}$	$V_{CC} - 40$	—	$0.2V_{CC}$	V		
		OSC_1	-0.3	—	0.5	V		
Output high voltage	V_{OH}	$\overline{\text{SCK}}, \text{SO}, \text{TOC}$	$V_{CC} - 0.5$	—	—	V	$-I_{OH} = 0.5$ mA	
Output low voltage	V_{OL}	$\overline{\text{SCK}}, \text{SO}, \text{TOC}$	—	—	0.4	V	$I_{OL} = 0.4$ mA	
I/O leakage current	$ I_{IL} $	$\overline{\text{RESET}}, \overline{\text{SCK}}, \text{SI}, \text{SO}, \text{TOC}, \text{OSC}_1$	—	—	1	μA	$V_{in} = 0$ V to V_{CC}	1
		$\overline{\text{INT}}_0, \overline{\text{INT}}_1, \overline{\text{STOPC}}, \text{EVNB}$	—	—	20	μA	$V_{in} = V_{CC} - 40$ to V_{CC}	1
Current dissipation in active mode	I_{CC}	V_{CC}	—	—	5.0	mA	$V_{CC} = 5$ V, $f_{osc} = 4$ MHz	2, 5
			—	—	8.0	mA		2, 6
Current dissipation in standby mode	I_{SBY}	V_{CC}	—	—	2.0	mA	$V_{CC} = 5$ V, $f_{osc} = 4$ MHz	3
Current dissipation in subactive mode	I_{SUB}	V_{CC}	—	—	100	μA	$V_{CC} = 5$ V, 32 kHz oscillator	4, 5
			—	—	320	μA		4, 6
Current dissipation in watch mode	I_{WTC}	V_{CC}	—	—	20	μA	$V_{CC} = 5$ V, 32 kHz oscillator	4
Current dissipation in stop mode	I_{STOP}	V_{CC}	—	—	10	μA	X1 = GND, X2 = Open	4, 5
			—	—	20	μA		4, 6
Stop mode retaining voltage	V_{STOP}	V_{CC}	2	—	—	V		

HD404339 Series

- Notes:
1. Excludes current flowing through pull-up MOS and output buffers.
 2. I_{CC} is the source current when no I/O current is flowing while the MCU is in reset state.
 Test conditions: MCU: Reset
 Pins: \overline{RESET} , TEST at GND
 R0, R3₀ to R7₂ at V_{CC}
 D₀-D₁₃, R1, R2, R8, R9, RA₁ at V_{disp}
 3. I_{SBY} is the source current when no I/O current is flowing while the MCU timer is operating.
 Test conditions: MCU: I/O reset
 Standby mode
 Pins: \overline{RESET} at V_{CC}
 TEST at GND
 R0, R3₀ to R7₂ at V_{CC}
 D₀-D₁₃, R1, R2, R8, R9, RA₁ at V_{disp}
 4. This is the source current when no I/O current is flowing.
 Test conditions: Pins: R0, R3₀ to R7₂ at V_{CC}
 D₀-D₁₃, R1, R2, R8, R9, RA₁ at GND
 5. Applies to the HD404334, HD404336, HD404338, HD4043312, and HD404339.
 6. Applies to the HD4074339.

HD404339 Series

I/O Characteristics for High-Voltage Pins ($V_{CC} = 4.0$ to 5.5 V, $GND = 0$ V, $V_{disp} = V_{CC} - 40$ V to V_{CC} , $T_a = -20$ to $+75^\circ\text{C}$, unless otherwise specified)

Item	Symbol	Pins	Min	Typ	Max	Unit	Test Condition	Note
Input high voltage	V_{IH}	D_0 – D_{13} , R1, R2, R8, R9, RA_1	$0.7V_{CC}$	—	$V_{CC} + 0.3$	V		
Input low voltage	V_{IL}	D_0 – D_{13} , R1, R2, R8, R9, RA_1	$V_{CC} - 40$	—	$0.3V_{CC}$	V		
Output high voltage	V_{OH}	D_0 – D_{13} , R1, R2, R8, R9, BUZZ	$V_{CC} - 3.0$	—	—	V	$-I_{OH} = 15$ mA	
			$V_{CC} - 2.0$	—	—	V	$-I_{OH} = 10$ mA	
			$V_{CC} - 1.0$	—	—	V	$-I_{OH} = 4$ mA	
Output low voltage	V_{OL}	D_0 – D_{13} , R1, R2, R8, R9, BUZZ	—	—	$V_{CC} - 37$	V	$V_{disp} = V_{CC} - 40$ V	1
			—	—	$V_{CC} - 37$	V	150 k Ω at $V_{CC} - 40$ V	2
I/O leakage current	$ I_{IL} $	D_0 – D_{13} , R1, R2, R8, R9, RA_1 , BUZZ	—	—	20	μA	$V_{in} = V_{CC} - 40$ V to V_{CC}	3
Pull-down MOS current	I_{PD}	D_0 – D_{13} , R1, R2, R8, R9	200	600	1000	μA	$V_{disp} = V_{CC} - 35$ V, $V_{in} = V_{CC}$	1

Notes: 1. Applies to pins with pull-down MOS as selected by the mask option .
 2. Applies to pins without pull-down MOS as selected by the mask option.
 3. Excludes output buffer current.

HD404339 Series

A/D Converter Characteristics ($V_{CC} = 4.0$ to 5.5 V, $GND = 0$ V, $V_{disp} = V_{CC} - 40$ V to V_{CC} , $T_a = -20$ to $+75^\circ\text{C}$, unless otherwise specified)

Item	Symbol	Pins	Min	Typ	Max	Unit	Test Condition	Note
Analog supply voltage	AV_{CC}	AV_{CC}	$V_{CC} - 0.3$	V_{CC}	$V_{CC} + 0.3$	V		1
Analog input voltage	AV_{in}	AN_0 – AN_{11}	AV_{SS}	—	AV_{CC}	V		
Current flowing between AV_{CC} and AV_{SS}	I_{AD}		—	—	200	μA	$V_{CC} = AV_{CC} = 5.0$ V	
Analog input capacitance	CA_{in}	AN_0 – AN_{11}	—	—	30	pF		
Resolution			8	8	8	Bit		
Number of input channels			0	—	12	Channel		
Absolute accuracy			—	—	± 2.0	LSB		
Conversion time			34	—	67	t_{cyc}		
Input impedance		AN_0 – AN_{11}	1	—	—	$M\Omega$		

Note: 1. Connect this to V_{CC} if the A/D converter is not used.

HD404339 Series

AC Characteristics ($V_{CC} = 4.0$ to 5.5 V, $GND = 0$ V, $V_{disp} = V_{CC} - 40$ V to V_{CC} , $T_a = -20$ to $+75^\circ\text{C}$)

Item	Symbol	Pins	Min	Typ	Max	Unit	Test Condition	Note
Clock oscillation frequency	f_{OSC}	OSC ₁ , OSC ₂	0.4	4	4.5	MHz	System clock divided by 4	1
		X1, X2	—	32.768	—	kHz		
Instruction cycle time	t_{cyc}		0.89	1	10	μs		1
			—	244.14	—	μs	32-kHz oscillator, 1/8 system clock division ratio	
			—	122.07	—	μs	32-kHz oscillator, 1/4 system clock division ratio	
Oscillation stabilization time (ceramic oscillator)	t_{RC}	OSC ₁ , OSC ₂	—	—	7.5	ms		2
Oscillation stabilization time (crystal oscillator)	t_{RC}	OSC ₁ , OSC ₂	—	—	40	ms		2
		X1, X2	—	—	2	s		2
External clock high width	t_{CPH}	OSC ₁	92	—	—	ns		3
External clock low width	t_{CPL}	OSC ₁	92	—	—	ns		3
External clock rise time	t_{CPr}	OSC ₁	—	—	20	ns		3
External clock fall time	t_{CPf}	OSC ₁	—	—	20	ns		3
$\overline{INT_0}$, $\overline{INT_1}$, EVNB high widths	t_{IH}	$\overline{INT_0}$, $\overline{INT_1}$, EVNB	2	—	—	$t_{cyc}/$ t_{subcyc}		4
$\overline{INT_0}$, $\overline{INT_1}$, EVNB low widths	t_{IL}	$\overline{INT_0}$, $\overline{INT_1}$, EVNB	2	—	—	$t_{cyc}/$ t_{subcyc}		4
\overline{RESET} low width	t_{RSTL}	\overline{RESET}	2	—	—	t_{cyc}		5
\overline{STOPC} low width	t_{STPL}	\overline{STOPC}	1	—	—	t_{RC}		6
\overline{RESET} rise time	t_{RSTr}	\overline{RESET}	—	—	20	ms		5
\overline{STOPC} rise time	t_{STPr}	\overline{STOPC}	—	—	20	ms		6
Input capacitance	C_{in}	All input pins except TEST	—	—	30	pF	$f = 1$ MHz, $V_{in} = 0$ V	
		TEST	—	—	30	pF	$f = 1$ MHz, $V_{in} = 0$ V	7
			—	—	180	pF		8

- Notes: 1. When using the subsystem oscillator (32.768 kHz), one of the following relationships for f_{OSC} must be applied.
 $0.4 \text{ MHz} \leq f_{OSC} \leq 1.0 \text{ MHz}$ or $1.6 \text{ MHz} \leq f_{OSC} \leq 4.5 \text{ MHz}$
The operating range for f_{OSC} can be set with bit 1 of system selection register 1 (SSR1: \$027).
2. The oscillation stabilization time is the period required for the oscillator to stabilize in the following situations:

HITACHI

HD404339 Series

- a. After V_{CC} reaches 4.0 V at power-on.
- b. After $\overline{\text{RESET}}$ input goes low when stop mode is cancelled.
- c. After $\overline{\text{STOPC}}$ input goes low when stop mode is cancelled.

To ensure the oscillation stabilization time at power-on or when stop mode is cancelled, $\overline{\text{RESET}}$ or $\overline{\text{STOPC}}$ must be input for at least a duration of t_{RC} .

When using a crystal or ceramic oscillator, consult with the manufacturer to determine what stabilization time is required, since it will depend on the circuit constants and stray capacitance.

3. Refer to figure 56.
4. Refer to figure 57.
5. Refer to figure 58.
6. Refer to figure 59.
7. Applies to the HD404334, HD404336, HD404338, HD4043312, and HD404339.
8. Applies to the HD4074339.

Serial Interface Timing Characteristics ($V_{CC} = 4.0$ to 5.5 V, $GND = 0$ V, $V_{disp} = V_{CC} - 40$ V to V_{CC} , $T_a = -20$ to $+75^\circ\text{C}$, unless otherwise specified)

During Transmit Clock Output

Item	Symbol	Pins	Min	Typ	Max	Unit	Test Condition	Note
Transmit clock cycle time	$t_{S_{cyc}}$	$\overline{\text{SCK}}$	1	—	—	t_{cyc}	Load shown in figure 61	1
Transmit clock high width	$t_{S_{CKH}}$	$\overline{\text{SCK}}$	0.4	—	—	$t_{S_{cyc}}$	Load shown in figure 61	1
Transmit clock low width	$t_{S_{CKL}}$	$\overline{\text{SCK}}$	0.4	—	—	$t_{S_{cyc}}$	Load shown in figure 61	1
Transmit clock rise time	$t_{S_{CKr}}$	$\overline{\text{SCK}}$	—	—	80	ns	Load shown in figure 61	1
Transmit clock fall time	$t_{S_{CKf}}$	$\overline{\text{SCK}}$	—	—	80	ns	Load shown in figure 61	1
Serial output data delay time	t_{DSO}	SO	—	—	300	ns	Load shown in figure 61	1
Serial input data setup time	t_{SSI}	SI	100	—	—	ns		1
Serial input data hold time	t_{HSI}	SI	200	—	—	ns		1

During Transmit Clock Input

Item	Symbol	Pins	Min	Typ	Max	Unit	Test Condition	Note
Transmit clock cycle time	$t_{S_{cyc}}$	$\overline{\text{SCK}}$	1	—	—	t_{cyc}		1
Transmit clock high width	$t_{S_{CKH}}$	$\overline{\text{SCK}}$	0.4	—	—	$t_{S_{cyc}}$		1
Transmit clock low width	$t_{S_{CKL}}$	$\overline{\text{SCK}}$	0.4	—	—	$t_{S_{cyc}}$		1
Transmit clock rise time	$t_{S_{CKr}}$	$\overline{\text{SCK}}$	—	—	80	ns		1
Transmit clock fall time	$t_{S_{CKf}}$	$\overline{\text{SCK}}$	—	—	80	ns		1
Serial output data delay time	t_{DSO}	SO	—	—	300	ns	Load shown in figure 61	1
Serial input data setup time	t_{SSI}	SI	100	—	—	ns		1
Serial input data hold time	t_{HSI}	SI	200	—	—	ns		1

Note: 1. Refer to figure 60.

HD404339 Series

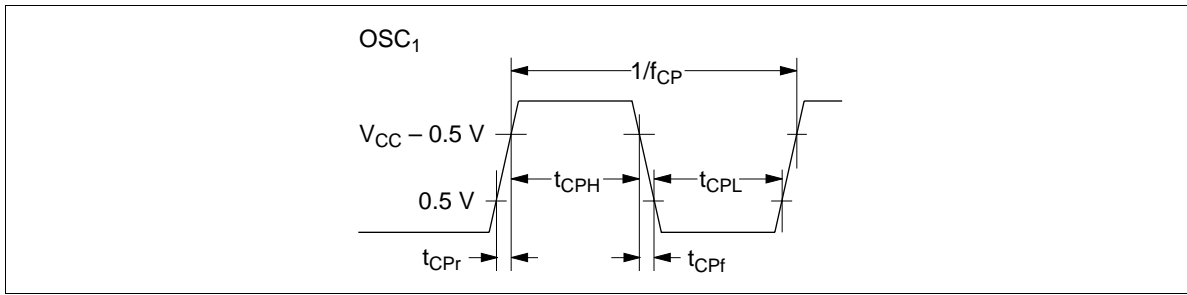


Figure 56 External Clock Timing

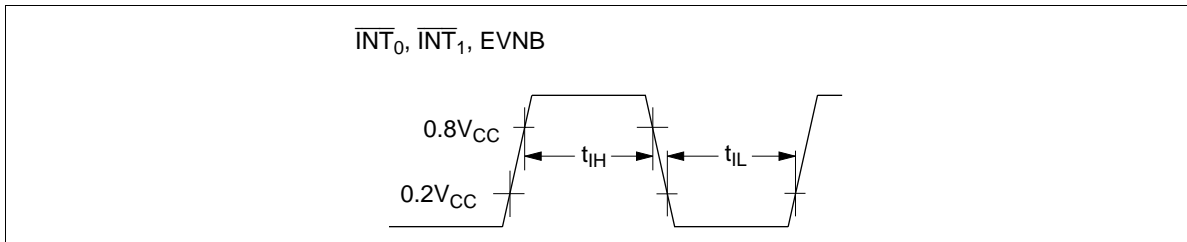


Figure 57 Interrupt Timing

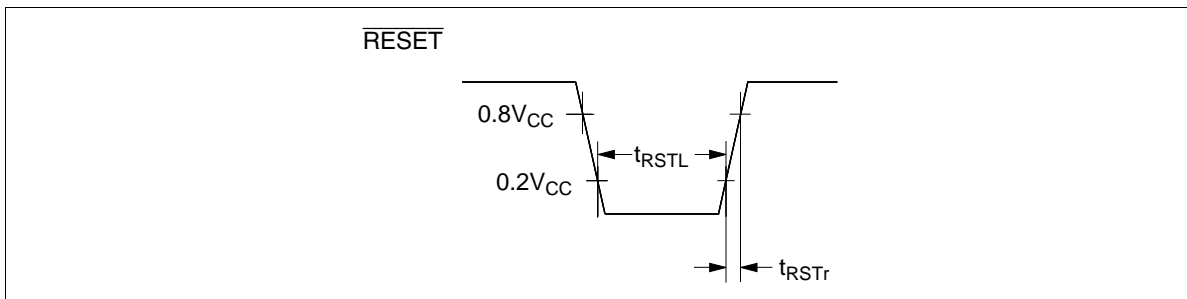


Figure 58 \overline{RESET} Timing

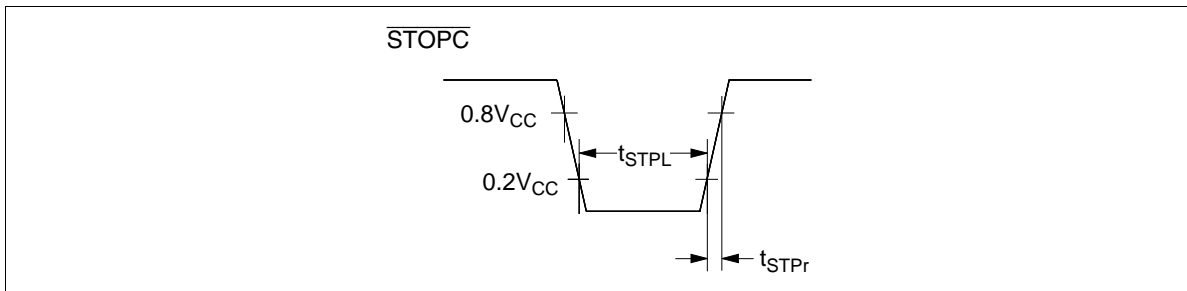


Figure 59 \overline{STOPC} Timing

HD404339 Series

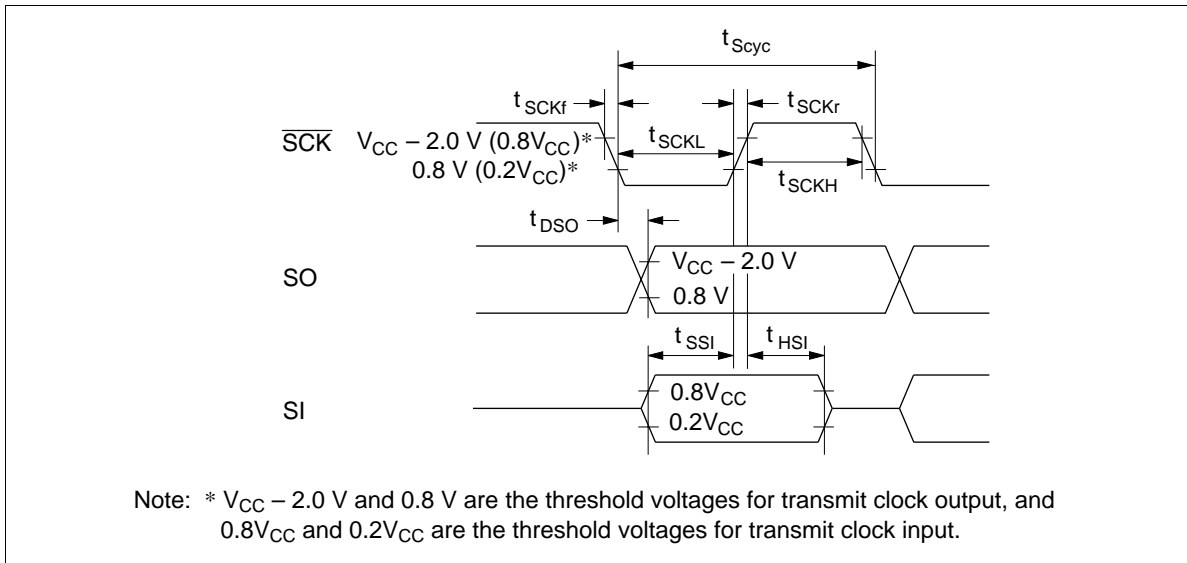


Figure 60 Serial Interface Timing

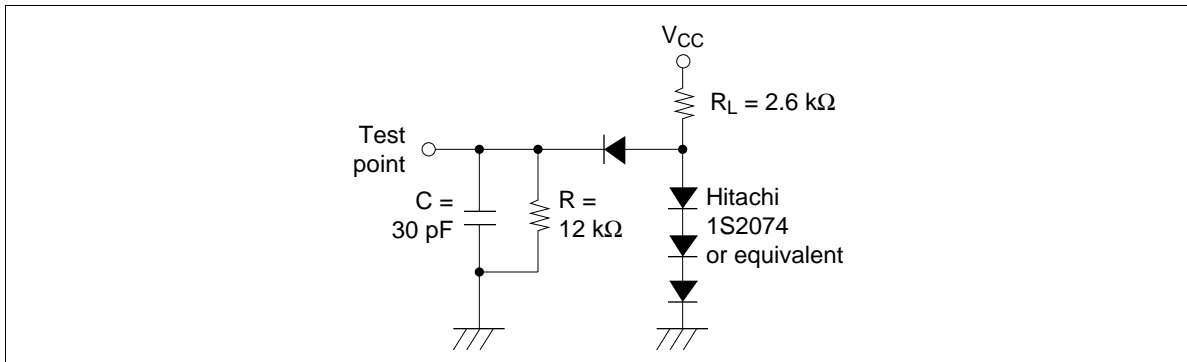


Figure 61 Timing Load Circuit

HD404339 Series

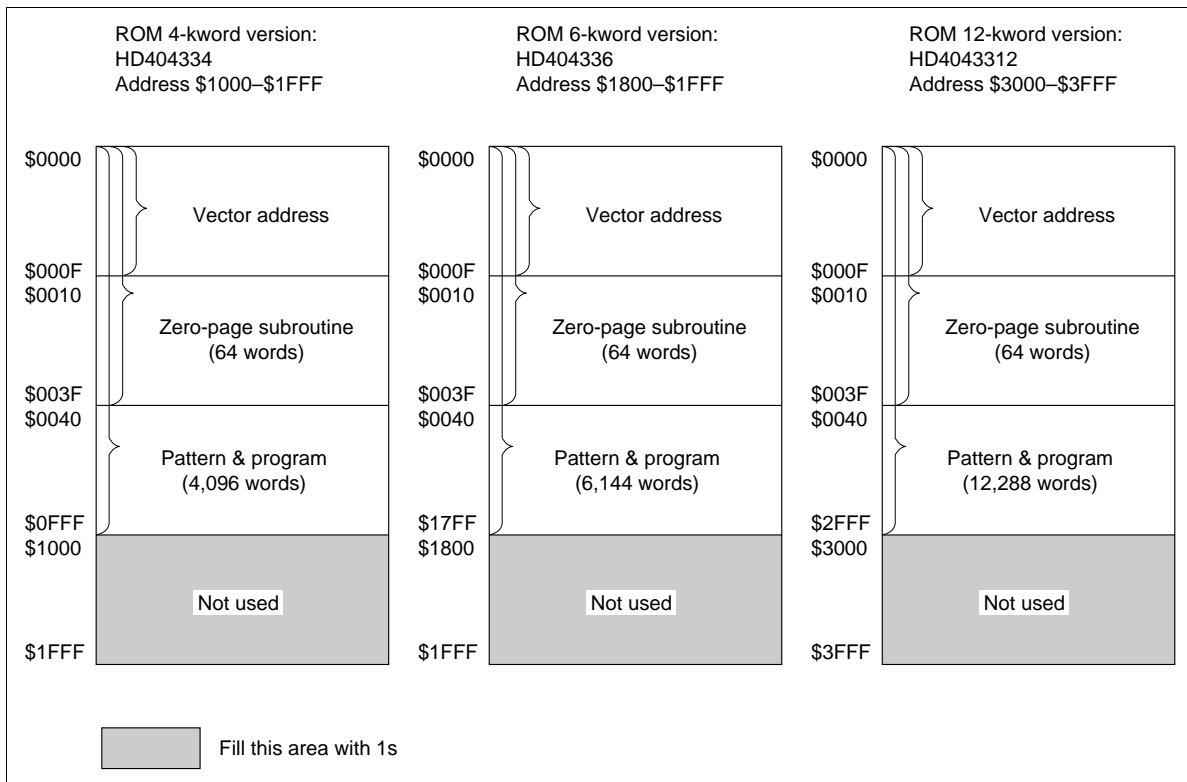
Notes on ROM Out

Please pay attention to the following items regarding ROM out.

On ROM out, fill the ROM area indicated below with 1s to create the same data size for the HD404334 and HD404336 as an 8-kword version (HD404338), and to create the same data size for the HD4043312 as a 16-kword version (HD404339).

The 8-kword and 16-kword data sizes are required to change ROM data to mask manufacturing data since the program used is for an 8-k or 16-kword version.

This limitation applies when using an EPROM or a data base.



HD404339 Series

HD404334/HD404336/HD404338/HD4043312/HD404339 Option List

Please check off the appropriate applications and enter the necessary information.

1. ROM Size

<input type="checkbox"/> HD404334	4-kword
<input type="checkbox"/> HD404336	6-kword
<input type="checkbox"/> HD404338	8-kword
<input type="checkbox"/> HD4043312	12-kword
<input type="checkbox"/> HD404339	16-kword

Date of order	
Customer	
Department	
Name	
ROM code name	
LSI number	

2. Optional Functions

* <input type="checkbox"/> With 32-kHz CPU operation, with time base for clock
* <input type="checkbox"/> Without 32-kHz CPU operation, with time base for clock
<input type="checkbox"/> Without 32-kHz CPU operation, without time base

Note: *Options marked with an asterisk require a subsystem crystal oscillator (X1, X2).

3. I/O Options

D: Without pull-down resistance E: With pull-down resistance

Pin name	I/O	I/O option	
		D	E
D0/INT ₀	I/O		
D1/INT ₁	I/O		
D2/EVNB	I/O		
D3/BUZZ	I/O		
D4/STOPC	I/O		
D5	I/O		
D6	I/O		
D7	I/O		
D8	I/O		
D9	I/O		
D10	I/O		
D11	I/O		
D12	I/O		
D13	I/O		

Pin name	I/O	I/O option	
		D	E
R1	R10	I/O	
	R11	I/O	
	R12	I/O	
	R13	I/O	
R2	R20	I/O	
	R21	I/O	
	R22	I/O	
	R23	I/O	
R8	R80	I/O	
	R81	I/O	
	R82	I/O	
	R83	I/O	
R9	R90	I/O	
	R91	I/O	
	R92	I/O	
	R93	I/O	

4. RA1/Vdisp

<input type="checkbox"/> RA1 without pull-down resistance
<input type="checkbox"/> Vdisp

Note: If even only one pin is selected with I/O option E, pin RA1/Vdisp must be selected to function as Vdisp.

5. ROM Code Media

Please specify the first type below (the upper bits and lower bits are mixed together), when using the EPROM on-package microcomputer type (including ZTAT™ version).

<input type="checkbox"/> EPROM: The upper bits and lower bits are mixed together. The upper five bits and lower five bits are programmed to the same EPROM in alternating order (i.e., LULULU...).
<input type="checkbox"/> EPROM: The upper bits and lower bits are separated. The upper five bits and lower five bits are programmed to different EPROMS.

6. System Oscillator (OSC1, OSC2)

<input type="checkbox"/> Ceramic oscillator	f =	MHz
<input type="checkbox"/> Crystal oscillator	f =	MHz
<input type="checkbox"/> External clock	f =	MHz

7. Stop Mode

<input type="checkbox"/> Used
<input type="checkbox"/> Not used

8. Package

<input type="checkbox"/> FP-64B
<input type="checkbox"/> DP-64S

HITACHI

HD404339 Series

Cautions

1. Hitachi neither warrants nor grants licenses of any rights of Hitachi's or any third party's patent, copyright, trademark, or other intellectual property rights for information contained in this document. Hitachi bears no responsibility for problems that may arise with third party's rights, including intellectual property rights, in connection with use of the information contained in this document.
2. Products and product specifications may be subject to change without notice. Confirm that you have received the latest product standards or specifications before final design, purchase or use.
3. Hitachi makes every attempt to ensure that its products are of high quality and reliability. However, contact Hitachi's sales office before using the product in an application that demands especially high quality and reliability or where its failure or malfunction may directly threaten human life or cause risk of bodily injury, such as aerospace, aeronautics, nuclear power, combustion control, transportation, traffic, safety equipment or medical equipment for life support.
4. Design your application so that the product is used within the ranges guaranteed by Hitachi particularly for maximum rating, operating supply voltage range, heat radiation characteristics, installation conditions and other characteristics. Hitachi bears no responsibility for failure or damage when used beyond the guaranteed ranges. Even within the guaranteed ranges, consider normally foreseeable failure rates or failure modes in semiconductor devices and employ systemic measures such as fail-safes, so that the equipment incorporating Hitachi product does not cause bodily injury, fire or other consequential damage due to operation of the Hitachi product.
5. This product is not designed to be radiation resistant.
6. No one is permitted to reproduce or duplicate, in any form, the whole or part of this document without written approval from Hitachi.
7. Contact Hitachi's sales office for any questions regarding this document or Hitachi semiconductor products.

HITACHI

Hitachi, Ltd.

Semiconductor & Integrated Circuits.
Nippon Bldg., 2-6-2, Ohte-machi, Chiyoda-ku, Tokyo 100-0004, Japan
Tel: Tokyo (03) 3270-2111 Fax: (03) 3270-5109

URL NorthAmerica : <http://semiconductor.hitachi.com/>
 Europe : <http://www.hitachi-eu.com/hel/ecg>
 Asia (Singapore) : <http://www.has.hitachi.com.sg/grp3/sicd/index.htm>
 Asia (Taiwan) : http://www.hitachi.com.tw/E/Product/SICD_Frame.htm
 Asia (HongKong) : <http://www.hitachi.com.hk/eng/bo/grp3/index.htm>
 Japan : <http://www.hitachi.co.jp/Sicd/indx.htm>

For further information write to:

Hitachi Semiconductor
(America) Inc.
179 East Tasman Drive,
San Jose, CA 95134
Tel: <1> (408) 433-1990
Fax: <1>(408) 433-0223

Hitachi Europe GmbH
Electronic components Group
Dornacher Straße 3
D-85622 Feldkirchen, Munich
Germany
Tel: <49> (89) 9 9180-0
Fax: <49> (89) 9 29 30 00

Hitachi Europe Ltd.
Electronic Components Group.
Whitebrook Park
Lower Cookham Road
Maidenhead
Berkshire SL6 8YA, United Kingdom
Tel: <44> (1628) 585000
Fax: <44> (1628) 778322

Hitachi Asia Pte. Ltd.
16 Collyer Quay #20-00
Hitachi Tower
Singapore 049318
Tel: 535-2100
Fax: 535-1533

Hitachi Asia Ltd.
Taipei Branch Office
3F, Hung Kuo Building, No.167,
Tun-Hwa North Road, Taipei (105)
Tel: <886> (2) 2718-3666
Fax: <886> (2) 2718-8180

Hitachi Asia (Hong Kong) Ltd.
Group III (Electronic Components)
7/F., North Tower, World Finance Centre,
Harbour City, Canton Road, Tsim Sha Tsui,
Kowloon, Hong Kong
Tel: <852> (2) 735 9218
Fax: <852> (2) 730 0281
Telex: 40815 HITEC HX

Copyright © Hitachi, Ltd., 1998. All rights reserved. Printed in Japan.

HITACHI