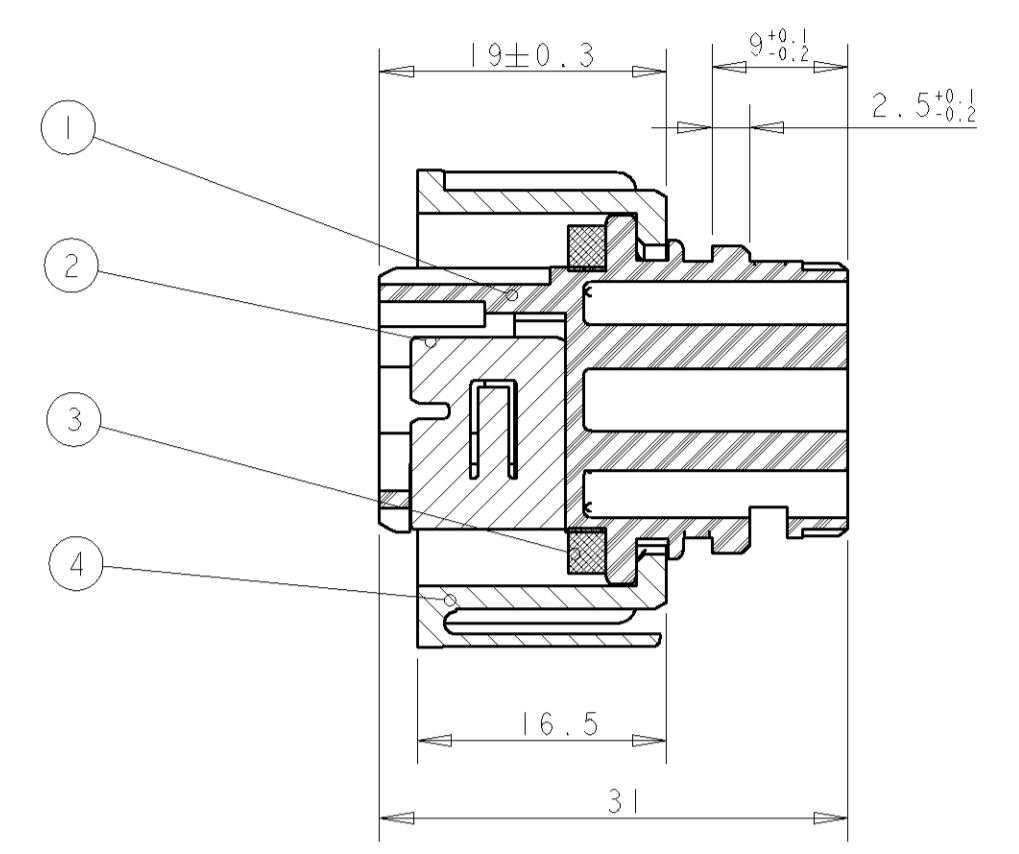
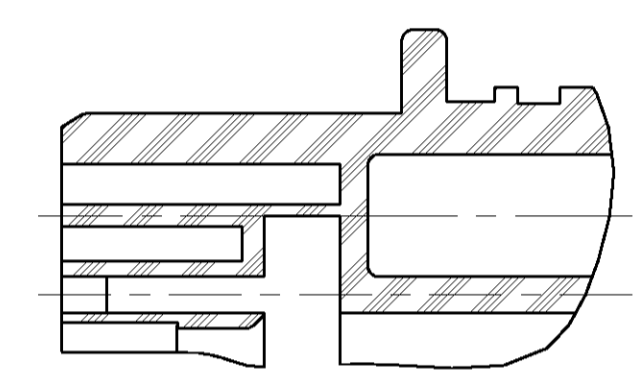
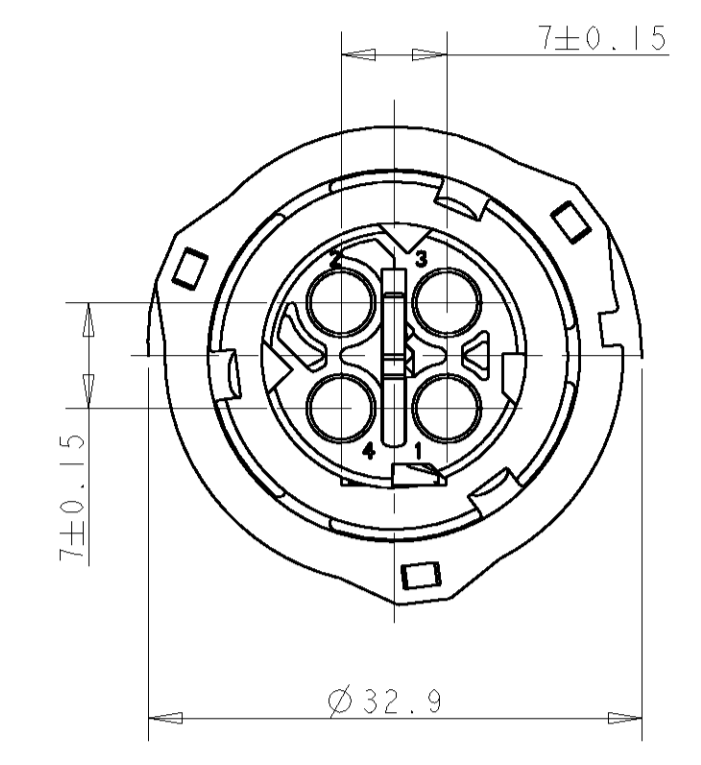


COUPLING RING IN PRE-LOCKED POSITION
 (FITTING POSITION WITH PIN HOUSING)



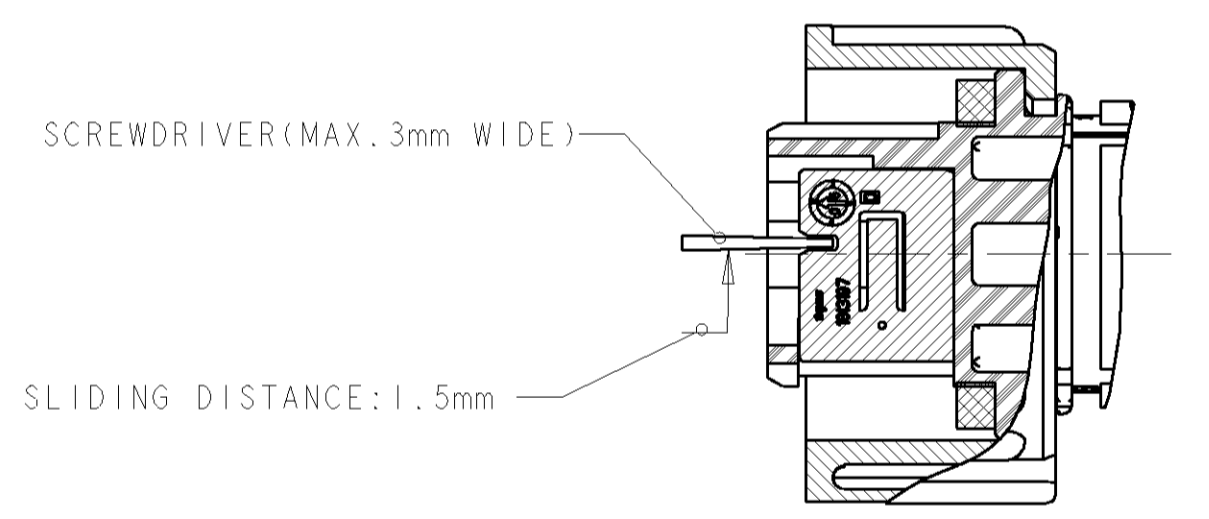
SECTION A-A

SECOND LOCKING DEVICE
 IN PRE-LOCKED POSITION

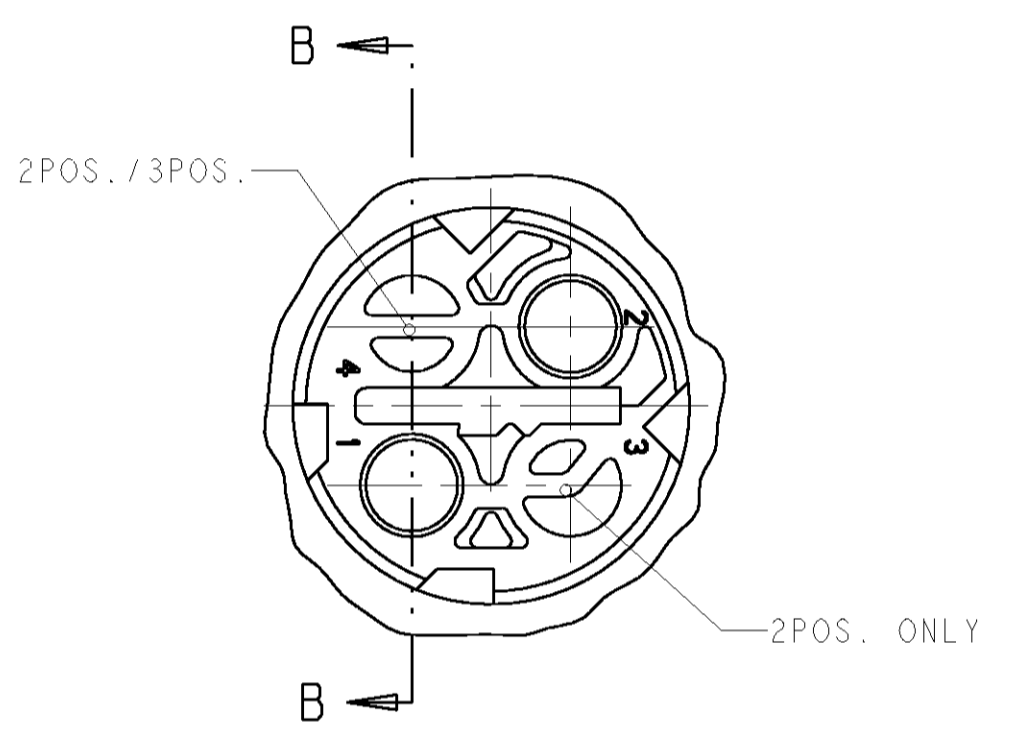


SECTION B-B

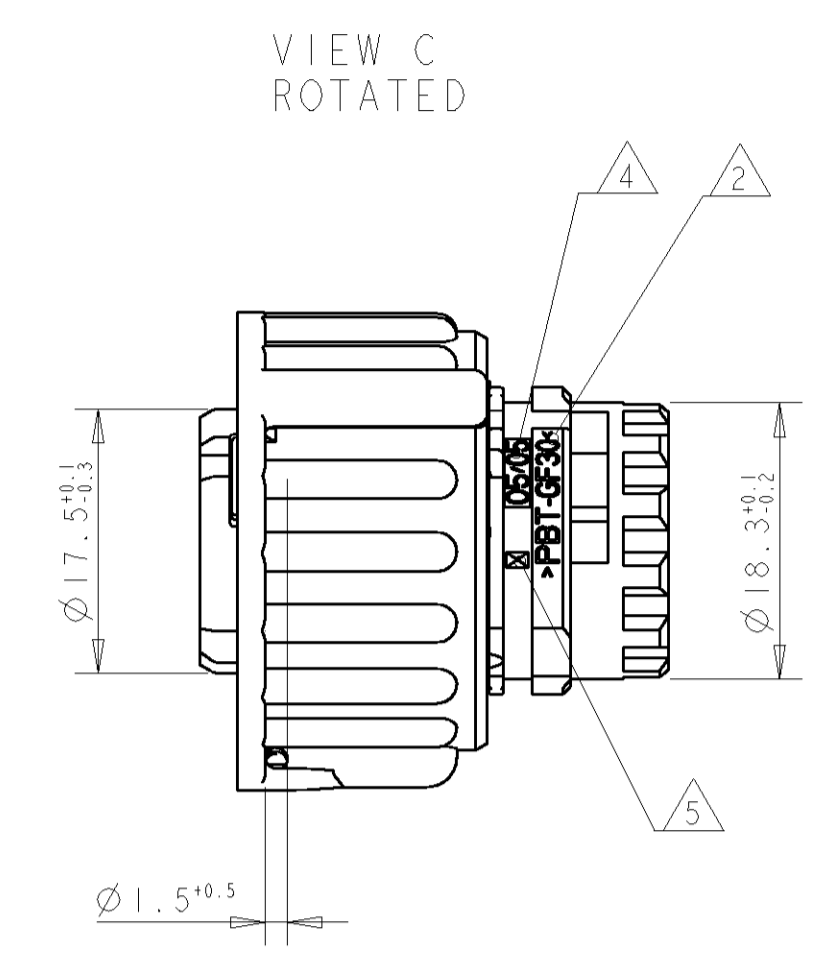
SECOND LOCKING DEVICE
 IN LOCKED POSITION



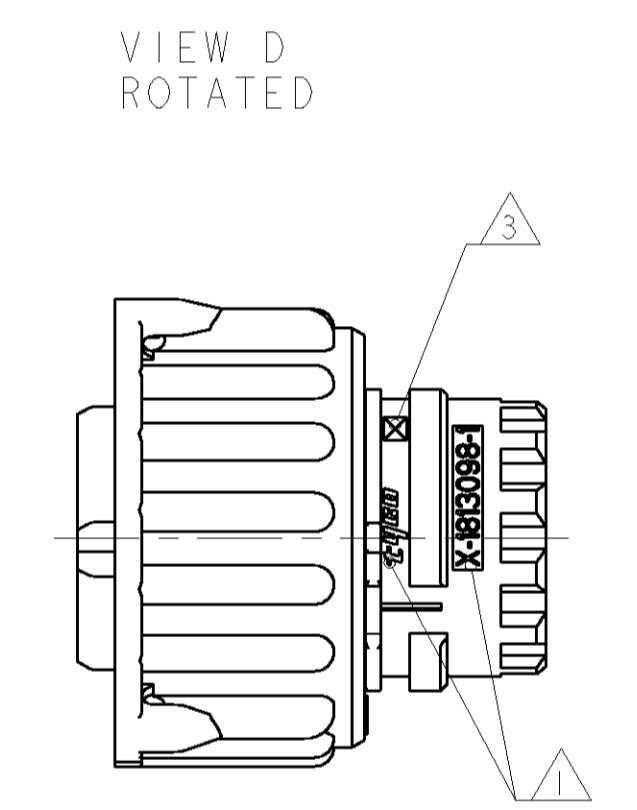
SECTION A-A



CLOSED CAVITY OF THE
 2POS./3POS. SOCKET HOUSING



VIEW C
 ROTATED



VIEW D
 ROTATED

- NOTES:
- 1 TYCO LOGO AND TYCO NUMBER OF SINGLE PART
 - 2 MATERIAL MARKING
 - 3 REVISION OF THE MOULD
 - 4 PRODUCTION DATE
 - 5 CAVITY MARKING
 - 6. FITS TO CONNECTORS ACC. TO DIN 72585/ISO 15170 FORM A AND B AND PIN-HOUSING 2-4POS. TYCO-PN 967402
 - 7. FOR SUITABLE CONTACTS SEE DRAWING: TYCO-PN:1355065
 MAX. WIRE THICKNESS: 2.5qmm FLR
 FOR SUITABLE SEALS SEE DRAWING: TYCO-PN:1355070
 - 8. BULK PACKING IN CARDBOARD BOX
 - 9 COLOR OF SOCKET HOUSING ACC.TO CODING.

CODING ACC. TO DIN 72585/ISO15170				USABLE CONTACT-CAVITIES	POS	QTY	MATERIAL	COLOR	DESCRIPTION OF SNGLE PARTS
4 BLUE	3 GREEN	2 GREY	1 BLACK						
4-1813099-3	3-1813099-3	2-1813099-3	1-1813099-3	1-2 (2POS)	4	1	PA46-GF30	BLACK	COUPLING RING
					3	1	SILICONE RUBBER	ORANGE	SEAL
					2	1	PA6/6T-GF25	YELLOW	SECOND LOCKING DEVICE
4-1813099-2	3-1813099-2	2-1813099-2	1-1813099-2	1-3 (3POS)	4	1	PA46-GF30	BLACK	COUPLING RING
					3	1	SILICONE RUBBER	ORANGE	SEAL
					2	1	PA6/6T-GF25	YELLOW	SECOND LOCKING DEVICE
4-1813099-1	3-1813099-1	2-1813099-1	1-1813099-1	1-4 (4POS)	4	1	PA46-GF30	BLACK	COUPLING RING
					3	1	SILICONE RUBBER	ORANGE	SEAL
					2	1	PA6/6T-GF25	YELLOW	SECOND LOCKING DEVICE
					1	1	PBT-GF30	9	4POS SOCKET HSG

DIMENSIONS: mm		TOLERANCES UNLESS OTHERWISE SPECIFIED: mm		DWN A. ZHANG 03JUN2005		tyco Tyco Electronics AMP Shanghai, China	
FINISH		FINISH		CHK R. ZHOU 25OCT2005		NAME 2.5mm SOCKET CONNECTOR, 2-4POS WITH SECONDARY LOCKING	
MATERIAL SEE TABLE		MATERIAL SEE TABLE		APVD K. QDA 03NOV2005		SIZE A1 00779 C=1813099	
SCALE 2:1		SHEET 1 OF 1		REVISIONS		RESTRICTED TO	