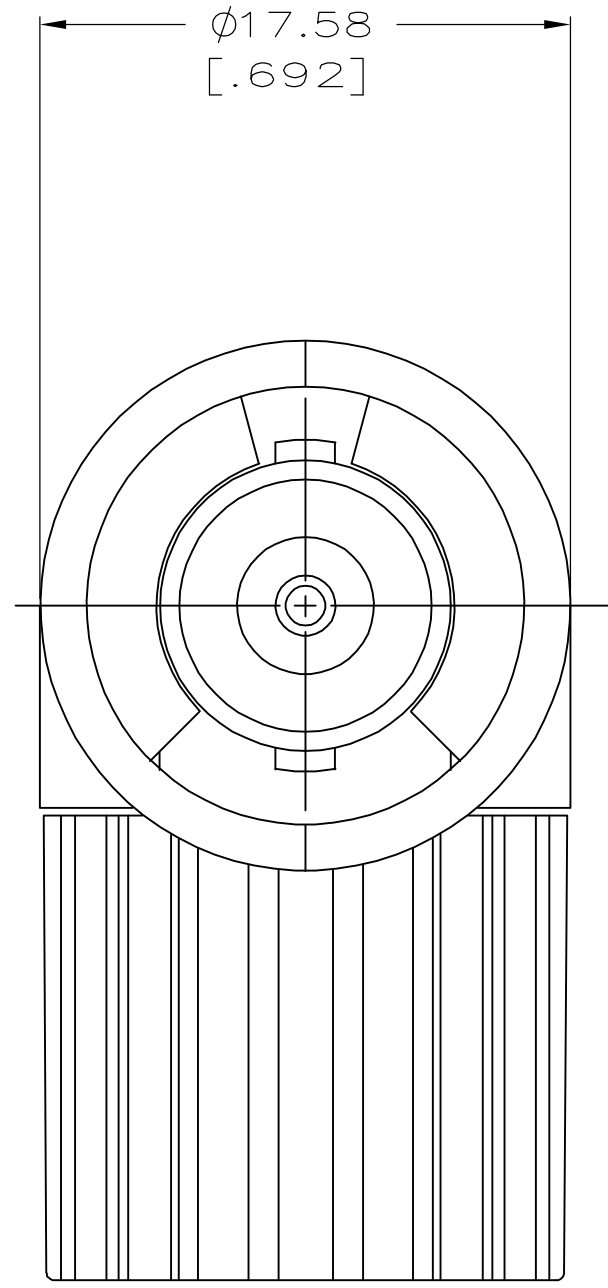
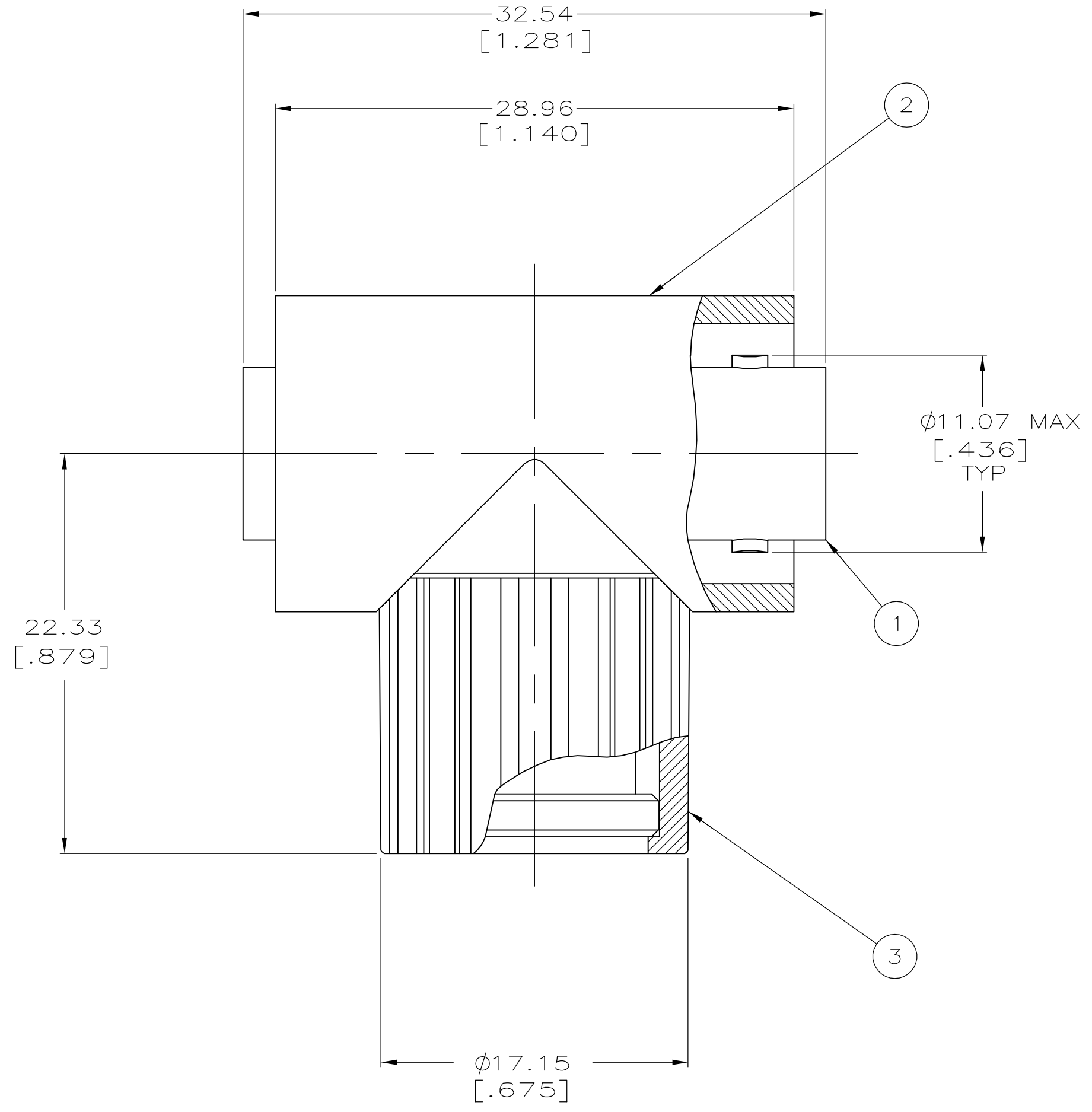


THIS DRAWING IS UNPUBLISHED. RELEASED FOR PUBLICATION
 © COPYRIGHT BY TYCO ELECTRONICS CORPORATION. ALL RIGHTS RESERVED.

| LOC | DIST | REVISIONS | | | | GV | KW |
|-----|------|-----------|-----|--------------------------|-----------|-----|------|
| AJ | 16 | P | LTR | DESCRIPTION | DATE | DWN | APVD |
| | | A | | REVISED PER 0S14-0150-05 | 11NOV2005 | REH | JL |



1 MATERIAL: POLYPHENYLENE OXIDE.
 2 COLOR: GRAY.

| | | | |
|-----------------|-------------|----------------------|-------------|
| 1 2 | 1 2 | 5413592-6 | 5413366-2 |
| 3 INSULATOR CAP | 2 INSULATOR | 1 T-ADAPTER ASSEMBLY | PART NUMBER |

| | | | | |
|---|--|---------------------------------|---|--------------------|
| THIS DRAWING IS A CONTROLLED DOCUMENT. | | DWN J. HAVENER 28OCT2005 | tyco Electronics Tyco Electronics Corporation Harrisburg, PA 17105-3608 | |
| DIMENSIONS: mm [INCHES] | | CHK J. HAVENER 28OCT2005 | | |
| TOLERANCES UNLESS OTHERWISE SPECIFIED: | | APVD J. LIPPERT 28OCT2005 | NAME T-ADAPTER, INSULATED, SERIES BNC | |
| 0 PLC ± - 1 PLC ± - 2 PLC ± 0.51 [.020] 3 PLC ± - 4 PLC ± - ANGLES ± - FINISH - | | PRODUCT SPEC 108-12090 | SIZE A2 | CAGE CODE 00779 |
| MATERIAL - | | WEIGHT - | DRAWING NO C=5413366 | RESTRICTED TO - |
| CUSTOMER DRAWING | | | SCALE 4:1 | SHEET 1 of 1 |