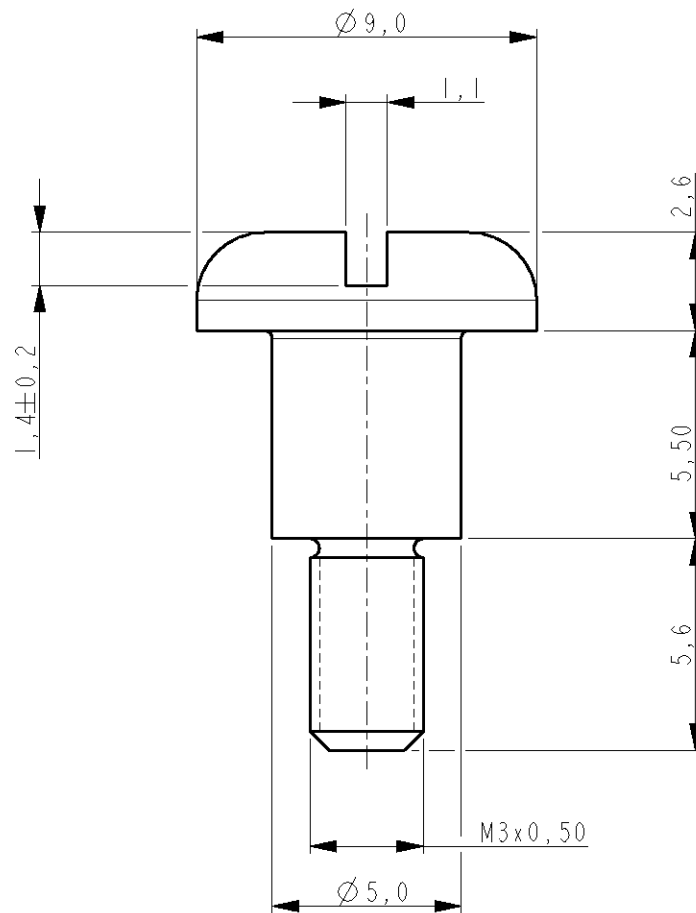


LOC	DIST	REVISIONS				
P	LTR	DESCRIPTION	DATE	DWN	APVD	
H	-	A	FIRST ISSUE	23JAN2006	RD	JB

NOTES:

 PLATING: BRIGHT ZINC COATING WITH CLEAR TRIVALENT CHROMATE FILM.




ORDERNUMBER: 5343404-1

RELEASED FOR PUBLICATION

THIS DRAWING IS UNPUBLISHED.

© COPYRIGHT - BY TYCO ELECTRONICS CORPORATION. ALL RIGHTS RESERVED.

DIMENSIONS: mm	DWN R. Daamen	20 jan 06	MATERIAL	STEEL	FINISH		-
	CHK J. Broeksteeg	-	<b>tyco</b> <b>Electronics</b>		Tyco Electronics Nederland BV 's-Hertogenbosch, The Netherlands		
TOLERANCES UNLESS OTHERWISE SPECIFIED:	APVD J. Broeksteeg	-	NAME SLOTTED PAN HEAD SHOULDER SCREW M3				
	PRODUCT SPEC	-	SIZE	CAGE CODE	DRAWING NO	RESTRICTED TO	
0 PLC ±-	APPLICATION SPEC	-	A 4	00779	©=5343404	-	
1 PLC ±0,1	WEIGHT	-	CUSTOMER DRAWING		SCALE	SHEET	OF
2 PLC ±0,05					10:1	1	1
3 PLC ±-							REV
4 PLC ±-							A
ANGLES ±-							

