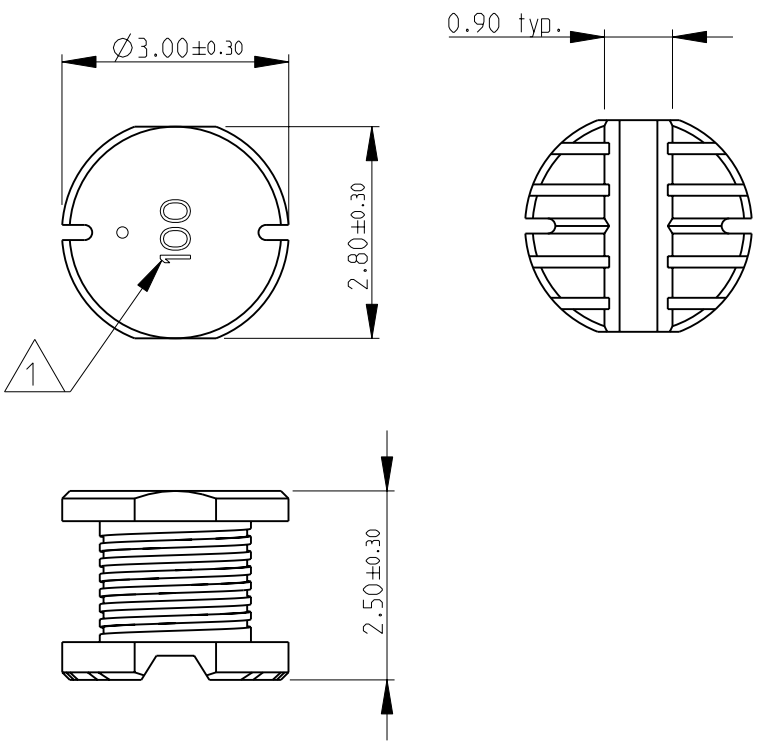


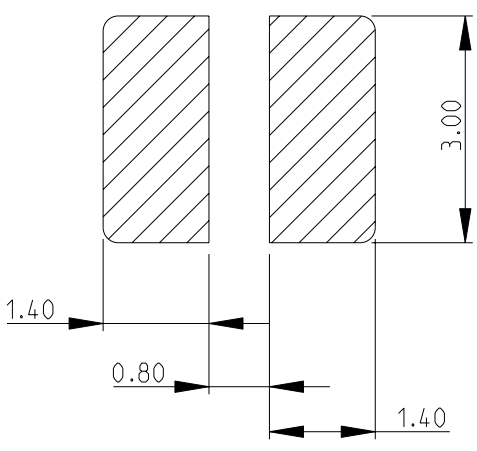
THIS DRAWING IS UNPUBLISHED. RELEASED FOR PUBLICATION 2008
 © COPYRIGHT 2008 BY TYCO ELECTRONICS CORPORATION. ALL RIGHTS RESERVED.

LOC		DIST		REVISIONS			
P	LTR	DESCRIPTION		DATE	DWN	APVD	
E	B	BA	NEW RELEASE	25-Aug-08	SM	St.P	

3621A SERIES AS SHOWN



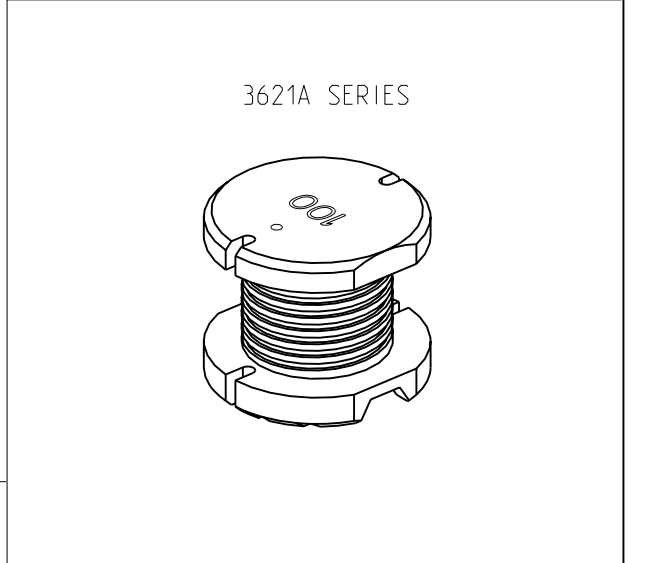
RECOMMENDED LAND PATTERN FOR 3621A SERIES



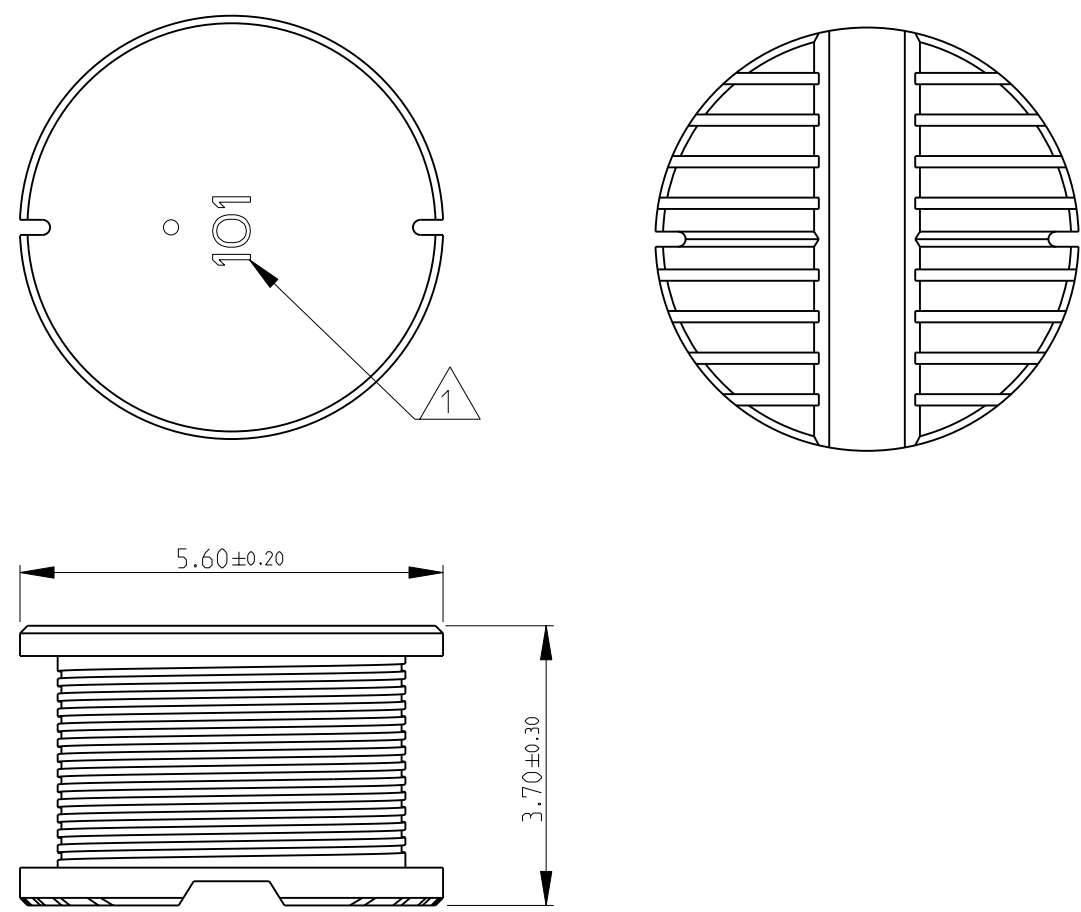
1 INDUCTANCE CODE

2 FOR FURTHER INFORMATION SEE DATA SHEET FOR 3621 SERIES-POWER INDUCTORS

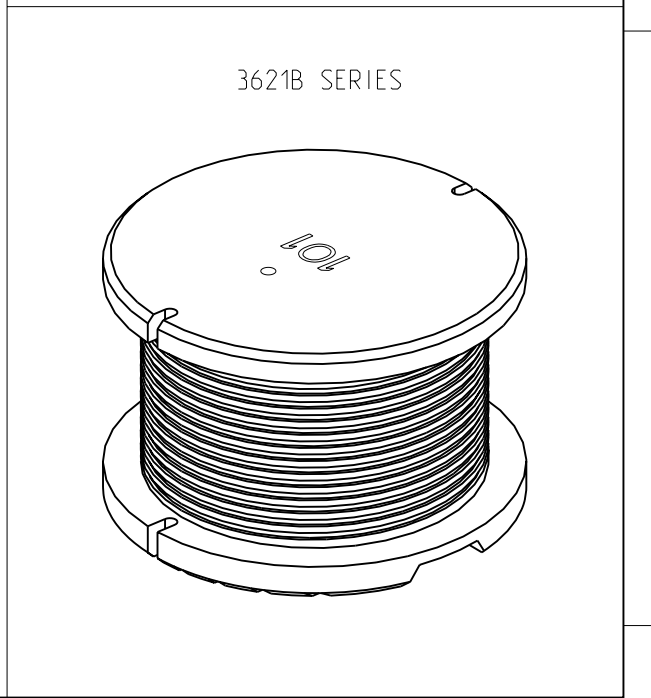
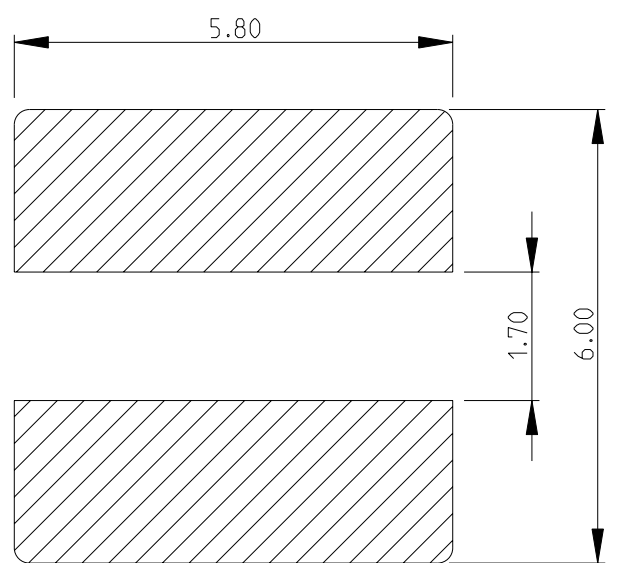
RoHS Compliant



3621B SERIES AS SHOWN



RECOMMENDED LAND PATTERN FOR 3621B SERIES



<small>THIS DRAWING IS A CONTROLLED DOCUMENT FOR TYCO ELECTRONICS CORPORATION. IT IS SUBJECT TO CHANGE AND THE CONTROLLING ENGINEERING ORGANIZATION SHOULD BE CONTACTED FOR THE LATEST REVISION.</small>		DWN	SUBHASH.M	25-Aug-08	Tyco Electronics Corporation Dorcan, Swindon, SN3 5HH				
DIMENSIONS: mm		CHK	PRAKASH.S	25-Aug-08	NAME				
TOLERANCES UNLESS OTHERWISE SPECIFIED: 0 PLC ±0.2 1 PLC ±0.1 2 PLC ± 3 PLC ± 4 PLC ± ANGLES ±5°		APVD	STEPHEN.P	25-Aug-08	POWER INDUCTORS SERIES 3621				
MATERIAL - FINISH -		PRODUCT SPEC	-			SIZE	CAGE CODE	DRAWING NO	RESTRICTED TO
APPLICATION SPEC -		WEIGHT	-			A3	00779	1676954	-
CUSTOMER DRAWING		SCALE	10:1		SHEET	1 OF 1		REV	BA