

AF-12880B

•128 x 80 dots

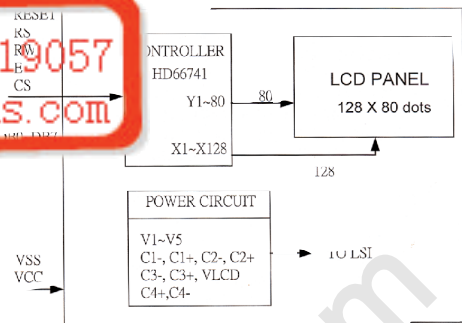
1/80 Duty

FEATURE

- 1.Construction : LCD panel and COF
- 2.Display type : FSTN, Transflective, Positive, 6 o'clock view
- 3.Driver LSI : HD66741
- 4.Interface for 68 series family MPU
- 5.Internal oscillation circuit.
- 6.Extend temperature type.

液晶之友 电话: 020-33819057
[Http://www.lcdfriends.com](http://www.lcdfriends.com)

BLOCK DIAGRAM & POWER SUPPLY

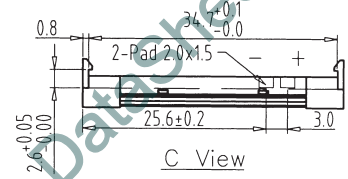
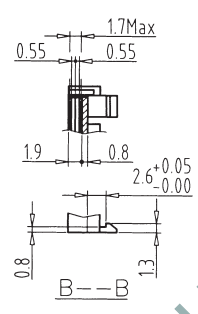
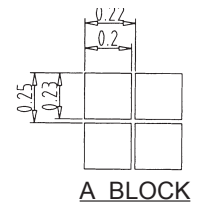
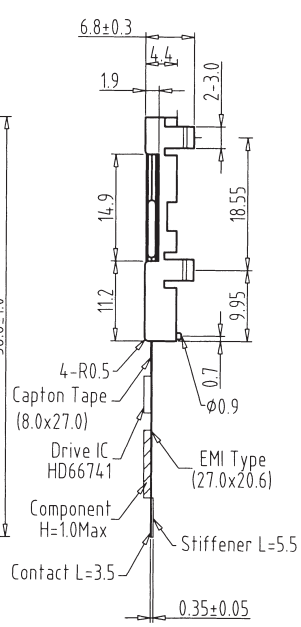
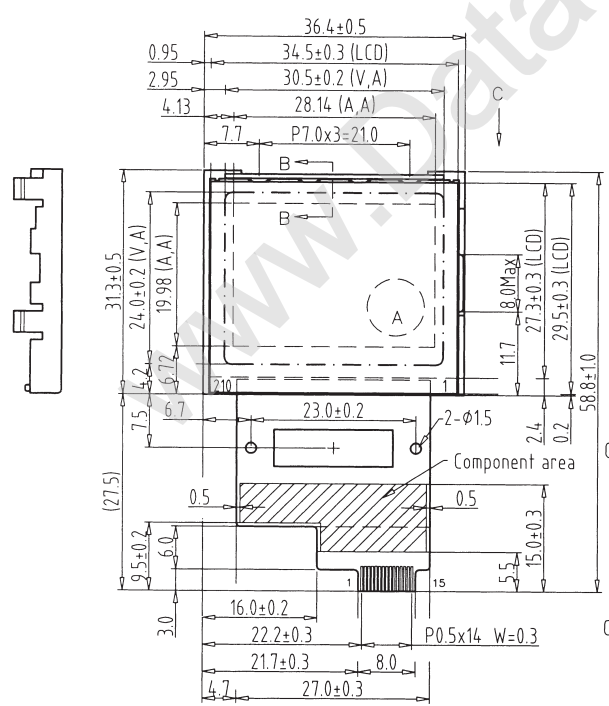
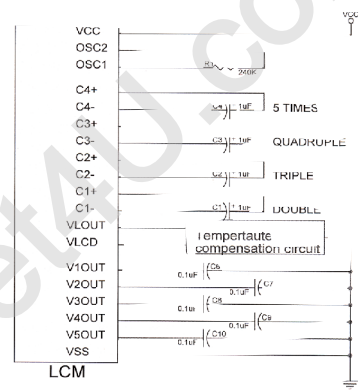


ELECTRICAL CHARACTERISTICS

Parameter	Symbol	Condition	Typ Value	Unit.
LCD Driving Voltage	VLCD	25°C	10.5	V
Logic Supply Current	IDD	VDD=3.0V	0.05	mA

INTERFACE

1	2	3	4	5	6	7	8
VSS	RW	E	RS	CS	/RESET	DB0	DB1
9	10	11	12	13	14	15	
DB2	DB3	DB4	DB5	DB6	DB7	VDD	



AF-12880B
 AF-12864L