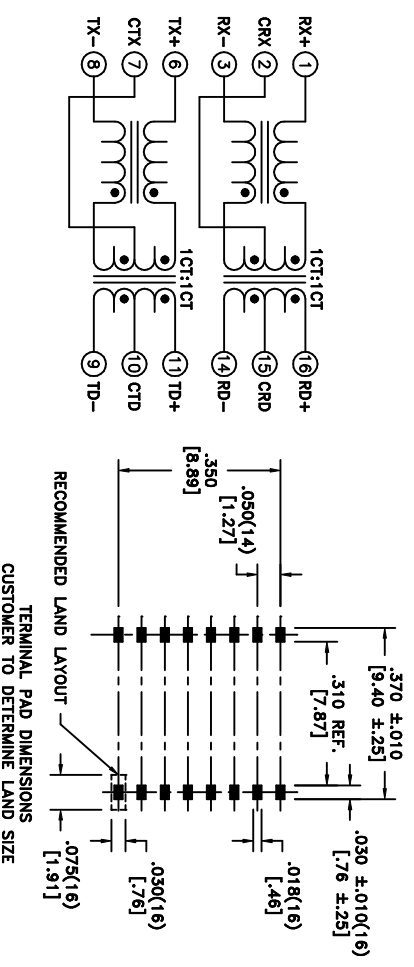
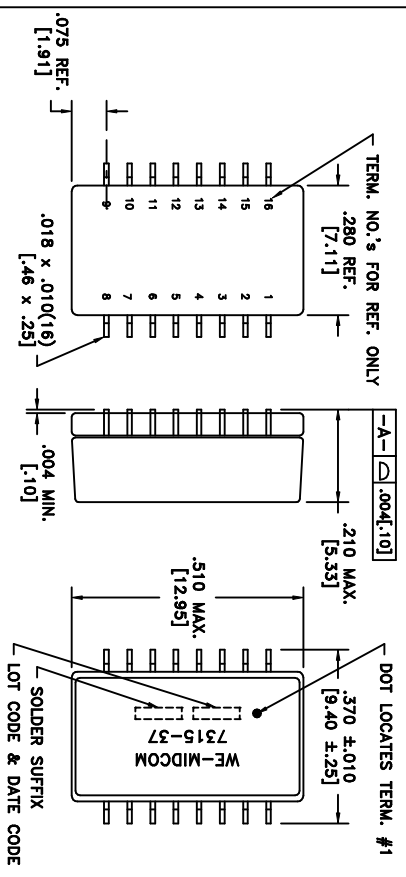


SOLDER SUFFIX	CUSTOMER TERMINAL	ROHS	LEAD(Pb)-FREE
LF1	Sn63%, Pb37%, Ag4%	No	No
	Yes	Yes	No



ELECTRICAL SPECIFICATIONS @ 25°C unless otherwise noted:

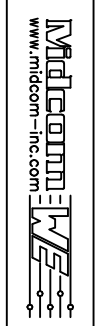
- INSERTION LOSS: -1.0dB max., 300k - 100MHz.
- DIELECTRIC RATING: 1500Vrms, 1 minute tested by applying 1875Vrms for 1 second between 1-16 (tie 1+6, 16+11).
- INDUCTANCE: 350uH min., 100kHz, 100mVAC, 8mADC, 1-3; 6-8, LF1
- RETURN LOSS: -18dB min., 300k - 30MHz.
-16dB min., 30M - 45MHz.
-14dB min., 45M - 60MHz.
-12dB min., 60M - 80MHz.
- TURNS RATIO & POLARITY: Per Schematic.
- CROSSTALK: -65dB min., 1MHz.
-45dB min., 60MHz.
-55dB min., 30MHz.
-35dB min., 100MHz.
- CMRR: -40dB min., 300k - 100MHz.
-30dB min., 300k - 100MHz.
- OPERATING TEMPERATURE RANGE: -40°C to +85°C.
- COPLANARITY: All 16 terminals must lie on a plane within .004 [1.10] of Surface A after lead tinning.
- Midecom p/n 000-7315-37R-LF1 is eISos p/n: 749010014.

REV.	DATE
6E	8/08
6D	7/07
6C	2/07
6B	8/06
6A	6/06

Method: Tape & Reel
 PKG-0339
 www.midecom-inc.com

Unless otherwise specified:
 Tolerances: Fractions: ±1/64
 Angles: ±1° Decimals: ±.005[.127]
 This drawing is dual dimensioned. Dimensions in brackets are in millimeters.

DRAWING TITLE
TRANSFORMER
 PDSO-G16
 eISos p/n: 749010014



DRAWING NO. 000-7315-37R/-LF1
 SCALE ---
 SHEET 2 OF 8