

AC-402A

•40 Charsx2 Line 1/16 Duty

FEATURE

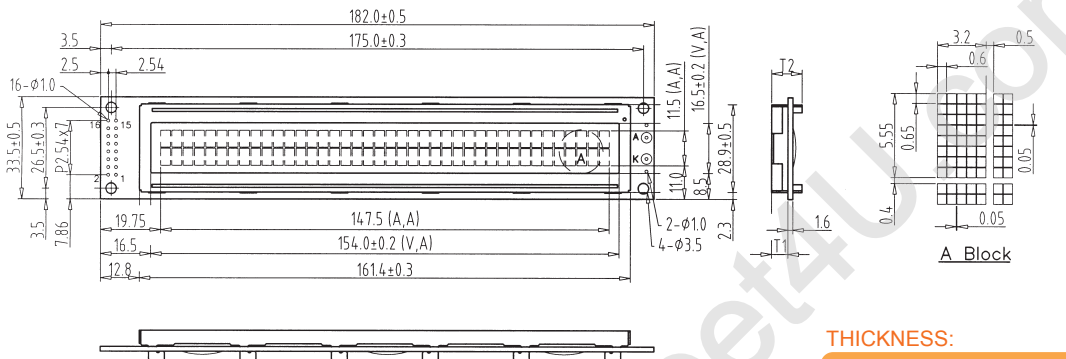
- 1.Construction : STN LCD panel, Bezel, Zebra and PCB.
- 2.Optional LED or EL back-light.
- 3.Controller : KS0066U or Equivalent.
- 4.5V or 3.3V single power input. Built-in DC/DC converter while using 5.0V power input.
- 5.Normal / Extended temperature type.

ELECTRICAL CHARACTERISTICS

Item	Sym.	Condition	Typ.Value	Unit.
LCD Driving Voltage	VDD-V0	25°C	5.0	V
Supply Current	IDD	VDD=5.0V	2.0	mA

INTERFACE

1	2	3	4	5	6	7	8	9	10	11	12	13	14	15	16
VSS	VDD	V0	RS	R/W	E	DB0	DB1	DB2	DB3	DB4	DB5	DB6	DB7	A/EL1	K/EL2



THICKNESS:

VERSION	T1	T2
EL&NO BACKLIGHT	5.4 ± 0.3	10.5Max
LED BACK LIGHT	9.0 ± 0.3	14.0Max

AC-404A

•40 Charsx4 Line 1/16 Duty

FEATURE

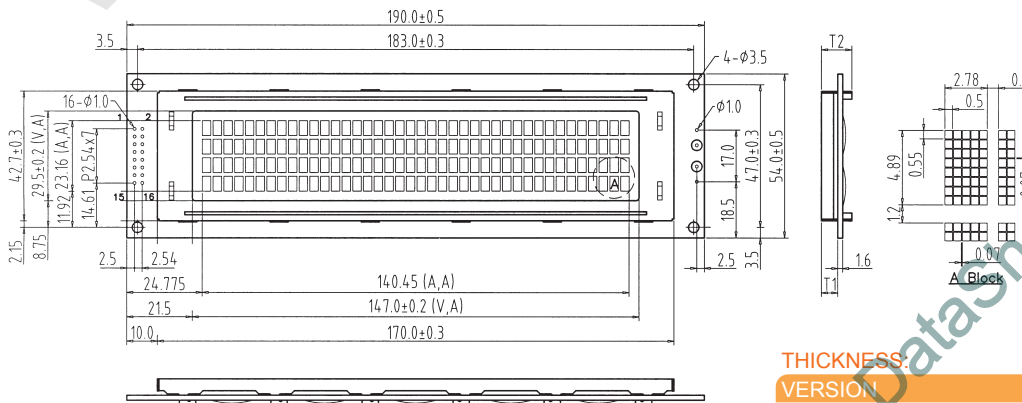
- 1.Construction : STN LCD panel, Bezel, Zebra and PCB.
- 2.Optional LED or EL back-light.
- 3.Controller : KS0066U or Equivalent.
- 4.5V or 3.3V single power input. Built-in DC/DC converter while using 3.3V power input.
- 5.Normal / Extended temperature type.

ELECTRICAL CHARACTERISTICS

Item	Sym.	Condition	Typ.Value	Unit.
LCD Driving Voltage	VDD-V0	25°C	5.0	V
Supply Current	IDD	VDD=5.0V	3.0	mA

INTERFACE

1	2	3	4	5	6	7	8	9	10	11	12	13	14	15	16
DB7	DB6	DB5	DB4	DB3	DB2	DB1	DB0	E1	R/W	RS	V0	VSS	VDD	E2	NC



THICKNESS:

VERSION	T1	T2
EL&NO BACKLIGHT	5.4 ± 0.3	10.5Max
LED BACK LIGHT	8.9 ± 0.3	14.0Max