

O/E/N 35

MEDIUM POWER AUTOMOTIVE RELAY

FEATURES

- Direct PCB Mountable
- Cost Effective
- Suitable for various loads
- Miniature Size

APPLICATION

- Turn Signal & hazard warning lights
- Flashers
- Wiper Controls
- Head Lamp Control
- Starter Motors
- Security Systems

TECHNICAL DATA FOR CONTACT SIDE :

| Model | 3501/3531 | 3521 | 3541 |
|---|-----------------------------------|----------------------------------|-----------------------|
| Areas of Application | RESISTIVE / INDUCTIVE LOAD | INDICATOR LAMP LOAD | HEAD LAMPLOADS |
| Contact Configuration | 1A/1C | 1A | 1A |
| Contact Material | Silver Nickel | Palladium copper*/ Silver Nickel | Silver Tin Oxide |
| Contact Rating at 23°C - 12VDC | 12A/8A(Res.) | 360W (Lamp) | 20A (Lamp) |
| 24VDC | 6A / 4A (Res.) | 180W (Lamp) | 10A (Lamp) |
| Electrical Life Operations Min. | 1 x 10 ⁵ | 1 x 10 ⁶ | 2 x 10 ⁵ |
| Mechanical Life Operations Min. | 1 x 10 ⁷ | 1 x 10 ⁷ | 1 x 10 ⁷ |
| Contact Voltage Drop at 10 A (Min) | 60mV | 100mV | 60mV |
| Maximum Switching Current @ 12.8 VDC For 3 Sec. | 50A | 50A | 50A |

*The moving contact (Pdcu) must be connected to positive polarity

www.DataSheet4U.com

GENERAL DATA FOR COIL SIDE

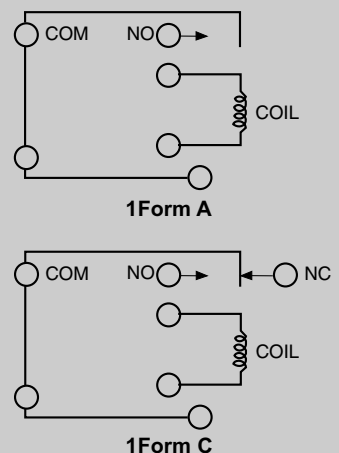
| | |
|--------------------|--------------------|
| Nominal Coil Power | : 1.6W (Approx) |
| Operating Power | : 1.9W (Approx) |
| Operate Time** | : 10 milli Seconds |
| Release Time** | : 5 milli Seconds |

** At nominal voltage without coil suppression (excluding bounce)

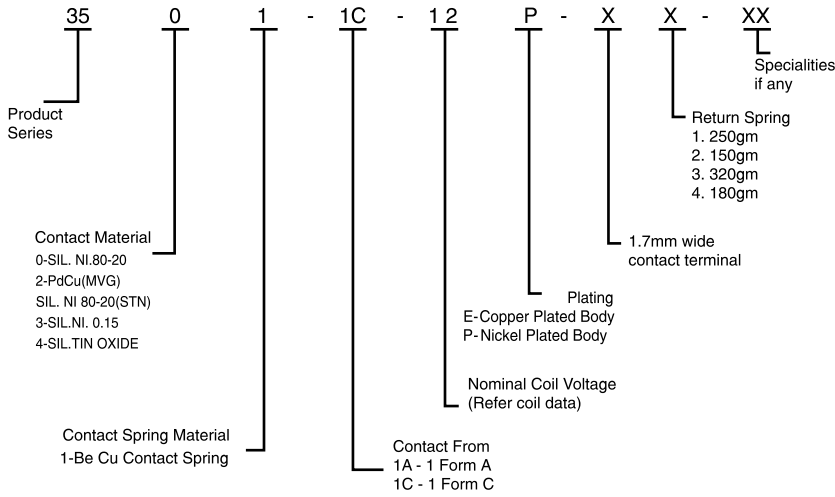
OPERATING CONDITIONS

| | |
|---|---|
| Ambient Temperature | : -40°C to +85°C |
| Maximum Temperature | : 155°C |
| Dielectric Strength | : 500VRMS |
| Insulation Resistance | : 100 Meg. Ohms Min. At 500 VDC, 25°C RH 50 |
| Vibration Resistance (without Change in switching state > 10μS) | : 10-100Hz 20 - 40g |
| Shock Resistance (without Change in switching state > 10μS) | : 30g, 8mS |

CIRCUIT DIAGRAM



HOW TO ORDER

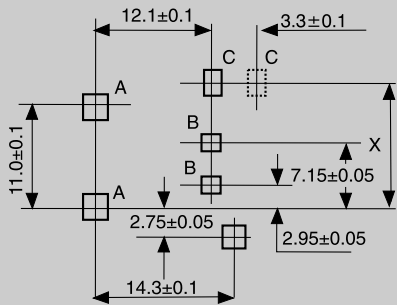


COIL DATA

| Nominal Voltage VDC | *Pick-up Voltage VDC (Max) | Drop-out Voltage VDC (Min) | Coil Resistance Ohms \pm 10% |
|---------------------|----------------------------|----------------------------|--------------------------------|
| 6 | 5 | 0.6 | 35 |
| 9 | 7 | 0.9 | 55 |
| 12 | 9 | 1.2 | 88 |
| 18 | 14 | 1.8 | 260 |
| 24 | 18 | 2.4 | 400 |
| 48 | 36 | 4.8 | 1700 |

**Lower pick-up Voltages available on request

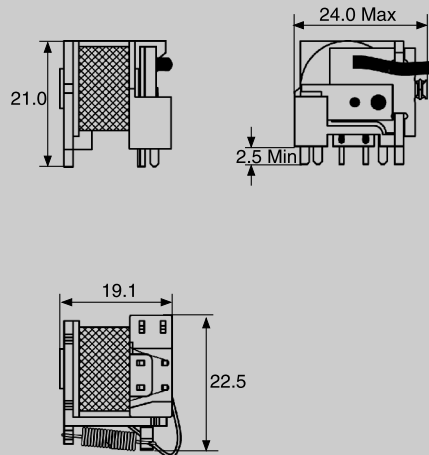
DRILLING PATTERN



| | DIM - X | SLOT - A | SLOT - B | SLOT - C |
|--|-----------|------------|------------|-------------------|
| Std. Relay with 1.7mm wide contact terminal (Std.) | 13.15±0.1 | 1.7±0.1 SQ | 1.1±0.1 SQ | 2.0±0.1 x 1.1±0.1 |

Note:
 Slot C given in dotted line is only to Std.1 form-C version. For holes in place of slots use \varnothing 2.3 holes instead of slots A \varnothing 1.3 holes instead of slots B & 2.1 holes instead of slots C

DIMENSIONS



AVAILABLE ON REQUEST

- Special contacts for higher contact rating
- Extra braided wire
- High temperature winding wire
- Special coil resistance & pick-up
- For other custom solutions consult factory