

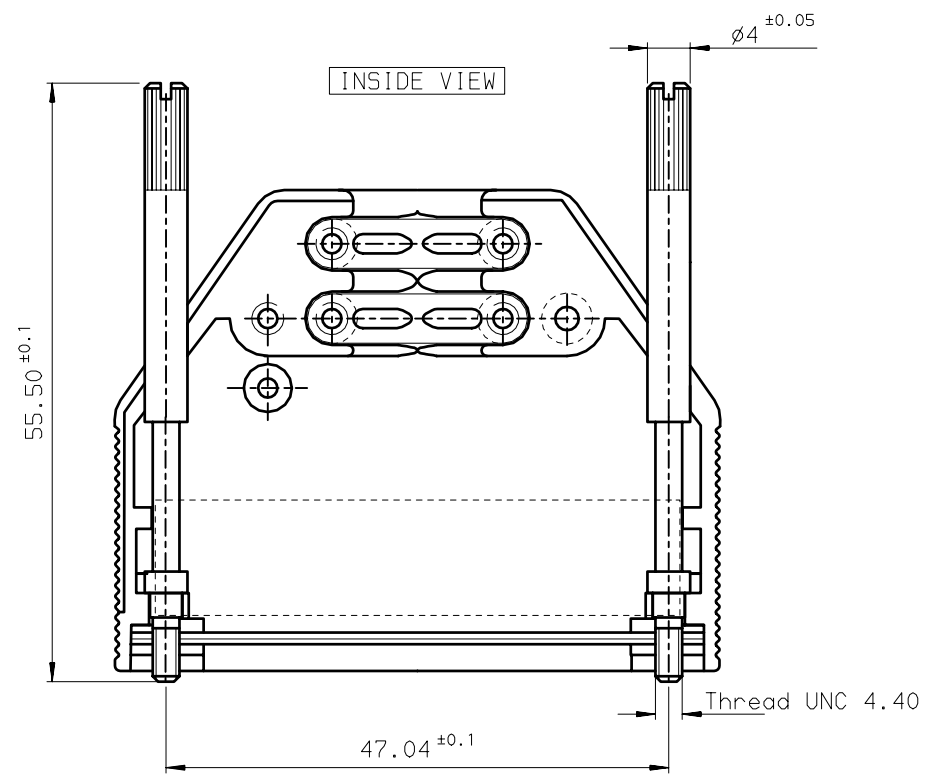
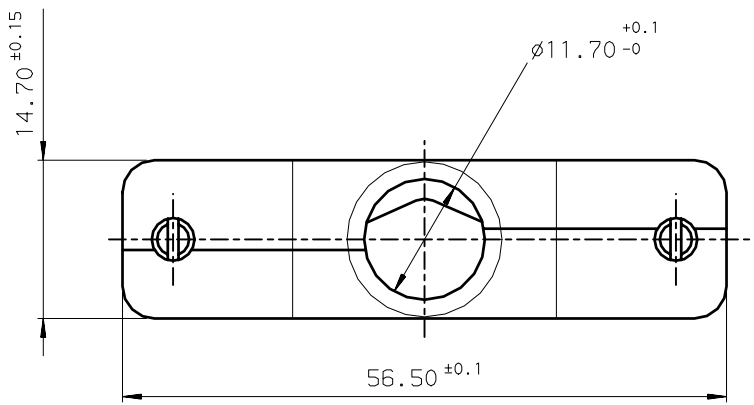
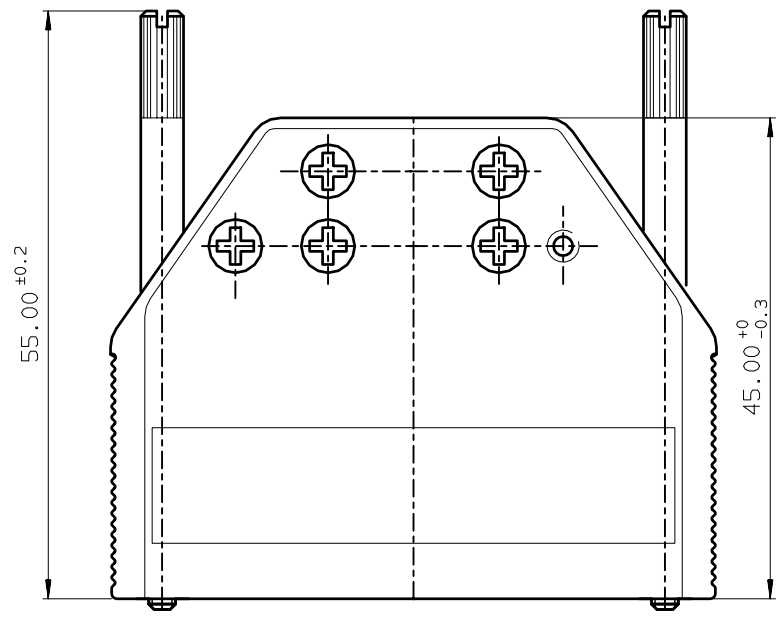
Tous droits strictement réservés. Reproduction ou communication a des tiers interdite sous quelque forme que ce soit sans autorisation écrite du propriétaire. Propriété de c FCI. Droits de reproduction FCI.



ALL rights strictly reserved. Reproduction or issue to third parties in any form whatever is not permitted without written authority from the proprietor. Property of FCI. Copyright FCI.

www.DataSheet4U.com

www.DataSheet4U.com



Core range		
PART NUMBER	8655MH2511	PACKAGING:per 1 piece

FOR STANDARD AND APPLICATION SPECIFIC PART NUMBER SEE SHEET 2. European view

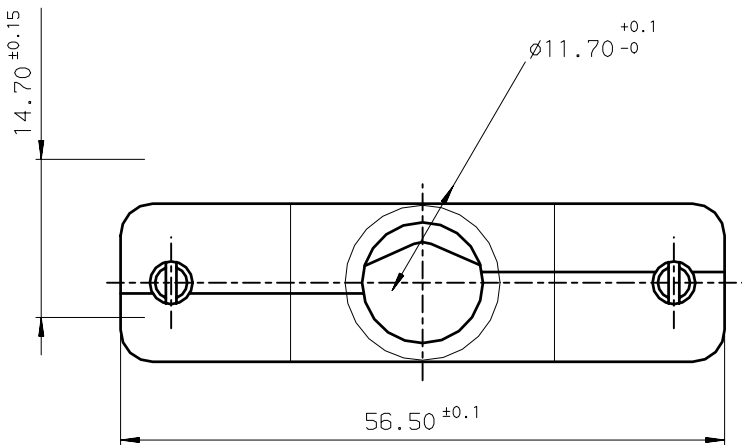
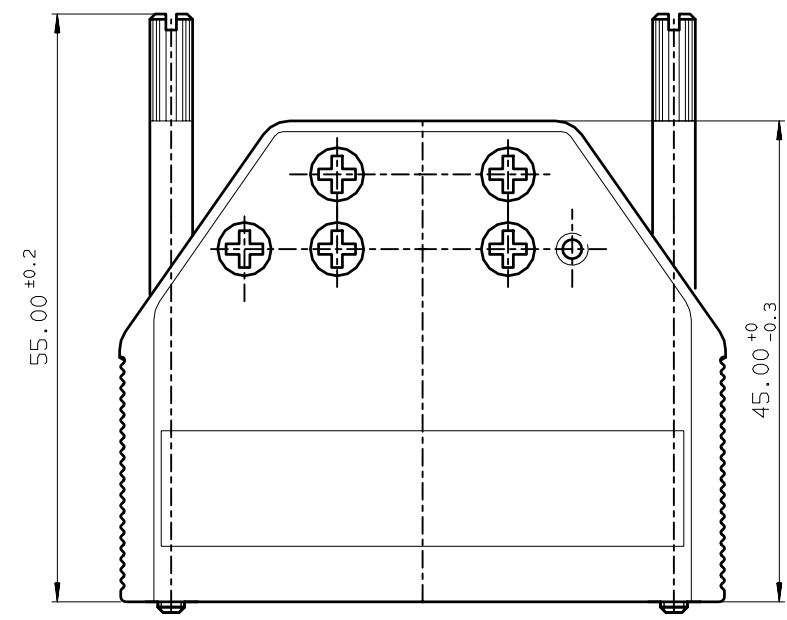
ltr	ecn no	dr	date
C	-	JAR	12/08/02
D	LS05-0026	MPE	08/07/05
E	LS05-0083	MPE	09/09/05
-	-	-	-
-	-	-	-
-	-	-	-
-	-	-	-

www.fciconnect.com		ISO 1302	tolerance ISO 406 ISO 1101	projection 	mm
Dr	JARRY	01/07/02	Product family	D-SUB	size
Eng	PESSON	01/07/02	Spec ref	-	A3
Chr	LEGARE	01/07/02	Material	SEE NOTES	Scale
Appr	LEGARE	01/07/02	ECN	LS05-0083	5
title SHIELDED HOODS -TWO PARTS (Shell size 25)			dwg no C01-8655-0627-1	Rev. E	
catalog no - CUSTOMER COPY			sheet 1 of 2		

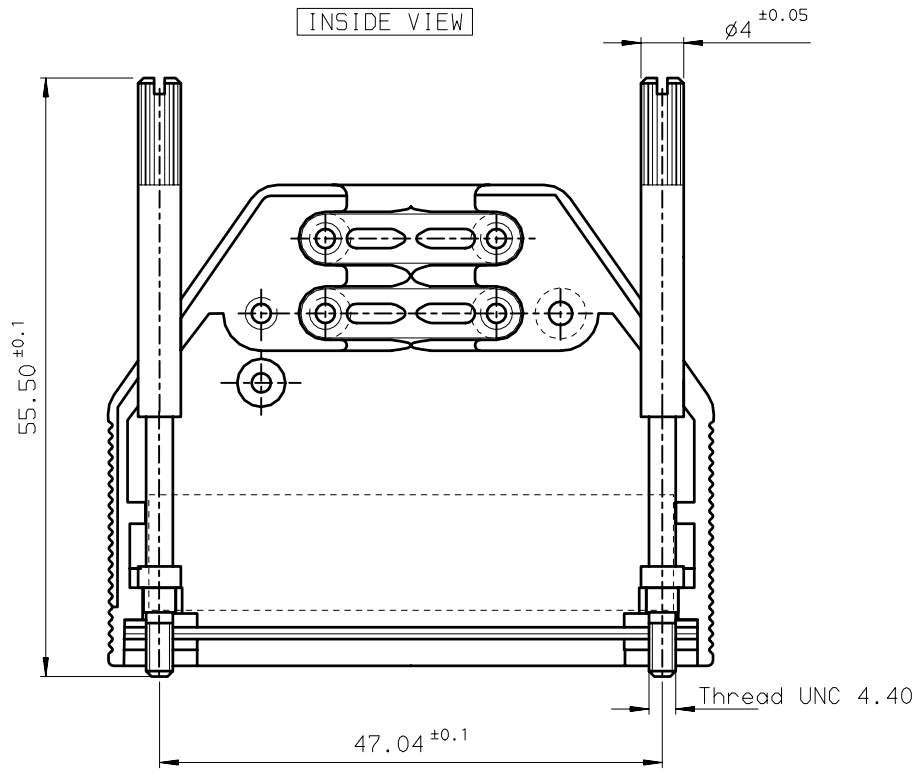
Tous droits strictement réservés. Reproduction ou communication a des tiers interdite sous quelque forme que ce soit sans autorisation écrite du propriétaire. Propriété de c FCI. Droits de reproduction FCI.



ALL rights strictly reserved. Reproduction or issue to third parties in any form whatever is not permitted without written authority from the proprietor. Property of FCI. Copyright FCI. www.DataSheet4U.com



INSIDE VIEW



Pull Parts		
PART NUMBER	8655MH2511	PACKAGING: per 60 pieces

ltr	ecn no	dr	date
C	-	JAR	12/08/02
D	LS05-0026	MPE	08/07/05
E	LS05-0083	LG0	07/09/05
-	-	-	-
-	-	-	-
-	-	-	-
-	-	-	-

www.fciconnect.com ISO 1302	<input checked="" type="checkbox"/> tolerance ISO 406 ISO 1101	projection 	mm
	Dr JARRY 01/07/02 Product family D-SUB size A3 Scale 5 Eng PESSON 01/07/02 Spec ref - Chr LEGARE 01/07/02 Material SEE NOTES ECN LS05-0083 Appr LEGARE 01/07/02	European view	
title SHIELDED HOODS -TWO PARTS (Shell size 25)		dwg no C01-8655-0627-2	sheet 2 of 2
catalog no - CUSTOMER COPY		STATUS: Released	