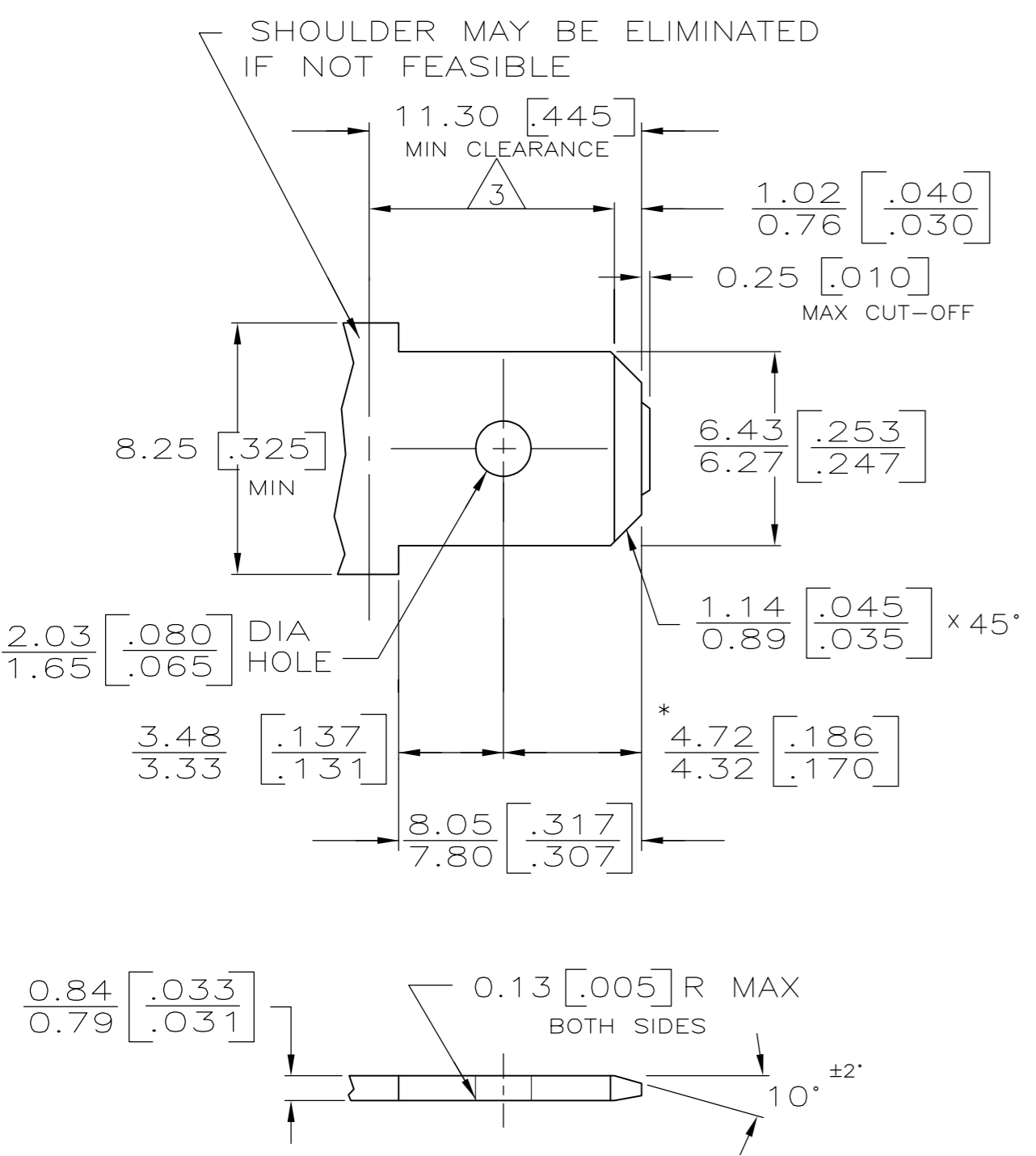


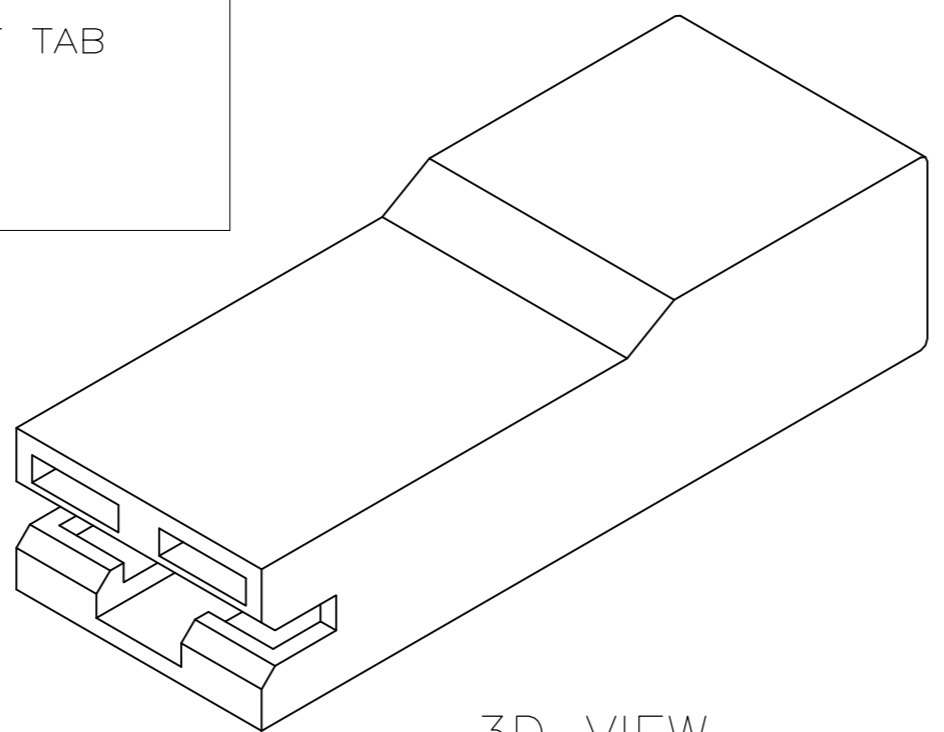
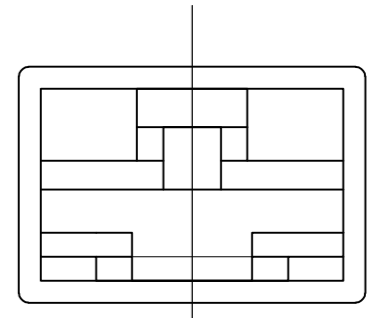
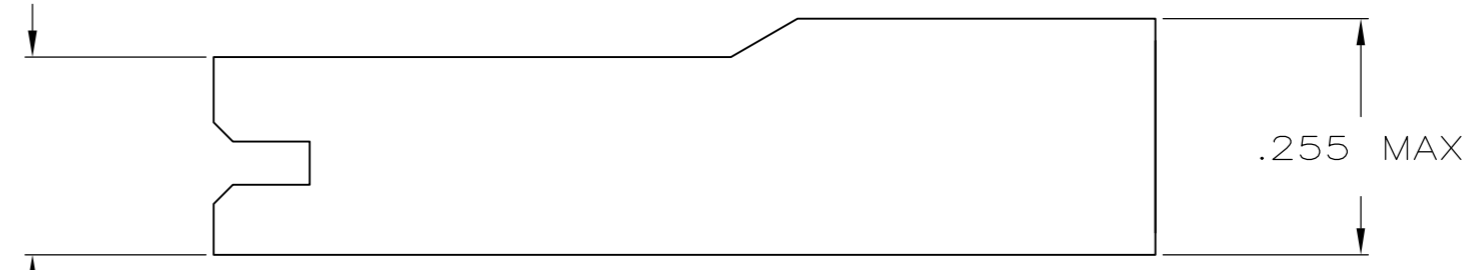
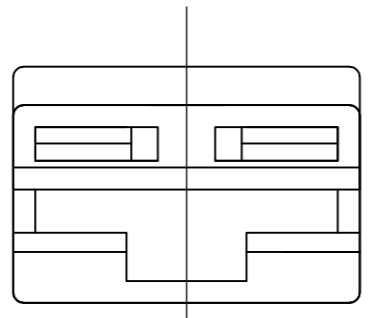
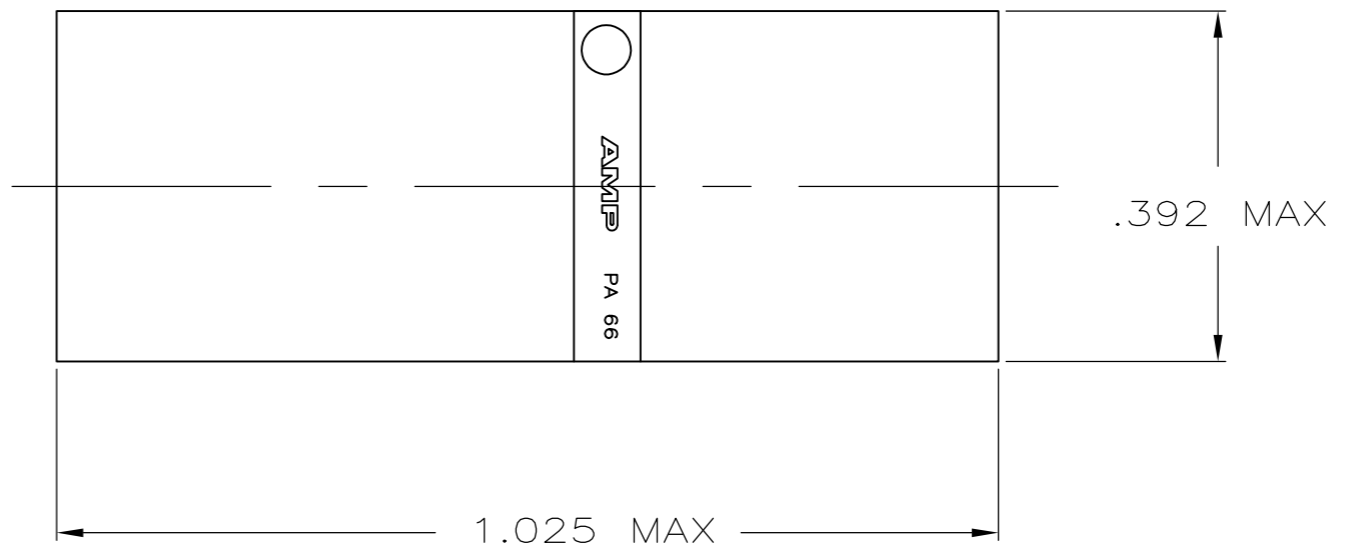
LOC	DIST	REVISIONS			
P	LTR	DESCRIPTION	DATE	DWN	APVD
AF	50				
	M2	REVISED PER ECR-09-013197	18JUN09	HMR	GP
	M3	REVISED PER ECO-10-000443	12JAN10	KK	AEG

# SUGGESTED MATING TAB



- 3 PRELIMINARY - NOT FOR PRODUCTION
- 4 OFFERED FOR CONSIDERATION IN "NON-DRIP" HOUSING MATERIAL APPLICATIONS.
- 5 OBSOLETE PARTS: OBSOLETE CIS STREAMLINING I PER D.RENAUD/D.SINIS

- 1 ALL DIMENSIONS APPLY TO A MOISTURIZED HOUSING.
- 2 AMP BRAZIL PRODUCTION ONLY



3D VIEW

- 1 - MATL: 1/2H BRASS OR NICKEL PL STEEL.
- 2 - NO BURRS PERMISSIBLE AT HOLE.
- 3 - MUST BE FLAT WITHIN 0.076 [0.003] OVER THIS LENGTH.
- 4 - TIN PLATING IS REQUIRED ON BRASS WHEN TERMINAL TEMP. IS OVER 225° F.
- 5 - HOLE MUST BE SYMMETRICAL ABOUT TAB Q WITHIN 0.076 [0.003]
- \* TO BE USED ONLY WHEN SHOULDER IS ELIMINATED.

5	OBSELETE	COLOR	MATERIAL	PART NO
		NATURAL	6/66 OR 66 NYLON, VO	3 1-521120-5
		NATURAL	6/6 NYLON, VO	3 1-521120-4
		NATURAL	66/6 OR 66 NYLON, VO	2 1-521120-3
		YELLOW	6/6 NYLON	2 1-521120-2
		BLUE	6/6 NYLON	2 1-521120-1
		GREEN	6/6 NYLON	2 1-521120-0
		RED	6/6 NYLON	2 -521120-9
		BLACK	6/6 NYLON	2 521120-8
		NATURAL	6/6 NYLON	2 521120-7
		BLACK	4/6 NYLON	521120-6
		RED	6/6 NYLON	521120-5
		BLUE	6/6 NYLON	521120-4
		PUTTY	6/6 NYLON	-521120-2
		NATURAL	6/6 NYLON	521120-1

THIS DRAWING IS A CONTROLLED DOCUMENT.

DIMENSIONS: INCHES	TOLERANCES UNLESS OTHERWISE SPECIFIED:	DWN: JR RUTH 7/3/96	CHK: MS FEHER 7/3/96	APVD: J GILLISPIE 7/3/96	NAME: HOUSING, RECEPTACLE, POSITIVE-LOCK, MKIII, 6.35 [0.250] SERIES
0 PLC ± -	1 PLC ± -	2 PLC ± 0.25 [0.010]	3 PLC ± -	4 PLC ± -	ANGLES ± -
MATERIAL: SEE TABLE	FINISH: SEE TABLE	WEIGHT: -	SCALE: A2	CAGE CODE: 00779	DRAWING NO: C=521120
CUSTOMER DRAWING			SCALE: 5:1	SHEET: 1 of 1	REV: M3

Tyco Electronics Corporation  
 Harrisburg, PA 17105-3608