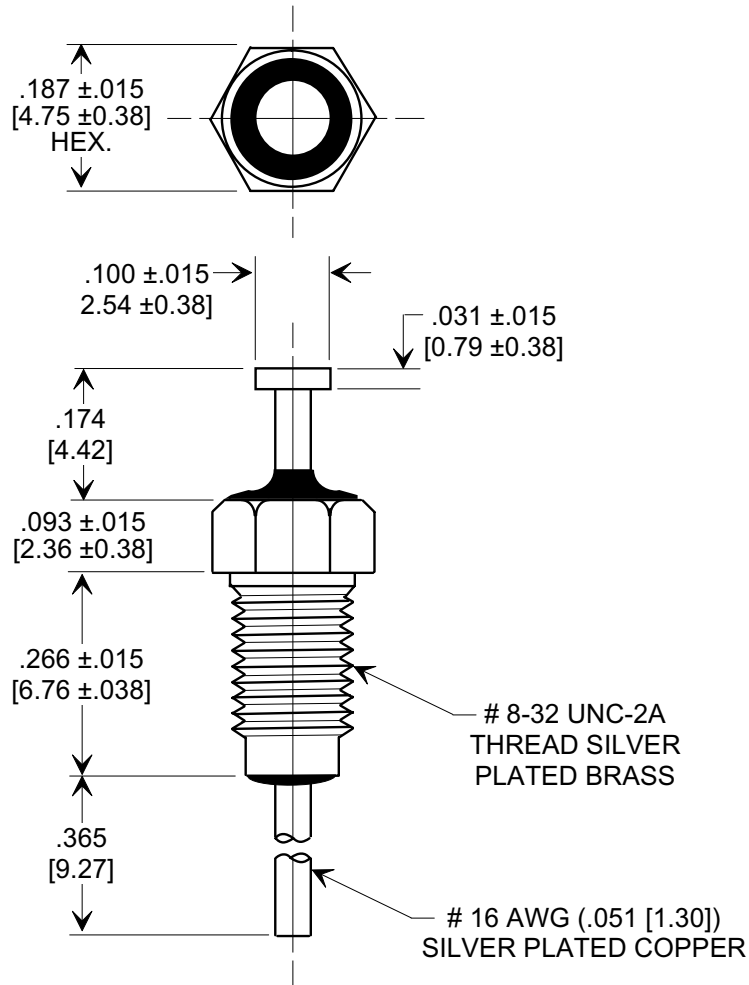
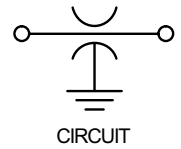
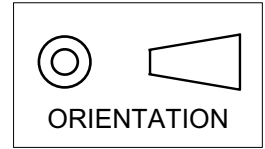


# MARKETING SALES DRAWING

**DIMENSIONS IN INCHES - DO NOT SCALE THIS DRAWING**  
**DIMENSIONS IN METRIC - [ ]**

This drawing is the property of Tusonix, Inc., and may not be used, reproduced, published or disclosed to others without expressed authorization by Tusonix Inc.

**Electrical Testing**  
**per Tusonix standard**  
**test plans and Mil-Std-202**  
**Test Methods.**



**NOTES:**

1. SUPPLIED WITH SILVER PLATED HEX NUT.
2. MOUNTING TORQUE NOT TO EXCEED 5 lb-in. [.565 Nm].
3. TUSONIX STANDARD PART NUMBER: 2425-003-X7R0-501Z. TUSONIX RoHS COMPLIANT PART NUMBER: 2425-003-X7R0-501Z LF. CUSTOMER MUST SPECIFY STANDARD OR RoHS PART NUMBER WHEN ORDERING.
4. PART MARKING: STANDARD PART: BLACK INK FOR TRADEMARK AND CAP. CODE. RoHS PART: GREEN INK FOR TRADEMARK AND CAP. CODE.

**SPECIFICATIONS**

|                       |                                   |
|-----------------------|-----------------------------------|
| TUSONIX STYLE:        | 2425-003                          |
| CAP. VALUE:           | 500 pF                            |
| CAP. TOLERANCE:       | + 80 - 20 %                       |
| TEMP. CHARACTERISTIC: | X7R                               |
| RATING:               | 200 VDC @ + 85°C/100 VDC @ +125°C |
| OPERATING RANGE:      | -55°C TO 125°C                    |
| IR MIN. @ 100 VDC:    | 10 G Ω                            |
| DWV VDC:              | 600                               |

|   |                                   |  |   |                           |              |
|---|-----------------------------------|--|---|---------------------------|--------------|
| REVISION RECORD<br>Original Release<br>C.O. 20070731-1-01 | 0                                 | --TOLERANCES--<br>Unless Otherwise Specified | Title<br><b>MINIATURE BUSHING FEED-THRU</b> |                           |              |
|   |                                   |  | DECIMAL ± .031 [0.79]                       | Drawn<br>S.M. 07-31-07    | Scale<br>4 X |
|   |                                   | ANGLES ±                                     | Approved<br>R.L. 07-31-07                   |                           |              |
|   | <b>TUSONIX</b><br>TUCSON, ARIZONA |  | <b>A</b>                                    | <b>2425-003-X7R0-501Z</b> |              |