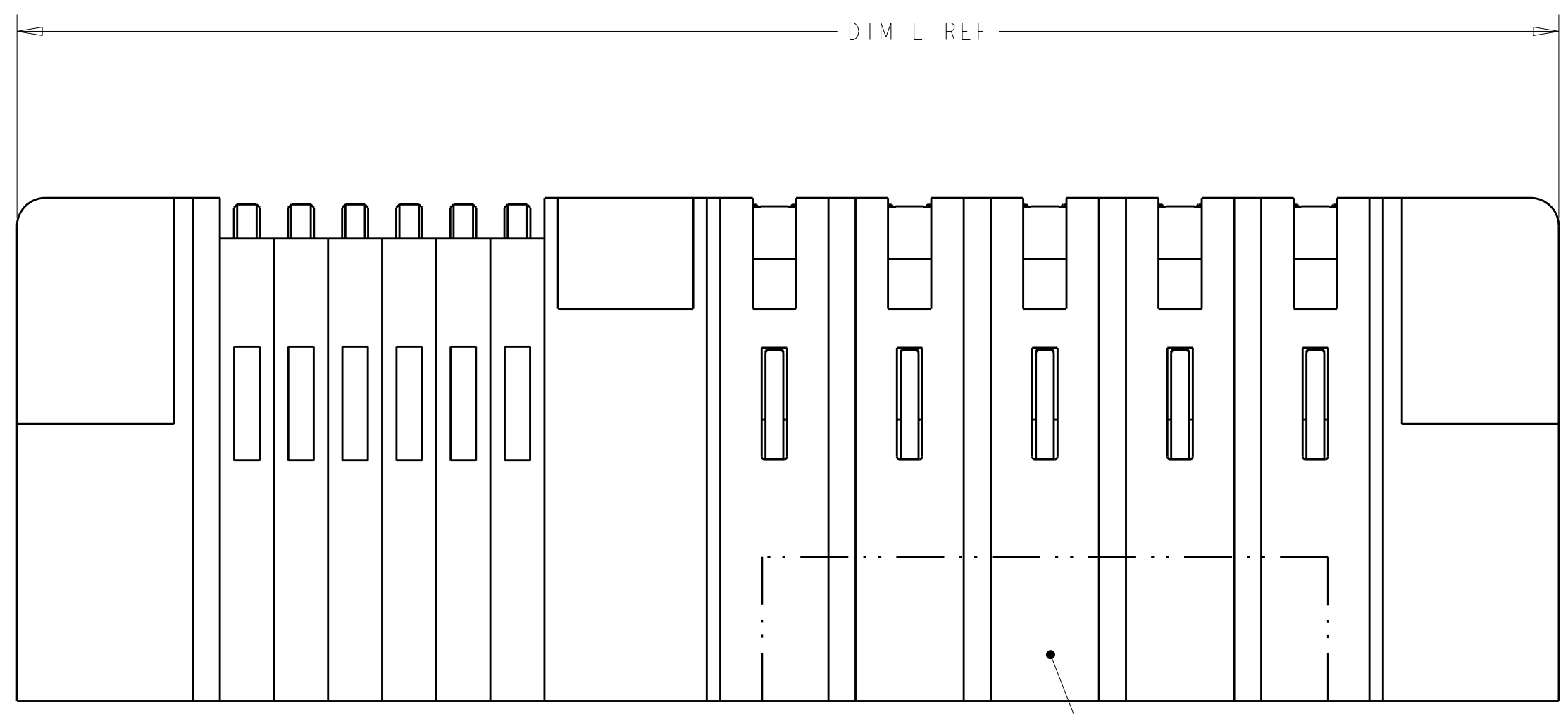
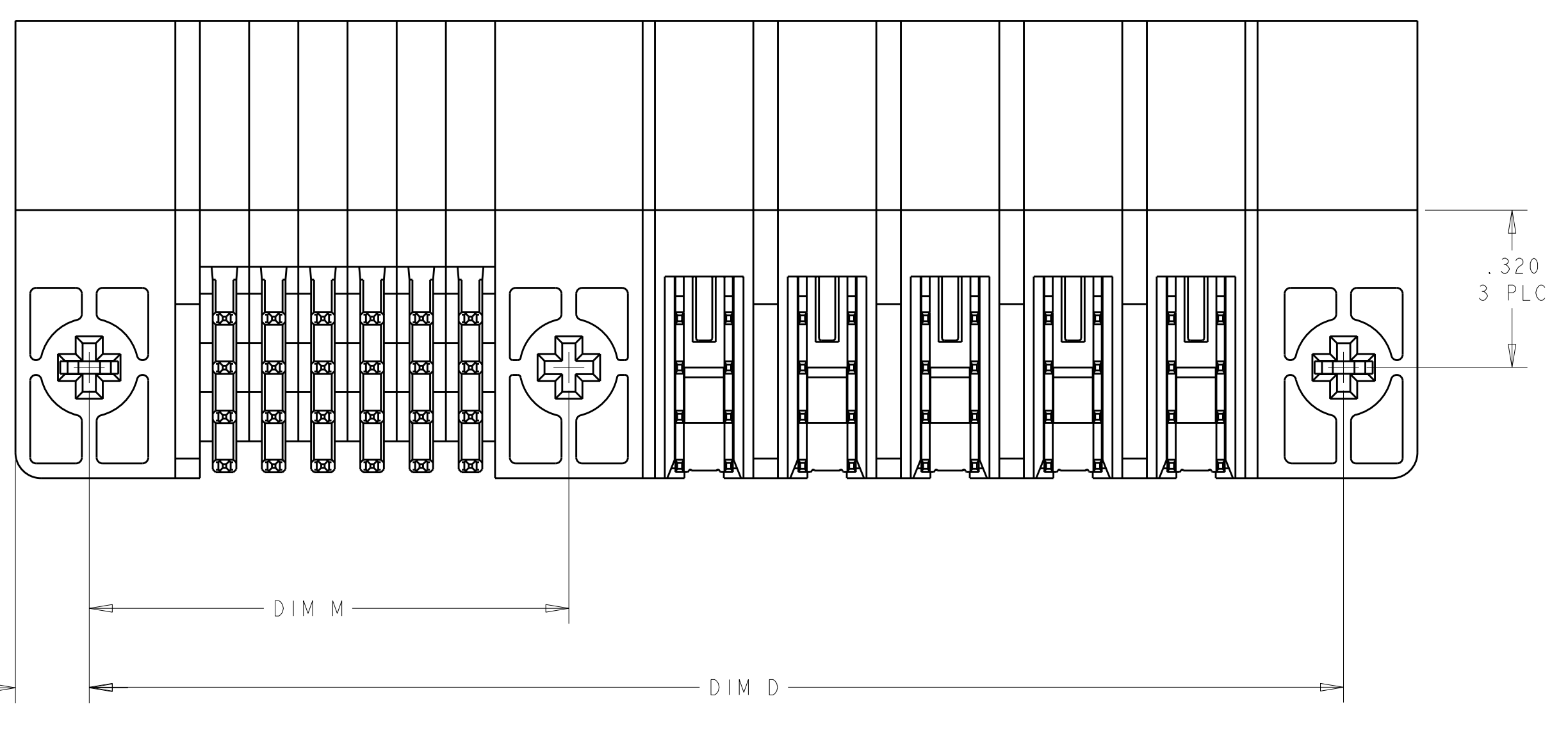
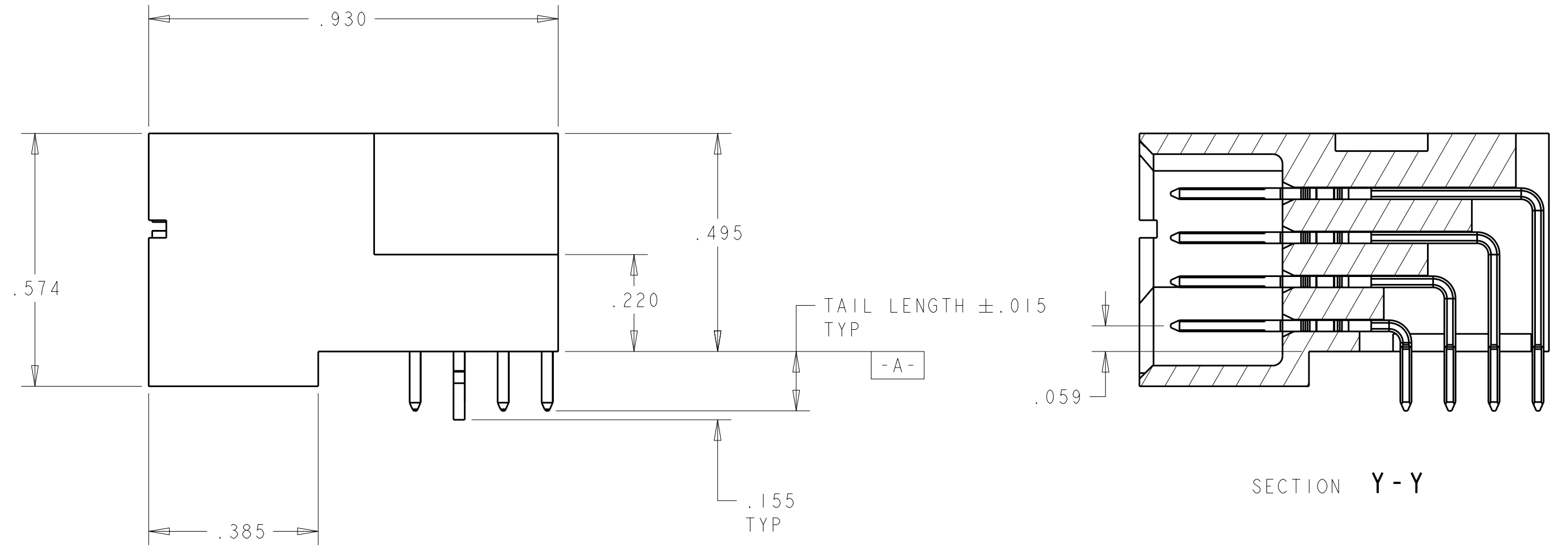
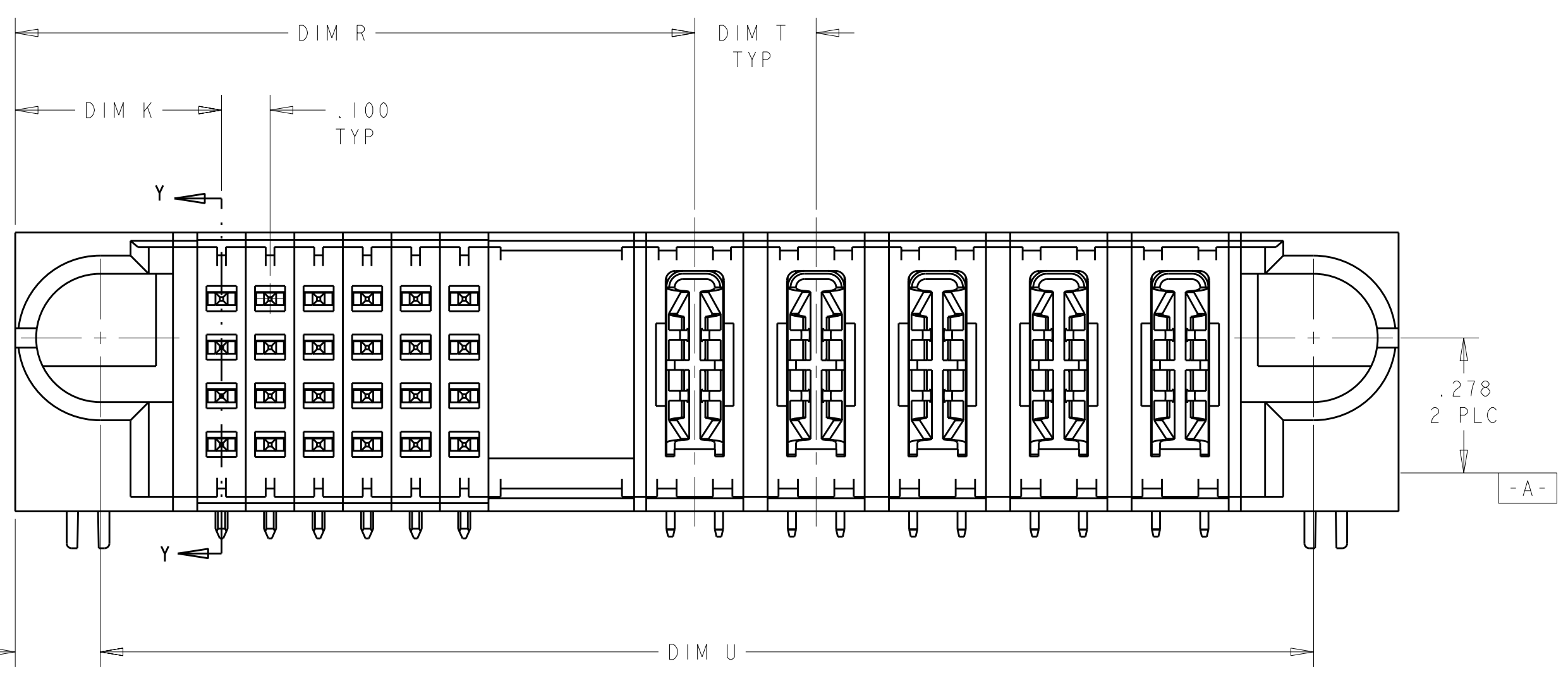


LOC	DIST	REV	DATE	BY	APPD
ES	00				
C3		ADD NEW DASH NUMBER -18,19,20	19MAR2009	OL	SY
C4		REVISED DASH NUMBER -18,20	31MAR2009	OL	SY
C5		ADD HOLD DOWNS FOR DASH NUMBER -18,20	07APR2009	OL	SY
D		REV PER ECR-09-008079	08APR2009	OL	SY



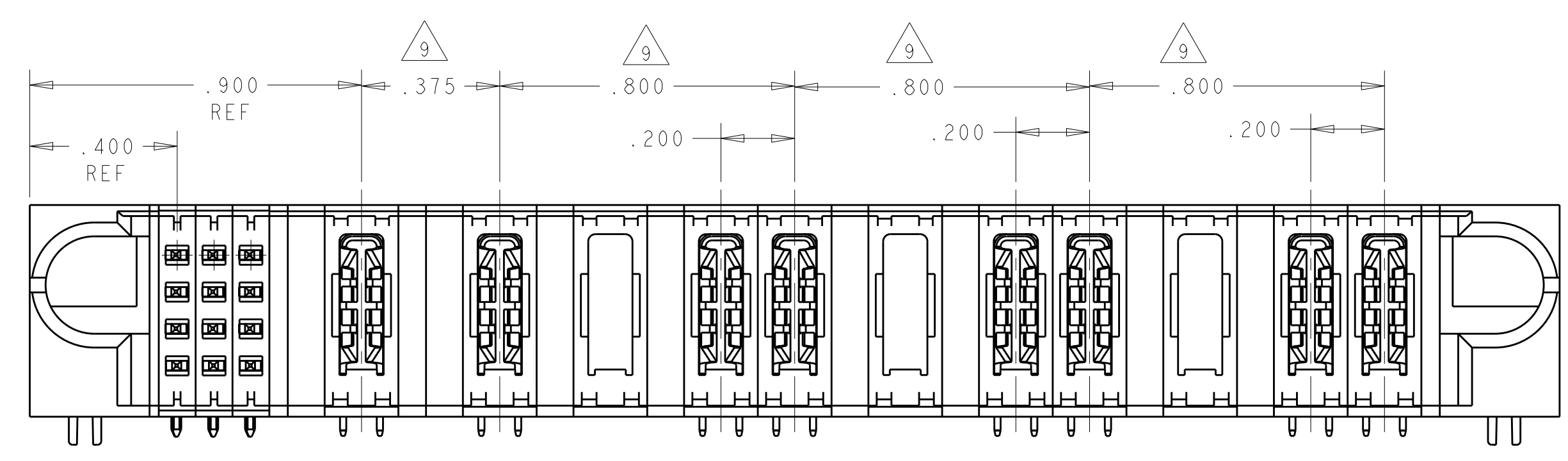
1. CENTER MODULE OPTION AVAILABLE
2. "AMP", PART NUMBER, AND DATECODE TO BE MARKED IN AREA SHOWN.
3. MATERIAL:
 HOUSING - GLASS FILLED HIGH TEMP THERMO PLASTIC, UL94 V-0
 SIGNAL CONTACT - COPPER ALLOY
 POWER CONTACT - HIGH CONDUCTIVITY COPPER ALLOY
4. CONTACT PLATING:
 SIGNAL CONTACTS - .000050 MIN Ni UNDER ALL. .000030 MIN. Au ON CONTACT AREA. .000100 MIN Sn AT PCB INTERFACE.
 POWER CONTACTS - .000050 MIN Ni UNDER ALL. .000030 MIN. Au AT CONTACT AREA. .000100 MIN Sn AT PCB INTERFACE.
5. MECHANICAL CONNECTOR KEEP OUT ZONE.
6. DATUM AND BASIC DIMENSIONS ESTABLISHED BY CUSTOMER.
7. PCB-ALL HOLE DIAMETERS ARE FINISHED HOLE SIZES.
8. PCB- .0453±.0010 DRILLED HOLES PLATED WITH .0003 MIN Sn OVER .001 TO .003 CU PLATING TO ACHIEVE A .040±.003 DIA HOLE
9. VARIABLE DIMENSION, SEE SHEET 2
10. FOR DETAIL DIMENSION ,PLEASE REFER TO TABLE



6.075	.200	-	1.375	6.125	.375	6.425	36S + 24P	2-6450121-0
4.025	10	-	2.125	4.075	.375	4.375	60S + 8P	1-6450121-9
2.925	.200	-	1.025	2.975	.375	3.275	24S + 10P	1-6450121-8
2.400	.250	-	1.050	2.450	.375	2.750	24S + 6P	1-6450121-6
1.700	.250	-	.850	1.750	.375	2.050	16S+4P	1-6450121-5
3.325	-	-	-	3.375	.400	3.675	120S	1-6450121-3
4.400	.250	-	1.050	4.450	.375	4.750	24S + 14P	1-6450121-2
1.900	.250	-	1.050	1.950	.375	2.250	24S + 4P	1-6450121-1
1.800	.250	-	.950	1.850	.375	2.150	20S + 4P	6450121-4
1.850	.300	-	1.125	1.900	.375	2.200	24S + 3ACP	6450121-3
2.400	.250	-	1.050	2.450	.375	2.750	24S + 6P	6450121-2
3.800	9	-	.900	3.850	.400	4.150	12S + 11P	6450121-1
DIM U	DIM T	DIM M	DIM R	DIM D	DIM K	DIM L	DESCRIPTION	PART NUMBER

DIMENSIONS: INCHES 		TOLERANCES UNLESS OTHERWISE SPECIFIED: 9 PLC ±.01 5 PLC ±.005 4 PLC ±.0020 ANGLES ±.0020		DWN: R. GRZYBOWSKI CHK: M. PERCHERKE APVD: M. PERCHERKE		Tyco Electronics Corporation Shanghai, P.R.China, 200233	
MATERIAL: 3		FINISH: 4		PRODUCT SPEC: 108-1973 APPLICATION SPEC: 114-13038		NAME: RIGHT ANGLE HEADER ASSY W/GUIDES MULTI-BEAM XL SIZE: A1 CAGE CODE: 00779 DRAWING NO: C-6450121	
CUSTOMER DRAWING				SCALE: N/A		SHEET 1 OF 8 REV D	

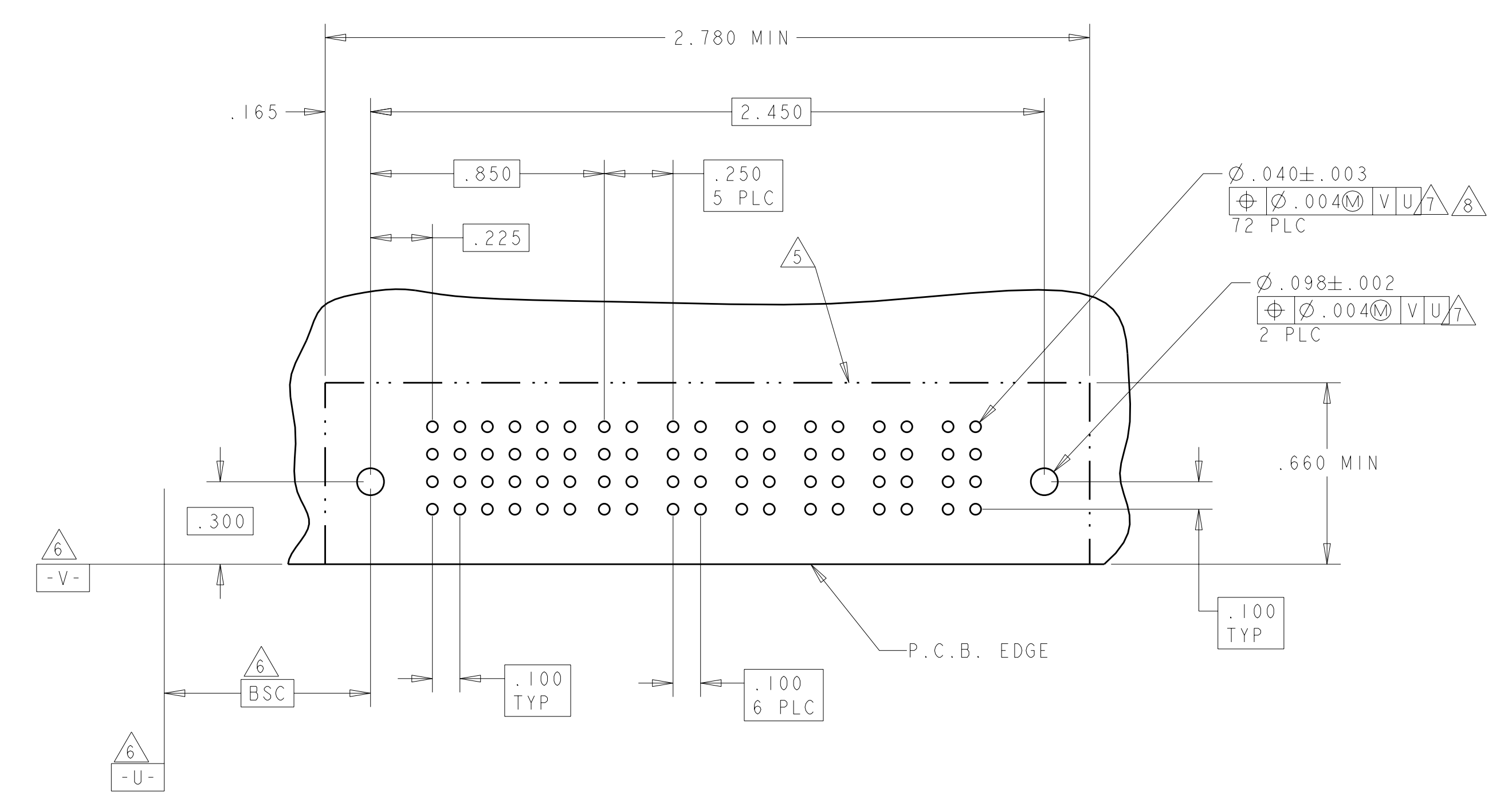
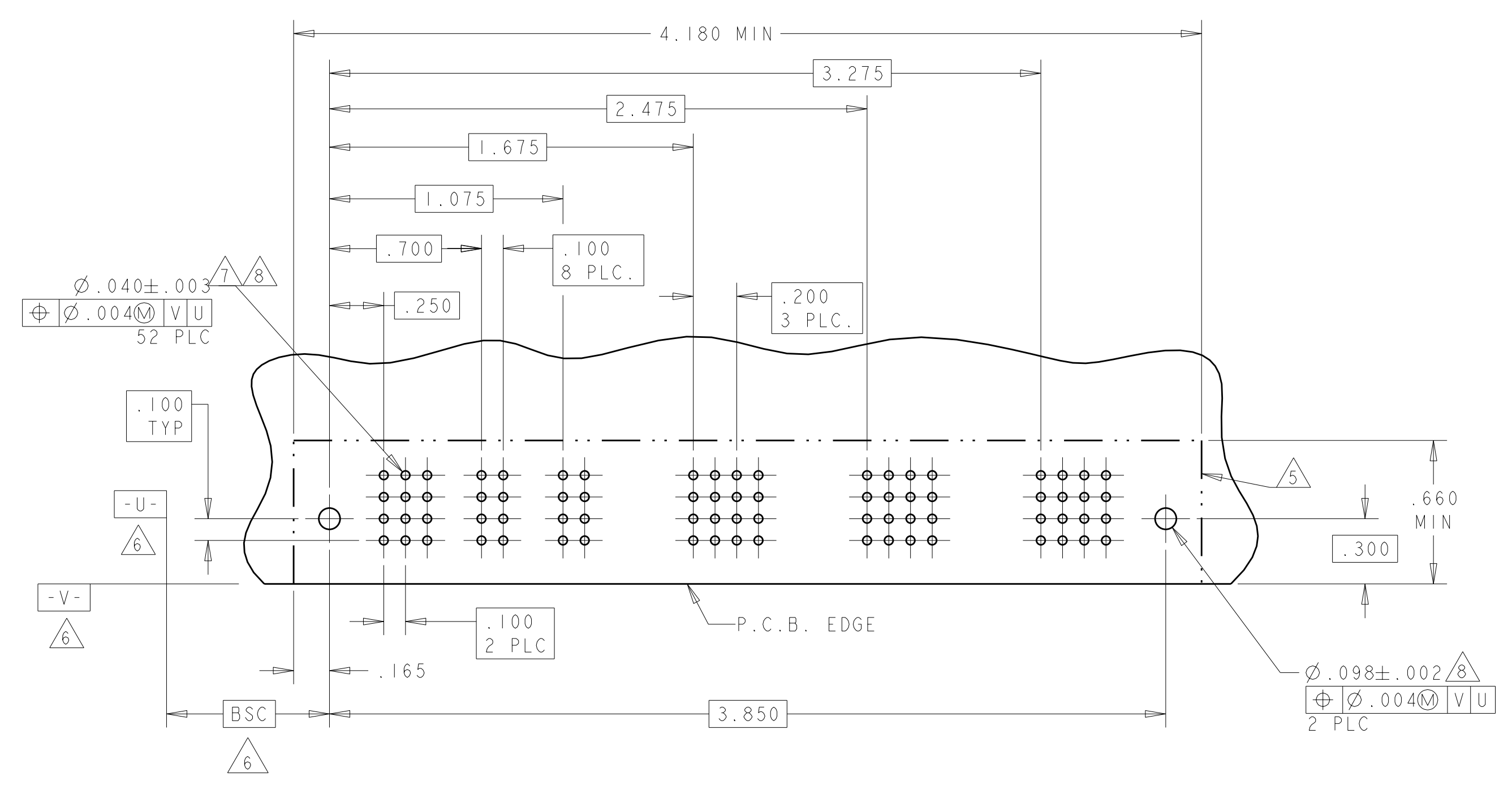
LOC	DIST	REV	DESCRIPTION	DATE	OWN	APVD
ES	00		SEE SHEET 1			



SCALE 3:1

PART NUMBER	ROWS	SIGNAL			POWER										
		1	2	3	P1	P2	P3	P4	P5	P6	P7	P8	P9	P10	P11
6450121-1	D C B A	J	J	J	PM	PM		PMPM			PMPM			PMPM	
		K	K	K											
		N	N	N											
		S	S	S											
12S + 11P															

PART NUMBER	ROWS	SIGNAL						POWER					
		1	2	3	4	5	6	P1	P2	P3	P4	P5	P6
6450121-2	D C B A	J	J	J	J	J	J	PM	PM	PM	PM	PM	PM
		K	K	K	K	K	K						
		N	N	N	N	N	N						
		S	S	S	S	S	S						
24S + 6P													



Z	STD	.090	D
Y	STD	.090	C
R	STD	.090	B
O	STD	.090	A
E	MLBF	.135	D
F	MLBF	.135	C
G	MLBF	.135	B
H	MLBF	.135	A
J	STD	.135	D
K	STD	.135	C
N	STD	.135	B
S	STD	.135	A
CODE	MATING SEQUENCE	TAIL LENGTH	ROW
SIGNAL CONTACT			

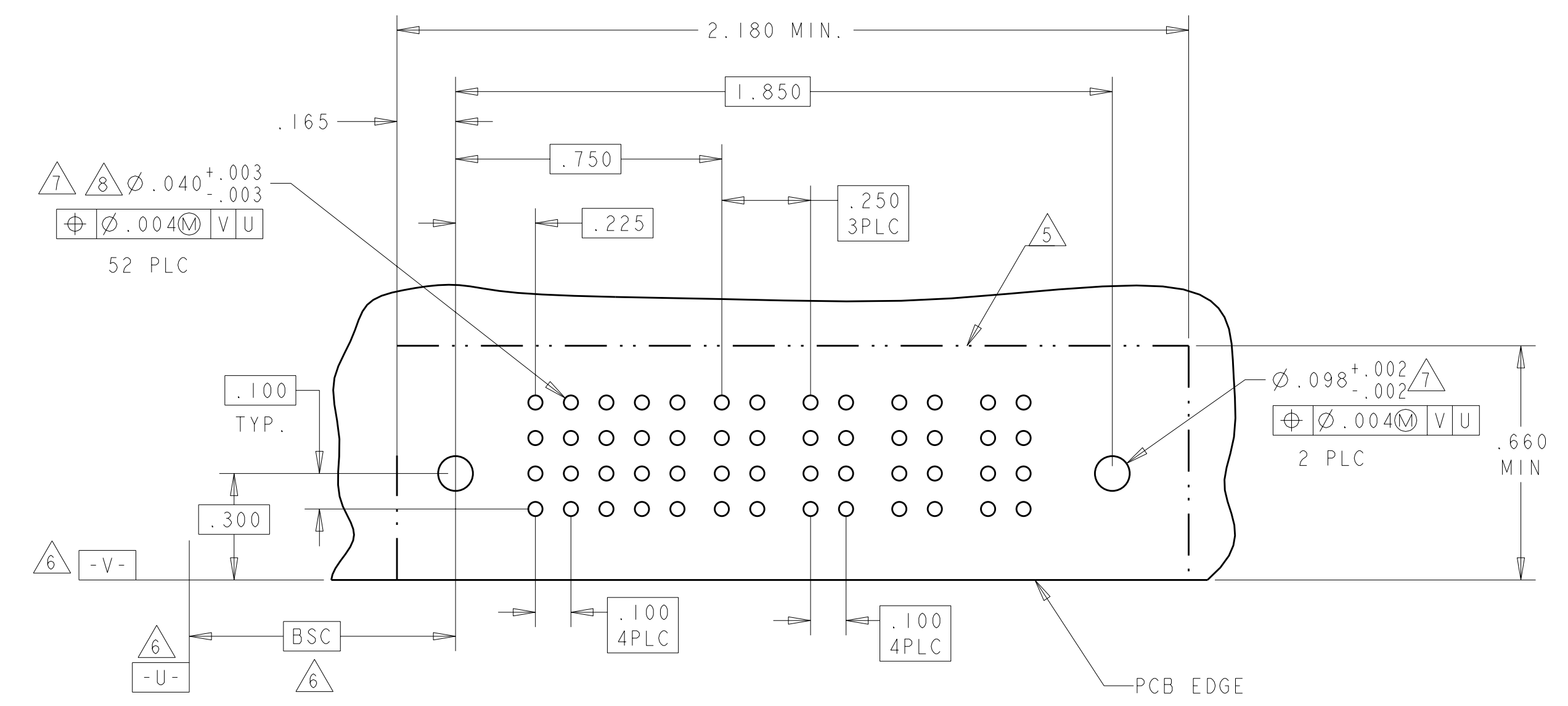
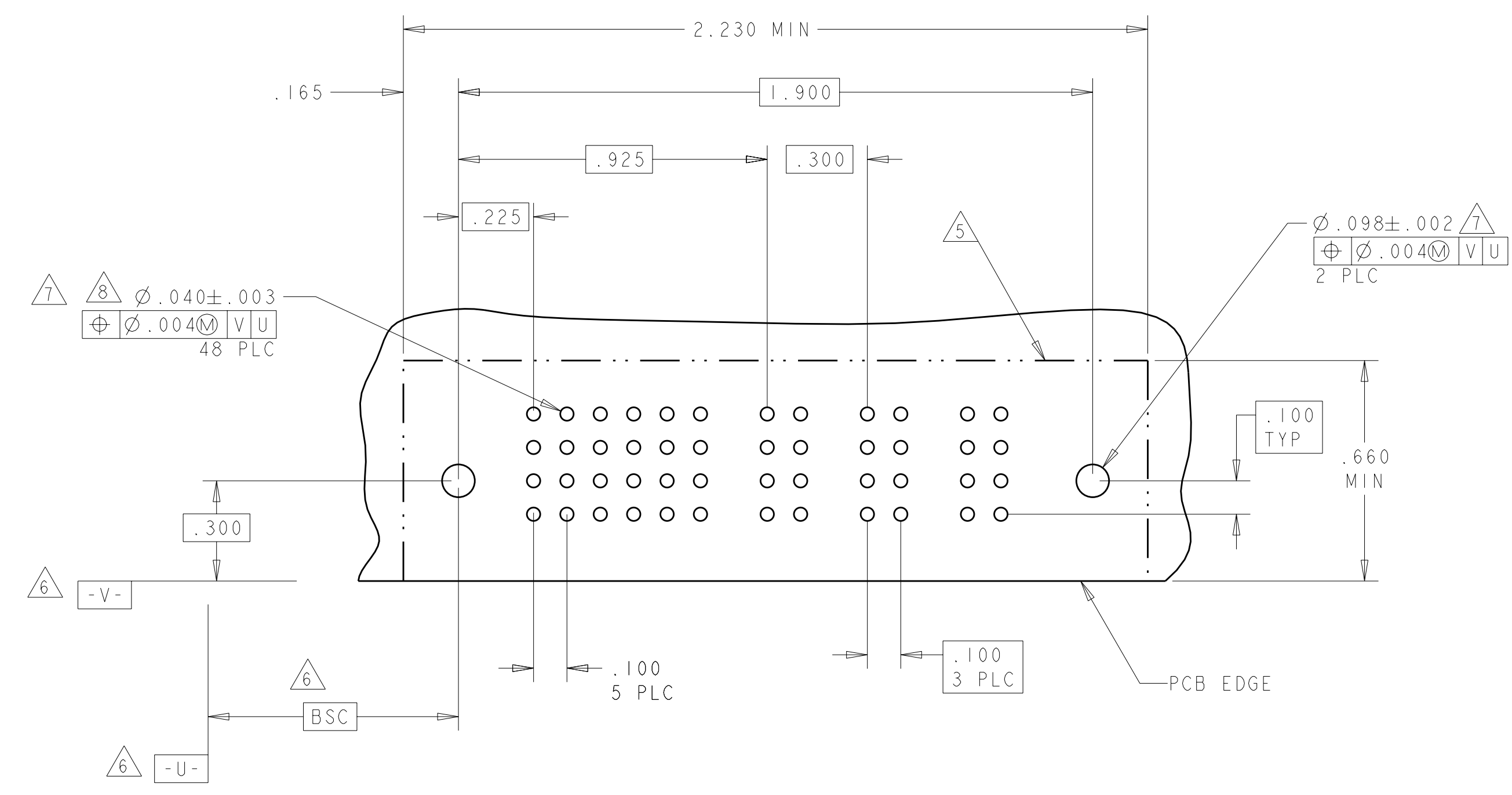
PA	.090
PM	.135
CODE	TAIL LENGTH
POWER CONTACT	

<small>THIS DRAWING IS UNPUBLISHED. RELEASED FOR PUBLICATION. ALL RIGHTS RESERVED.</small>		DWN: R. GRZYBOWSKI 02FEB05 CHK: M. PERCHERKE 02FEB05 APVD: M. PERCHERKE	Tyco Electronics Corporation Shanghai, P.R.China, 200233
DIMENSIONS: INCHES 		TOLERANCES UNLESS OTHERWISE SPECIFIED: 9 PLC ±. 8 PLC ±.01 5 PLC ±.005 4 PLC ±.0020 ANGLES ±.0020	NAME: RIGHT ANGLE HEADER ASSY W/GUIDES MULTI-BEAM XL PRODUCT SPEC: 108-1973 APPLICATION SPEC: 114-13038 WEIGHT: - FINISH: -
MATERIAL: - FINISH: -		CUSTOMER DRAWING: A1100779 SCALE: N/A SHEET: 2 OF 8 REV: D	SIZE: CAGE CODE DRAWING NO. RESTRICTED TO: A1100779 C-6450121

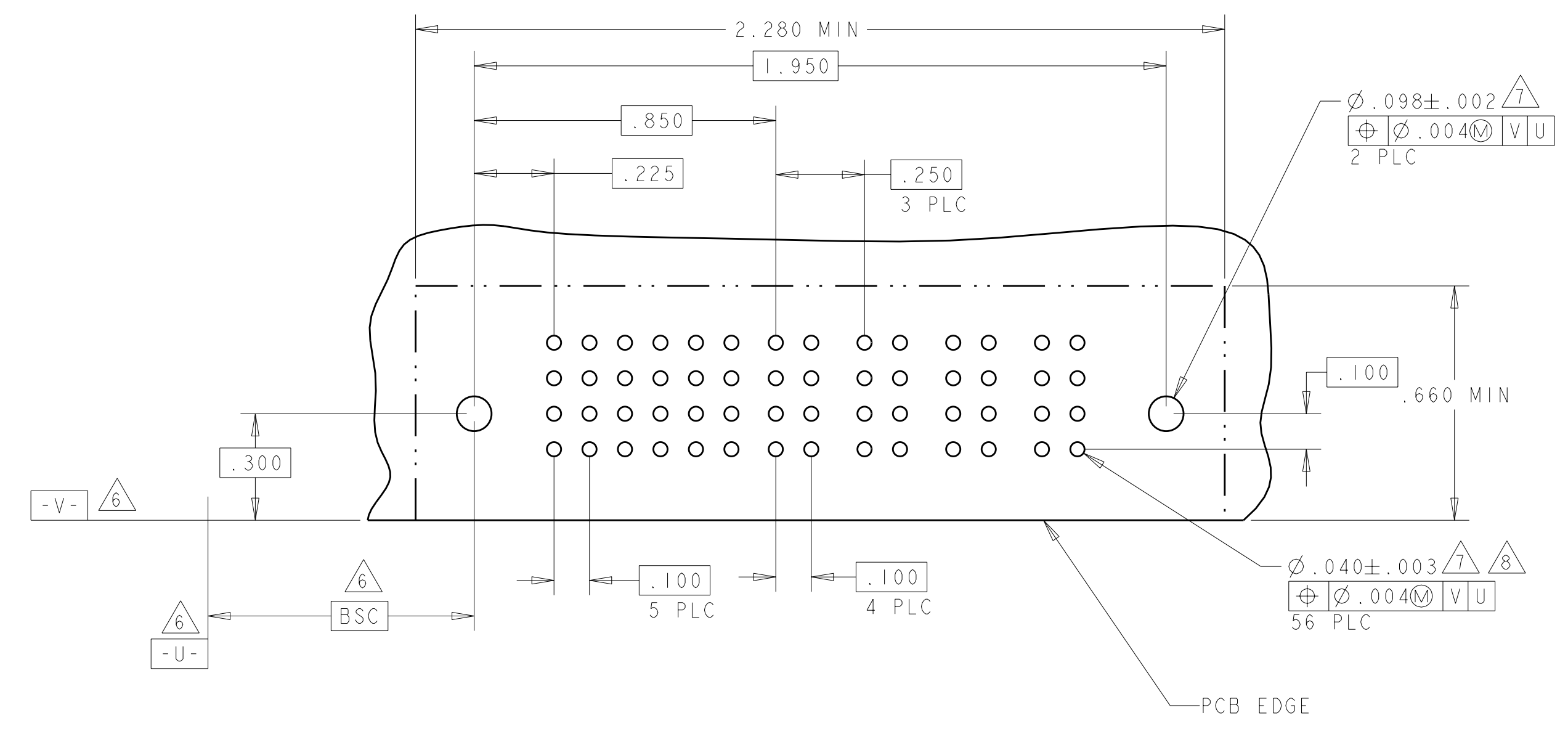
LOC	DIST	REV	DATE	BY	APPD
ES	00				
REVISIONS			DESCRIPTION	DATE	BY
			SEE SHEET 1		

PART NUMBER	ROWS	SIGNAL						POWER		
		1	2	3	4	5	6	P1	P2	P3
6450121-3	D	J	J	J	J	J	J	PM	PM	PM
	C	K	K	K	K	K	K			
	B	N	N	N	N	N	N			
	A	S	S	S	S	S	S			
		HD							HD	
24S + 3ACP										

PART NUMBER	ROWS	SIGNAL					POWER			
		1	2	3	4	5	P1	P2	P3	P4
6450121-4	D	J	J	J	J	J	PM	PM	PM	PM
	C	K	K	K	K	K				
	B	N	N	N	N	N				
	A	S	S	S	S	S				
		HD						HD		
20S + 4P										



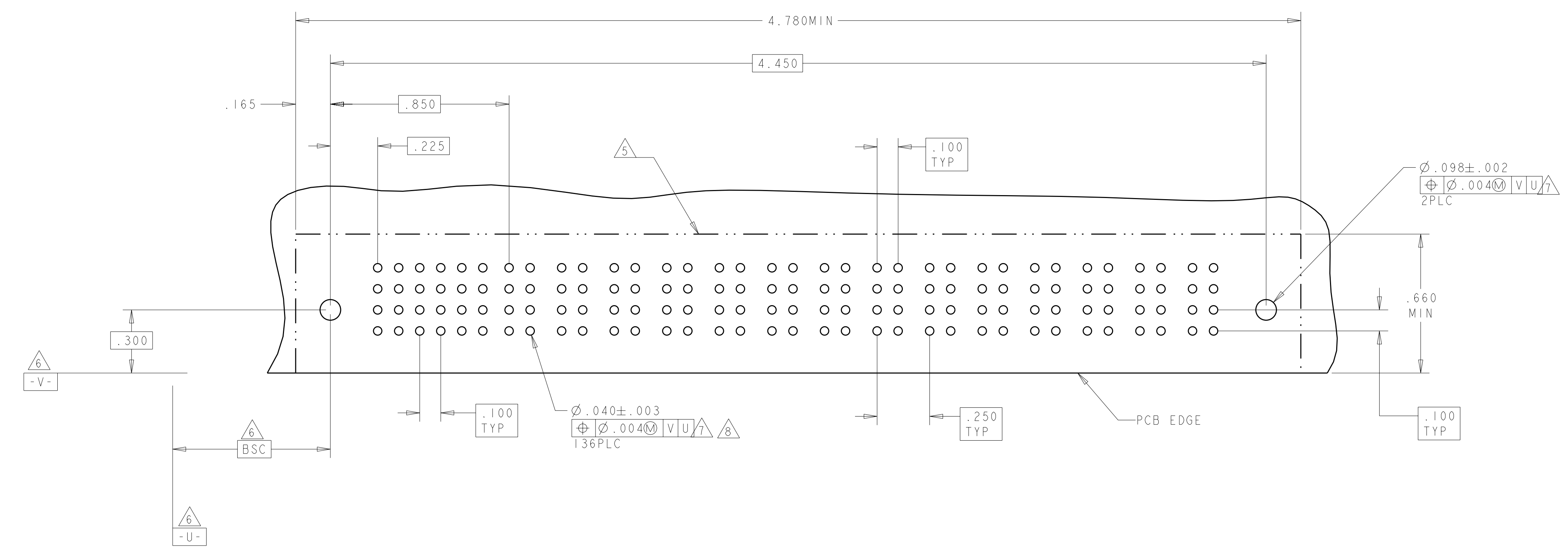
PART NUMBER	ROWS	SIGNAL						POWER			
		1	2	3	4	5	6	P1	P2	P3	P4
1-6450121-1	D	J	J	J	J	J	J	PM	PM	PM	PM
	C	K	K	K	K	K	K				
	B	N	N	N	N	N	N				
	A	S	S	S	S	S	S				
		HD							HD		
24S + 4P											



DIMENSIONS: INCHES 		TOLERANCES UNLESS OTHERWISE SPECIFIED: 9 PLC ± 8 PLC ±.01 5 PLC ±.005 4 PLC ±.0020 ANGLES ±.020° FINISH		DWN: R. GRZYBOWSKI 02FEB05 CHK: M. PERCHERKE 02FEB05 APVD: M. PERCHERKE NAME: M. PERCHERKE PRODUCT SPEC: 108-1973 APPLICATION SPEC: 114-13038 WEIGHT: 114-13038 CUSTOMER DRAWING		Tyco Electronics Corporation Shanghai, P.R.China, 200233 RIGHT ANGLE HEADER ASSY W/GUIDES MULTI-BEAM XL SIZE: A11 00779 C=6450121 SCALE: N/A SHEET 3 OF 8 REV D	
---------------------------	--	---	--	---	--	--	--

LOC	DIST	REVISIONS			
ES	00	REV	DATE	DWN	APVD
-	-	SEE SHEET 1	-	-	-

PART NUMBER	ROWS	SIGNAL						POWER														
		1	2	3	4	5	6	P1	P2	P3	P4	P5	P6	P7	P8	P9	P10	P11	P12	P13	P14	
1-6450121-2	D	J	J	J	J	J	J	PM	PM	PM	PM	PM	PM	PM	PM	PM	PM	PM	PM	PM	PM	PM
	C	K	K	K	K	K	K	PM	PM	PM	PM	PM	PM	PM	PM	PM	PM	PM	PM	PM	PM	PM
	B	N	N	N	N	N	N	PM	PM	PM	PM	PM	PM	PM	PM	PM	PM	PM	PM	PM	PM	PM
	A	S	S	S	S	S	S	PM	PM	PM	PM	PM	PM	PM	PM	PM	PM	PM	PM	PM	PM	PM
24S + 14P																						



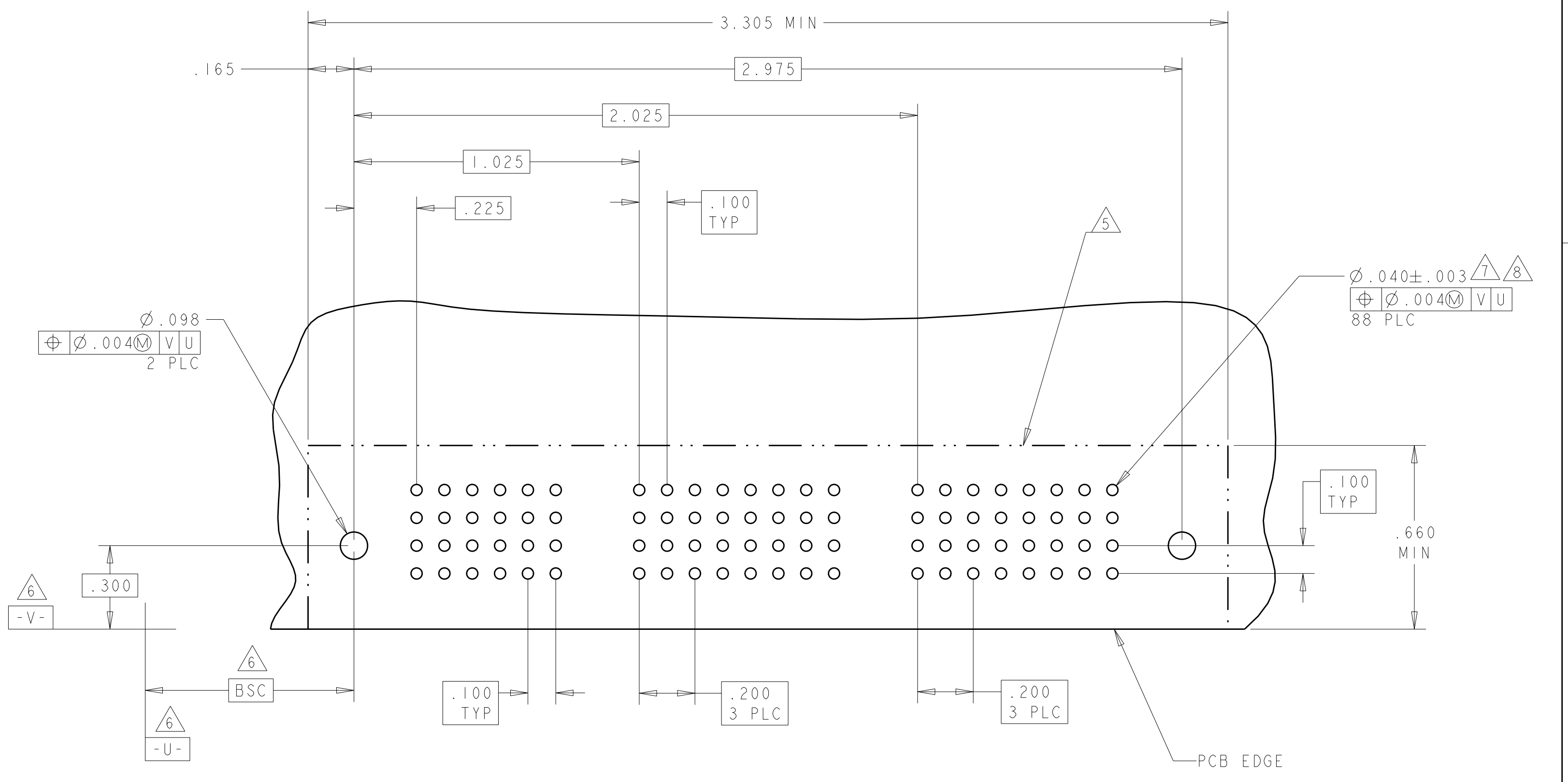
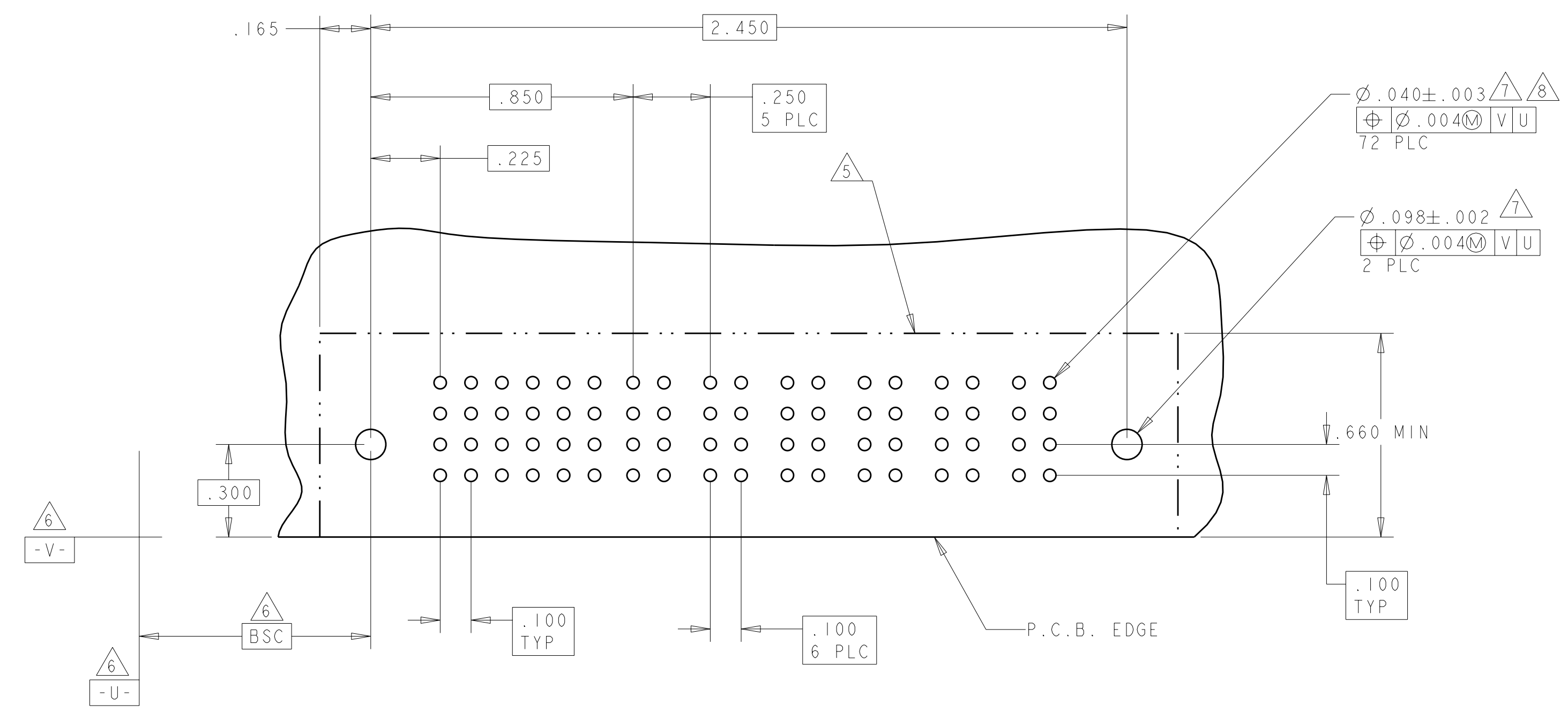
DIMENSIONS: INCHES 		TOLERANCES UNLESS OTHERWISE SPECIFIED: 9 PLC ±. 1 PLC ±.01 2 PLC ±.01 3 PLC ±.005 4 PLC ±.0020 ANGLES ±.2°		DWN R. GRZYBOWSKI 02FEB05 CHK M. PERCHERKE 02FEB05 APVD M. PERCHERKE NAME PRODUCT SPEC 108-1973 APPLICATION SPEC 114-13038 WEIGHT CUSTOMER DRAWING		Tyco Electronics Corporation Shanghai, P.R.China, 200233 NAME RIGHT ANGLE HEADER ASSY W/GUIDES MULTI-BEAM XL SIZE CAGE CODE DRAWING NO RESTRICTED TO A 00779 C-6450121 SCALE N/A SHEET 4 OF 8 REV D	
---------------------------	--	--	--	---	--	--	--

LOC	DIST	REV	DESCRIPTION	DATE	DWN	APVD
ES	00		SEE SHEET 1			

PART NUMBER	ROWS	SIGNAL						POWER					
		1	2	3	4	5	6	P1	P2	P3	P4	P5	P6
1-6450121-6	D C B A	J	J	J	J	J	J	PM	PM	PM	PM	PM	PM
		K	K	K	K	K	K						
		N	N	N	N	N	G						
		S	S	S	S	S	S						

PART NUMBER	ROWS	SIGNAL						POWER										
		1	2	3	4	5	6	P1	P2	P3	P4	P5	P6	P7	P8	P9	P10	
1-6450121-8	D C B A	J	J	J	J	J	J											
		K	K	K	K	K	K											
		N	N	N	N	N	N											
		S	S	S	S	S	S											

NO CONTACTS LOADED



DIMENSIONS: INCHES 		TOLERANCES UNLESS OTHERWISE SPECIFIED: 9 PLC ±. 1 PLC ±.01 2 PLC ±.01 3 PLC ±.005 4 PLC ±.0020 ANGLES ±.2° FINISH -		DWN R. GRZYBOWSKI 02FEB05 CHK M. PERCHERKE 02FEB05 APVD M. PERCHERKE PRODUCT SPEC 108-1973 APPLICATION SPEC 114-13038 WEIGHT - CUSTOMER DRAWING		Tyco Electronics Corporation Shanghai, P.R.China, 200233 NAME: RIGHT ANGLE HEADER ASSY W/GUIDES MULTI-BEAM XL SIZE: A1 CAGE CODE: 00779 DRAWING NO: 6450121 SCALE: N/A SHEET: 6 OF 8 REV: D	
---------------------------	--	--	--	---	--	---	--

