

PLEASE CHECK WWW.MOLEX.COM FOR LATEST PART INFORMATION

Part Number: [0495590400](#)
Status: **Active**
Description: 5.00mm (.197") Pitch, MP-Lock™ Housing, 4 Circuits, Natural, UL94V-0

Documents:

[3D Model](#) [Product Specification PS-49559-001 \(PDF\)](#)
[Drawing \(PDF\)](#) [RoHS Certificate of Compliance \(PDF\)](#)
[Packaging Specification \(PDF\)](#)

Agency Certification

UL E29179

General

Product Family Crimp Housings
 Series [49559](#)
 Product Name MP-Lock™

Physical

Breakaway No
 Circuits (maximum) 4
 Color - Resin Natural
 Flammability 94V-0
 Gender Female
 Glow-Wire Compliant No
 Keying to Mating Part None
 Lock to Mating Part Yes
 Material - Resin Polyester Alloy
 Number of Rows 1
 Packaging Type Bag
 Panel Mount No
 Pitch - Mating Interface (in) 0.197 In
 Pitch - Mating Interface (mm) 5.00 mm
 Pitch - Term. Interface (in) 0.197 In
 Pitch - Term. Interface (mm) 5.00 mm
 Polarized to Mating Part Yes
 Ports 1
 Stackable No
 Temperature Range - Operating N/A

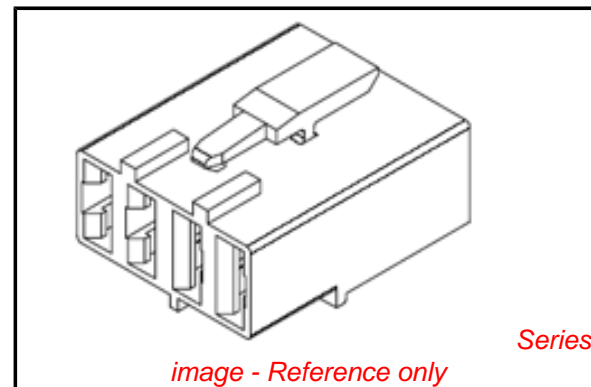
Electrical

Current - Maximum per Contact 12A, 15A, 7A

Material Info

Reference - Drawing Numbers

[Packaging Specification](#) PK-49559-001
[Product Specification](#) PS-49559-001
[Sales Drawing](#) SD-49559-001



EU RoHS

ELV and RoHS Compliant
REACH SVHC
 Not Reviewed
Halogen-Free Status
Not Reviewed

China RoHS



Need more information on product environmental compliance?

Email productcompliance@molex.com
 For a multiple part number RoHS Certificate of Compliance, [click here](#)

Please visit the [Contact Us](#) section for any non-product compliance questions.

Search Parts in this Series

[49559Series](#)

Use With

[35725 MP-Lock™ Crimp Terminals](#)

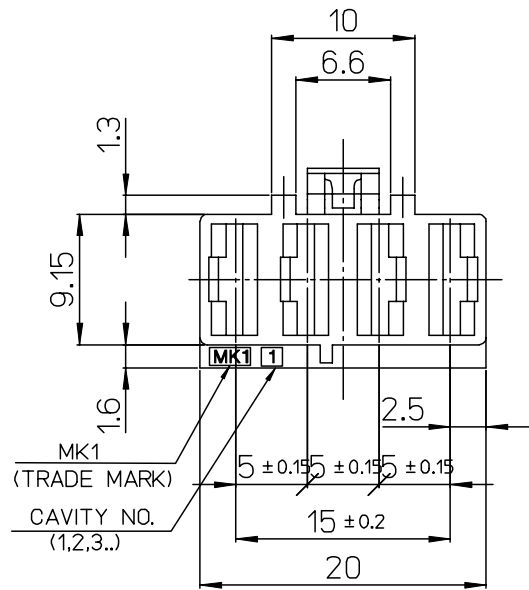
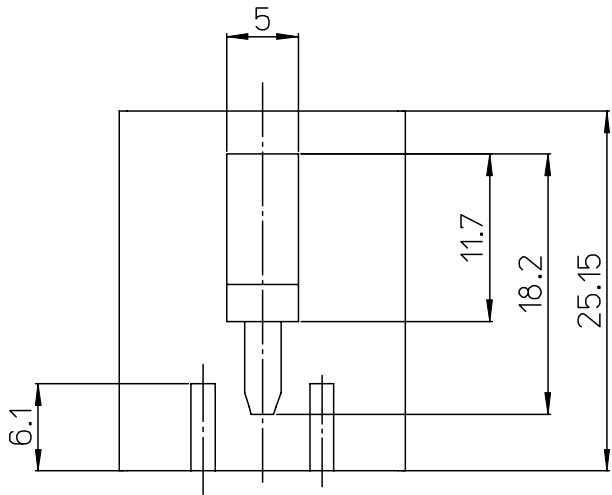
DWG. NO.
SD-49559-001

SIMILAR ITEM

PROJECT NO.

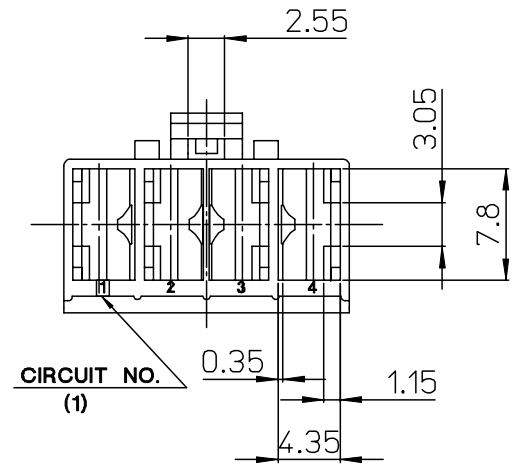
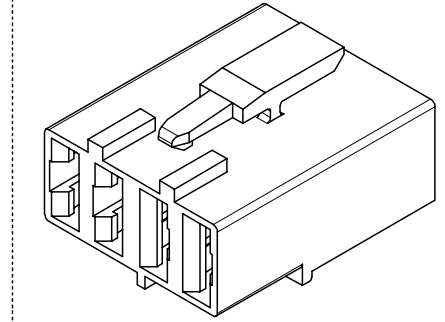
B

DO NOT SCALE DRAWING
DIMENSION IN METRIC



NOTES

1. MATERIAL : PBT/PC (UL94V-0, UNFILLED G/F)
2. FINISH : NATURAL COLOR
3. APPLICABLE TERMINAL : 35725-3410



NEW RELEASED ECN NO. KOR2007-0153 DRWN: J.B.JIN 07/05/30 CHK: W.Y.YANG APPR: E.HJUNG	DESCRIPTION	QUALITY SYMBOLS	GENERAL TOLERANCES: (UNLESS SPECIFIED)		SCALE 5:1	DESIGN UNITS <input checked="" type="checkbox"/> mm <input type="checkbox"/> INCH	<input checked="" type="checkbox"/> THIRD ANGLE <input type="checkbox"/> PROJECTION	DIMENSIONS: <input type="checkbox"/> mm <input type="checkbox"/> INCH <input checked="" type="checkbox"/> mm ONLY		SHT	REV
		MAJOR ▲ = CRITICAL ▽ = C =	4 PLACES ±0.1	±	3 PLACES ±0.1	±	2 PLACES ±0.30	±	1 PLACE ±0.30	±	REVISE ON CAD ONLY
A		REV	DRAFT WHERE APPLICABLE MUST REMAIN WITHIN DIMENSIONS		DRAWN BY & DATE J.B.JIN 07/02/05		TITLE: .250 HOUSING-4P (5.0mm PITCH, FASTON TYPE)		MOLEX INCORPORATED		
			ANGULAR: ± °		CAD FILENAME S495590400AA_MI	MATERIAL NO. 495590400	DRAWING NO. SD-49559-001	SHEET NO. 1 OF 1		SIZE B	

KOREA

MX-A3