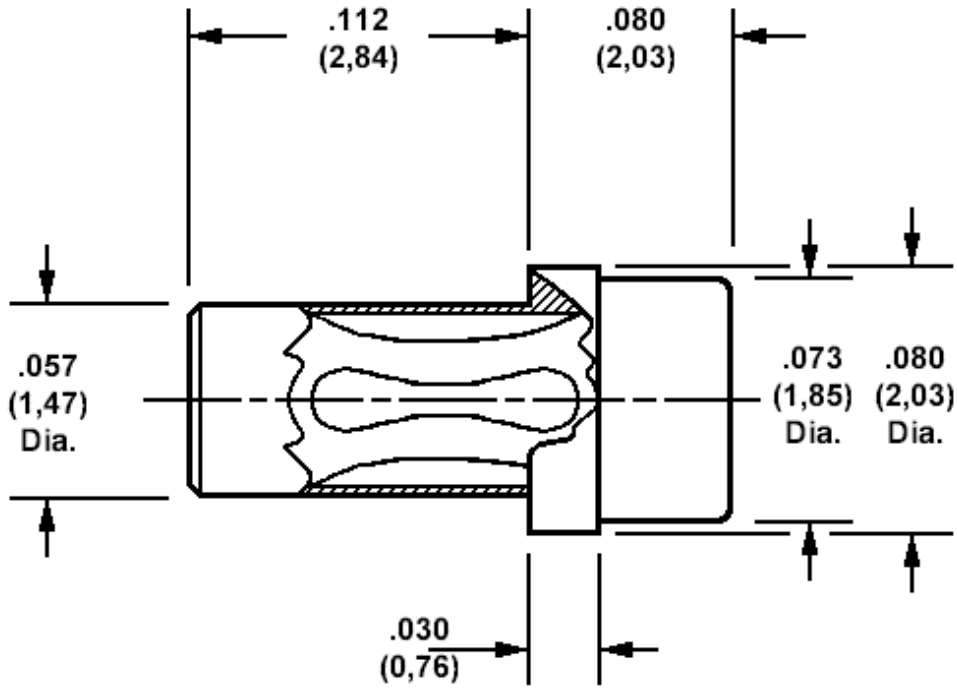


450-3230 Solder mount socket, for .025 (0,64) diameter pins

Recommended mounting hole .062 (1,57) ±.002 (0,05)



Min hole depth .150 (3,81)

How to order code

450-3230-01-XX-00

Basic Part No XX = Finish

MATERIALS				
Component	Material	Finish(-03)	Finish(-04)	Finish(-06)
Body	Brass	Gold over Nickel	Tin	Tin
Spring	Beryllium copper	Gold over Nickel	Tin	Gold over Nickel