

PA01 • PA73

FEATURES

- LOW COST, ECONOMY MODEL — PA01
- SECOND SOURCEABLE — PA73
- HIGH OUTPUT CURRENT — Up to $\pm 5A$ PEAK
- EXCELLENT LINEARITY — PA01
- HIGH SUPPLY VOLTAGE — Up to $\pm 30V$
- ISOLATED CASE — 300V



APPLICATIONS

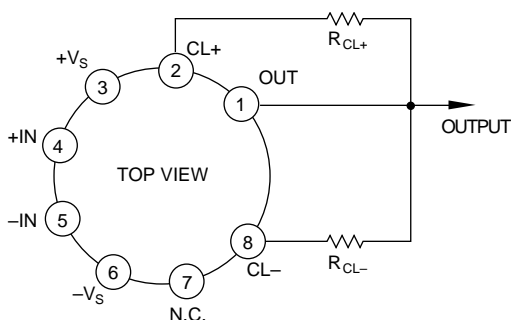
- MOTOR, VALVE AND ACTUATOR CONTROL
- MAGNETIC DEFLECTION CIRCUITS UP TO 4A
- POWER TRANSDUCERS UP TO 20kHz
- TEMPERATURE CONTROL UP TO 180W
- PROGRAMMABLE POWER SUPPLIES UP TO 48V
- AUDIO AMPLIFIERS UP TO 50W RMS

DESCRIPTION

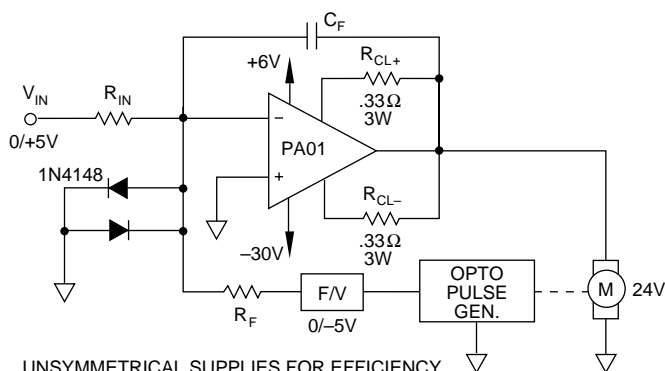
The PA01 and PA73 are high voltage, high output current operational amplifiers designed to drive resistive, inductive and capacitive loads. For optimum linearity, the PA01 has a class A/B output stage. The PA73 has a simple class C output stage (see Note 1) to reduce cost for motor control and other applications where crossover distortion is not critical and to provide interchangeability with type 3573 amplifiers. The safe operating area (SOA) can be observed for all operating conditions by selection of user programmable current limit resistors. These amplifiers are internally compensated for all gain settings. For continuous operation under load, a heatsink of proper rating is recommended.

This hybrid integrated circuit utilizes thick film (cermet) resistors, ceramic capacitors and semiconductor chips to maximize reliability, minimize size and give top performance. Ultrasonically bonded aluminum wires provide reliable interconnections at all operating temperatures. The 8-pin TO-3 package is hermetically sealed and electrically isolated. The use of compressible thermal washers and/or improper mounting torque will void the product warranty. Please see "General Operating Considerations".

EXTERNAL CONNECTIONS



TYPICAL APPLICATION

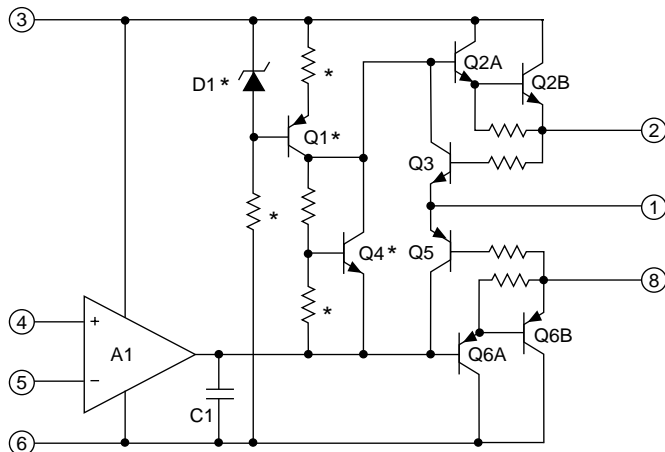


UNSYMMETRICAL SUPPLIES FOR EFFICIENCY

Unidirectional Optical Speed Control

The pulse output of a non-contact optical sensor drives a voltage-to-frequency converter which generates feedback for the op amp. With the loop closed in this manner, the op amp corrects for any variations in the speed due to changing load. Because of operation in only one direction, an unsymmetrical supply is used to maximize efficiency of both power op amp and power supply. High speed diodes at the input protect the op amp from commutator noise which may be generated by the motor.

EQUIVALENT SCHEMATIC



NOTE 1: * Indicates not used in PA73. Open base of Q2A connected to output of A1.

PA01 • PA73

ABSOLUTE MAXIMUM RATINGS SPECIFICATIONS

ABSOLUTE MAXIMUM RATINGS	PA01	PA73
SUPPLY VOLTAGE, +V _S to -V _S	60V	68V
OUTPUT CURRENT, within SOA	5A	5A
POWER DISSIPATION, internal	67W	67W
INPUT VOLTAGE, differential	±V _S -3V	±V _S -3V
INPUT VOLTAGE, common-mode	±V _S	±V _S
TEMPERATURE, junction ¹	200°C	200°C
TEMPERATURE, pin solder -10s	300°C	300°C
TEMPERATURE RANGE, storage	-65 to +150°C	-65 to +150°C
OPERATING TEMPERATURE RANGE, case	-25 to +85°C	-25 to +85°C

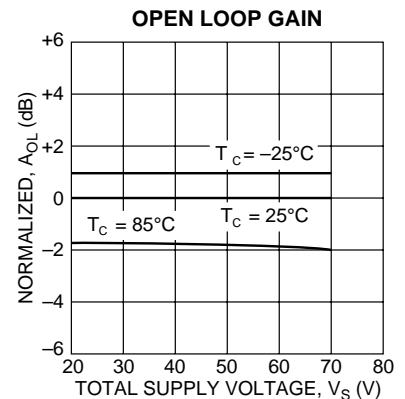
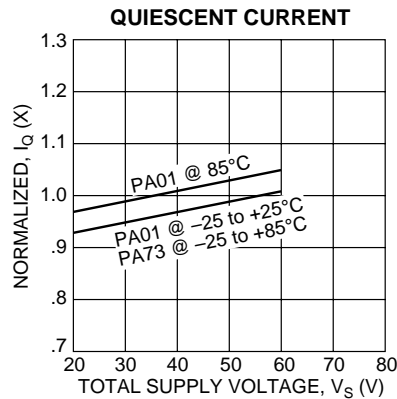
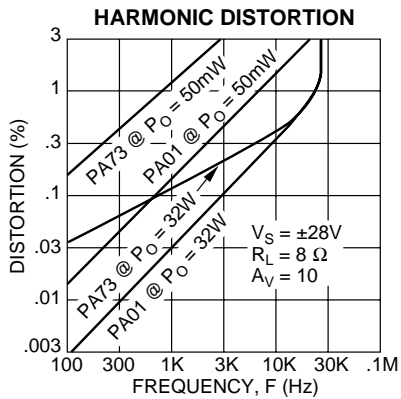
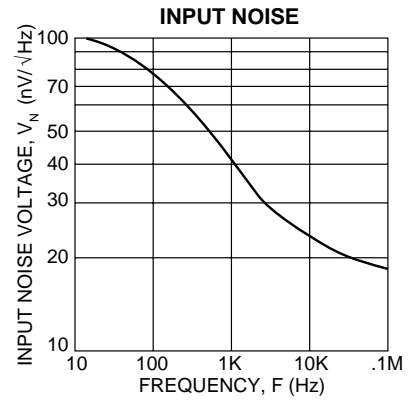
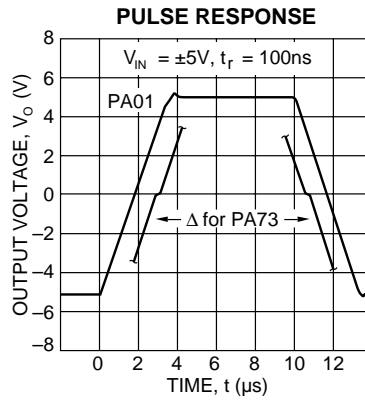
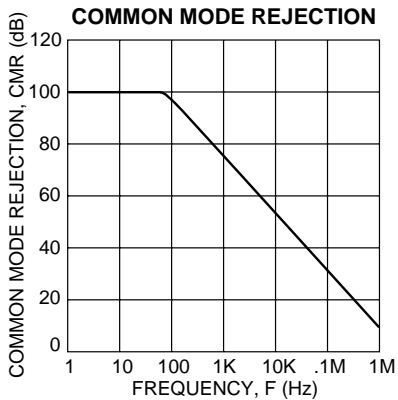
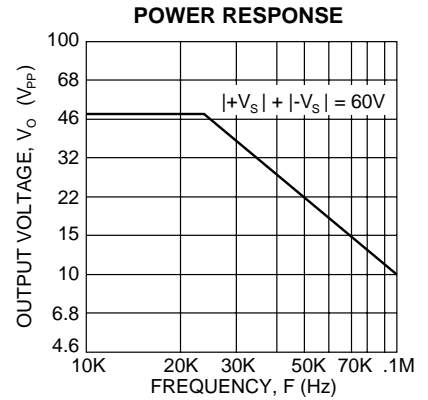
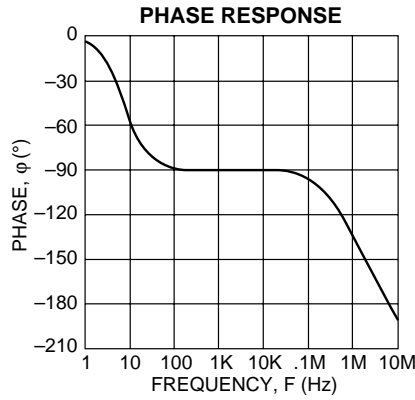
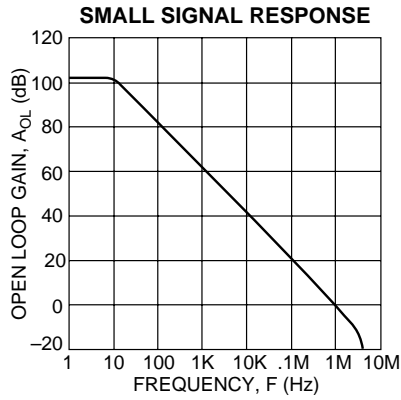
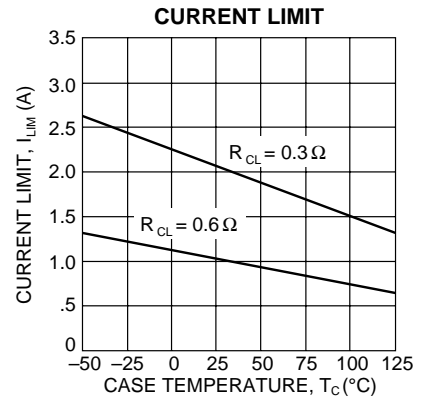
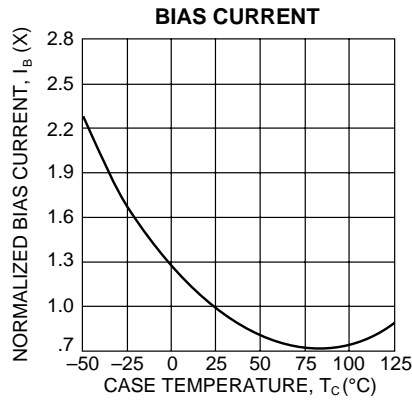
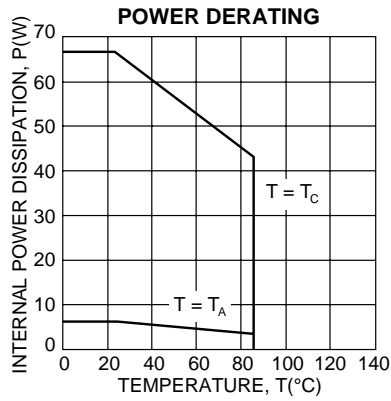
SPECIFICATIONS

PARAMETER	TEST CONDITIONS ²	PA01			PA73			UNITS
		MIN	TYP	MAX	MIN	TYP	MAX	
INPUT								
OFFSET VOLTAGE, initial	T _C = 25°C		±5	±12		*	±10	mV
OFFSET VOLTAGE, vs. temperature	Full temperature range		±10	±65		*	*	μV/°C
OFFSET VOLTAGE, vs. supply	T _C = 25°C		±35			*	±200	μV/V
OFFSET VOLTAGE, vs. power	T _C = 25°C		±20			*	*	μV/W
BIAS CURRENT, initial	T _C = 25°C		±15	±50		*	±40	nA
BIAS CURRENT, vs. temperature	Full temperature range		±0.05	±.4		*	*	nA/°C
BIAS CURRENT, vs. supply	T _C = 25°C		±0.02			*	*	nA/V
OFFSET CURRENT, initial	T _C = 25°C		±5	±15		*	±10	nA
OFFSET CURRENT, vs. temperature	Full temperature range		±0.01			*	*	nA/°C
INPUT IMPEDANCE, common-mode	T _C = 25°C		200			*	*	MΩ
INPUT IMPEDANCE, differential	T _C = 25°C		10			*	*	MΩ
INPUT CAPACITANCE	T _C = 25°C		3			*	*	pF
COMMON MODE VOLTAGE RANGE ³	Full temperature range	±V _S -6	±V _S -3		*	*	*	V
COMMON MODE REJECTION, DC ³	T _C = 25°C, V _{CM} = V _S -6V	70	110		*	*	*	dB
GAIN								
OPEN LOOP GAIN at 10Hz	Full temp. range, full load	91	113		*	*	*	dB
GAIN BANDWIDTH PRODUCT @ 1MHz	T _C = 25°C, full load		1		*	*	*	MHz
POWER BANDWIDTH	T _C = 25°C, I _O = 4A, V _O = 40V _{PP}	15	23		*	*	*	kHz
PHASE MARGIN	Full temperature range		45		*	*	*	°
OUTPUT								
VOLTAGE SWING ³	T _C = 25°C, I _O = 5A	±V _S -10	±V _S -5		±V _S -8	*	*	V
VOLTAGE SWING ³	Full temp. range, I _O = 2A	±V _S -6	±V _S -5		*	*	*	V
VOLTAGE SWING ³	Full temp. range, I _O = 46mA	±V _S -5			*	*	*	V
CURRENT, peak	T _C = 25°C	±5			*	*	*	A
SETTLING TIME to .1%	T _C = 25°C, 2V step		2		*	*	*	μs
SLEW RATE	T _C = 25°C, R _L = 2.5Ω	1.0	2.6		*	*	*	V/μs
CAPACITIVE LOAD, unity gain	Full temperature range			3.3		*	*	nF
CAPACITIVE LOAD, gain > 4	Full temperature range			SOA		*	*	nF
POWER SUPPLY								
VOLTAGE	Full temperature range	±10	±28	±28	*	*	±30	V
CURRENT, quiescent	T _C = 25°C		20	50		2.6	5	mA
THERMAL								
RESISTANCE, AC, junction to case ⁴	F > 60Hz		1.9	2.1		*	*	°C/W
RESISTANCE, DC, junction to case	F < 60Hz		2.4	2.6		*	*	°C/W
RESISTANCE, junction to air			30			*	*	°C/W
TEMPERATURE RANGE, case	Meets full range specifications	-25	25	+85	*	*	*	°C

- NOTES: * The specification of PA73 is identical to the specification for PA01 in applicable column to the left.
1. Long term operation at the maximum junction temperature will result in reduced product life. Derate internal power dissipation to achieve high MTTF.
 2. The power supply voltage specified under the TYP rating applies unless otherwise noted as a test condition.
 3. +V_S and -V_S denote the positive and negative supply rail respectively. Total V_S is measured from +V_S to -V_S.
 4. Rating applies if the output current alternates between both output transistors at a rate faster than 60Hz.

CAUTION

The internal substrate contains beryllia (BeO). Do not break the seal. If accidentally broken, do not crush, machine, or subject to temperatures in excess of 850°C to avoid generating toxic fumes.



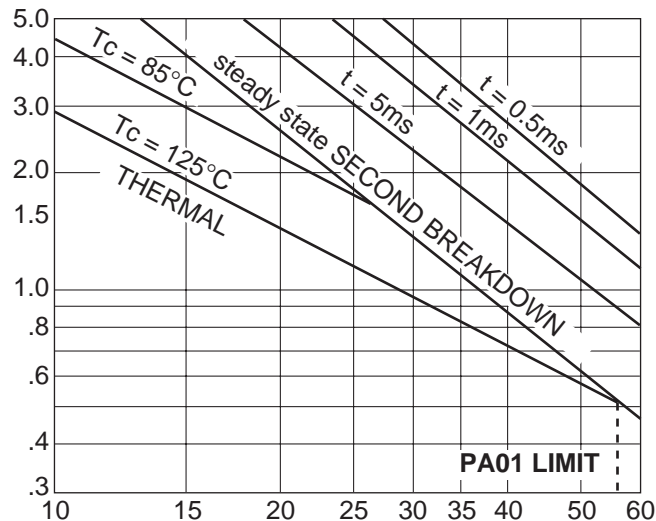
GENERAL

Please read Application Note 1 "General Operating Considerations" which covers stability, supplies, heat sinking, mounting, current limit, SOA interpretation, and specification interpretation. Visit www.apexmicrotech.com for design tools that help automate tasks such as calculations for stability, internal power dissipation, current limit and heat sink selection. The "Application Notes" and "Technical Seminar" sections contain a wealth of information on specific types of applications. Package outlines, heat sinks, mounting hardware and other accessories are located in the "Packages and Accessories" section. Evaluation Kits are available for most Apex product models, consult the "Evaluation Kit" section for details. For the most current version of all Apex product data sheets, visit www.apexmicrotech.com.

SAFE OPERATING AREA (SOA)

The output stage of most power amplifiers has three distinct limitations:

1. The current handling capability of the transistor geometry and the wire bonds.
2. The second breakdown effect which occurs whenever the simultaneous collector current and collector-emitter voltage exceeds specified limits.
3. The junction temperature of the output transistors.



The SOA curves combine the effect of these limits. For a given application, the direction and magnitude of the output current should be calculated or measured and checked against the SOA curves. This is simple for resistive loads but more complex for reactive and EMF generating loads.

1. For sine wave outputs, use Power Design¹ to plot a load line. Make sure the load line does not cross the 0.5ms limit and that excursions beyond any other second breakdown line do not exceed the time label, and have a duty cycle of no more than 10%.

For other waveform outputs, manual load line plotting is recommended. Applications Note 22, SOA AND LOAD LINES, will be helpful. A Spice type analysis can be very useful in that a hardware setup often calls for instruments or amplifiers with wide common mode rejection ranges.

2. EMF generating or reactive load and short circuits to the supply rail or shorts to common are safe if the current limits are set as follows at $T_c = 85^\circ\text{C}$.

$\pm V_s$	SHORT TO $\pm V_s$ C, L, OR EMF LOAD	SHORT TO COMMON
34V	.58A	1.1A
30V	.46A	1.4A
25V	.61A	1.7A
20V	.86A	2.1A
15V	1.3A	2.9A

3. The output stage is protected against occasional transient flyback. However, for protection against sustained, high energy flyback, external fast-recovery diodes should be used.

CURRENT LIMIT

Proper operation requires the use of two current limit resistors, connected as shown, in the external connection diagram. The minimum value for R_{CL} is 0.12 ohm; however, for optimum reliability it should be set as high as possible. Refer to the "General Operating Considerations" section of the handbook for current limit adjust details.

¹ Note 1. Power Design is a self-extracting Excel spreadsheet available free from www.apexmicrotech.com