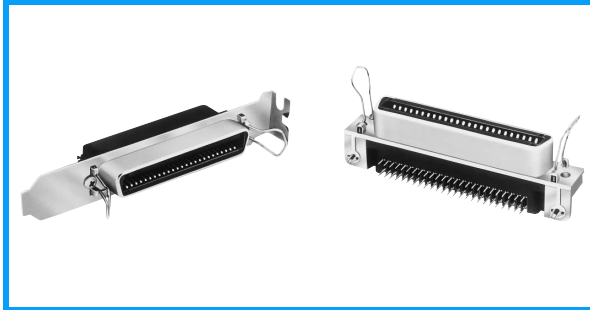


Right Angle Solder Dip Connectors Low-Profile Version



S
57AE

FEATURE

- Low-profile design to fit into computer expansion slots
- Fully closed front face for ESD protection
- Zero gap between connector shell and bracket for noise suppression
- Highly reliable cantilever type contact
- Intermateable with 57 family connectors

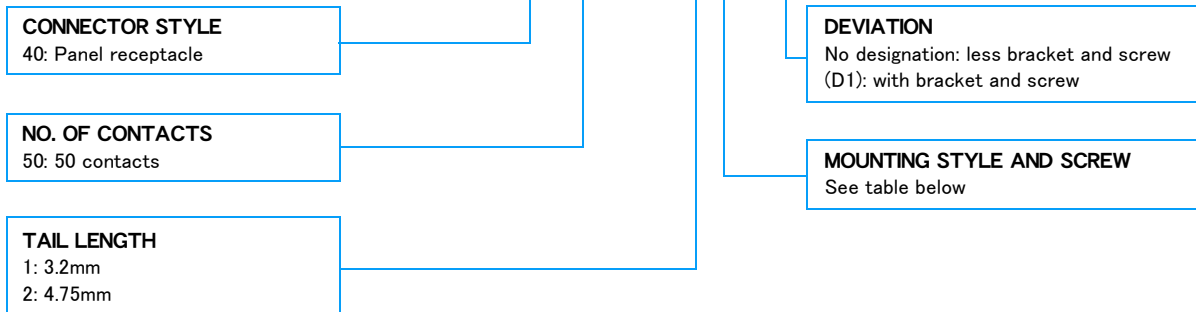
SPECIFICATION

Voltage rating	500V AC (rms)
Current rating	3A/contact
Dielectric withstanding voltage	1200V AC (rms) 1 minute
Insulation resistance	1000M Ω min. at 500V DC
Contact resistance	35m Ω max.

MATERIAL/FINISH

Shell	Zinc cast/Nickel plating
Insulator	PBT resin (UL94-0)/Black
Contact	Copper alloy/0.4 μ m Gold over Nickel plating
Spring Latch	Stainless steel
Mounting Bracket	Copper alloy/Nickel plating
Snap Lock Pin	Copper alloy/Nickel plating

57AE-40500-21A (D1)

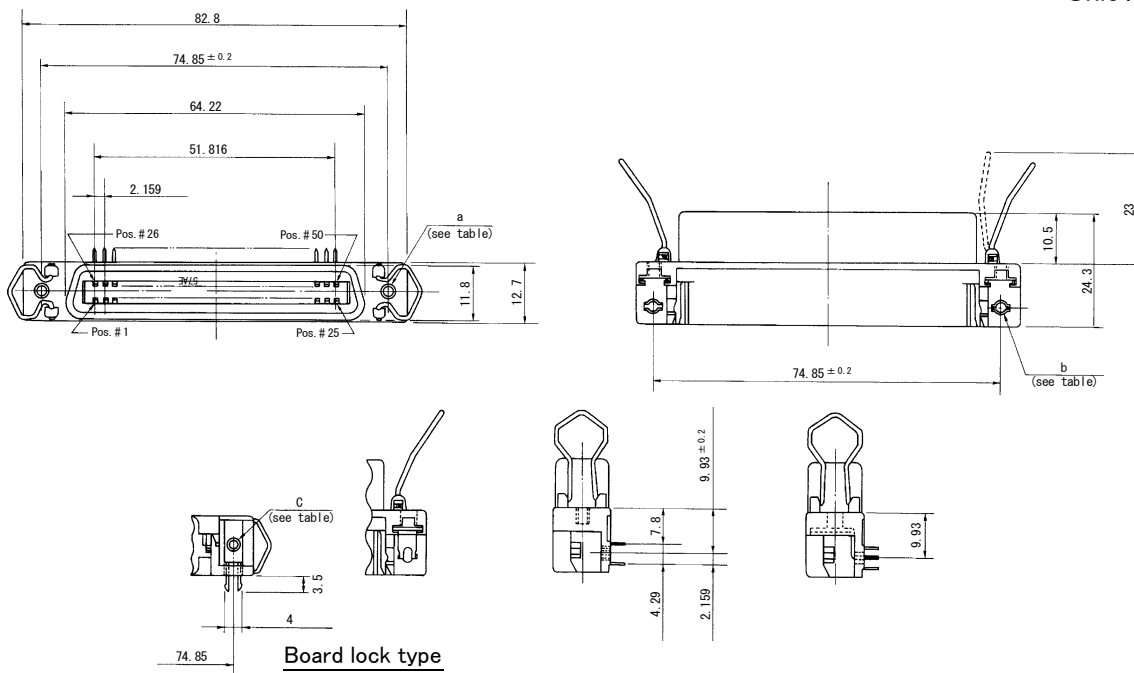


Table

	PCB mounting style	a	b	c
A	Screw type	M3 thread	M3 thread	—
B		#4-40 thread	#4-40 thread	—
C	Board lock	ϕ 3.4	—	M3 thread
D			—	#4-40 thread

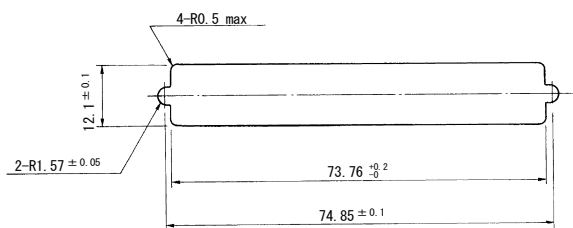
57AE Series

Unit : mm

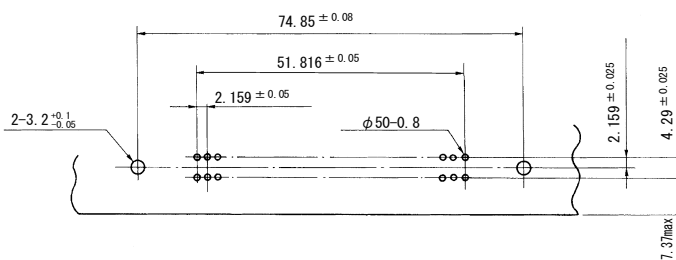


S
57AE

Panel Cut-Out Dimensions



PCB Mounting Dimensions



Bracket

57L-023

