

Features

- Various safety approval.
- Three phase delta, thermal relay connecting.

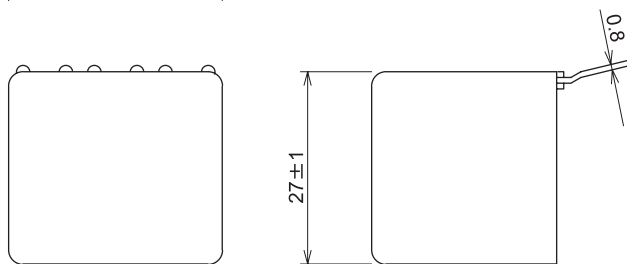
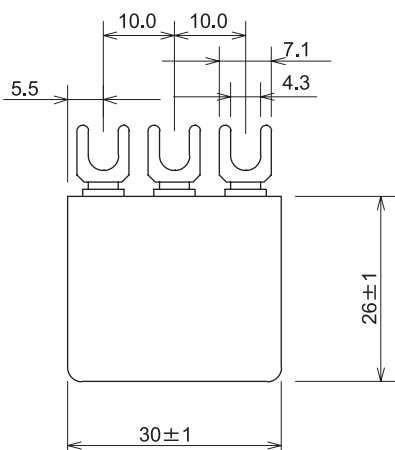
Applications

- Automatic machines and Office appliances.

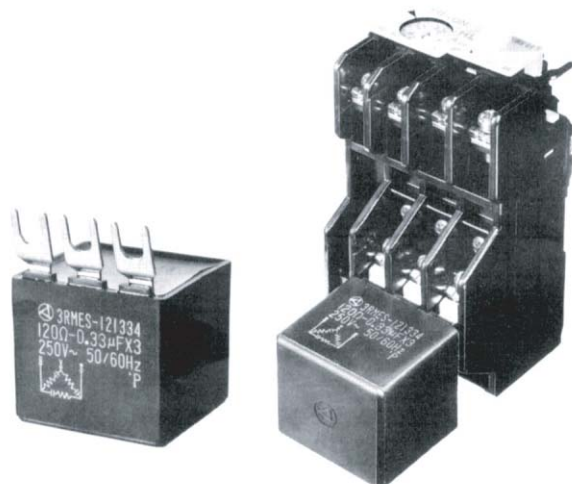


Safety Agency : Standard		File No.
UL	: UL-1283	E78644
VDE	: IEC60384-14 II , EN132400	10529-4670-0036/3240A

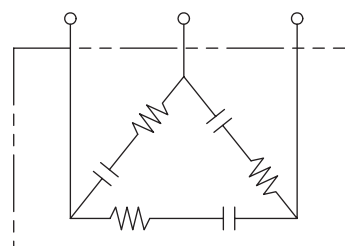
Dimensions



Unit: mm



Circuit



Electrical Specifications

Rated Voltage **250VAC**

Safety Agency	Class	Model Number	*Capacitance $\mu\text{F} \pm 20\%$	*Resistance $\Omega \pm 30\%$	Pulse condition (Max.)				Peak Pulse Voltage	Test Voltage	Insulation Resistance
					Peak to peak	Pulse width	Repetitive frequency	Pulse width (sec) x Frequency (Hz)			
	X2	3RMES-121·334	0.33	120 (1/2W)	700V max	70msec max	360Hz max	0.07 max	800V max	Line to Line 625Vrms 50/60Hz 60min Line to Case 2000Vrms 50/60Hz 60min	Line to Line 10000M Ω min (at 500Vdc) Line to Case 100000M Ω min (at 500Vdc)

* Single Phase

Operating Temperature: -40~+100°C