



**Features (R·V·M-PVF series)**

- For AC100V line.
- Easy installation with P4 fuse connector terminal
- Green indicator tell you when to change it.

**Features (R·V·M-BUZ-2 series)**

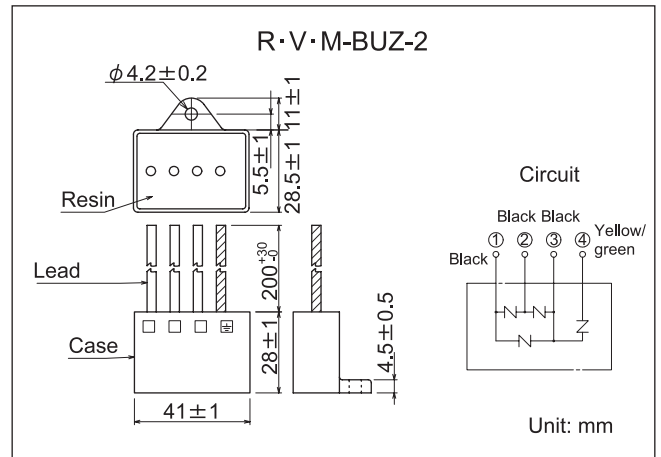
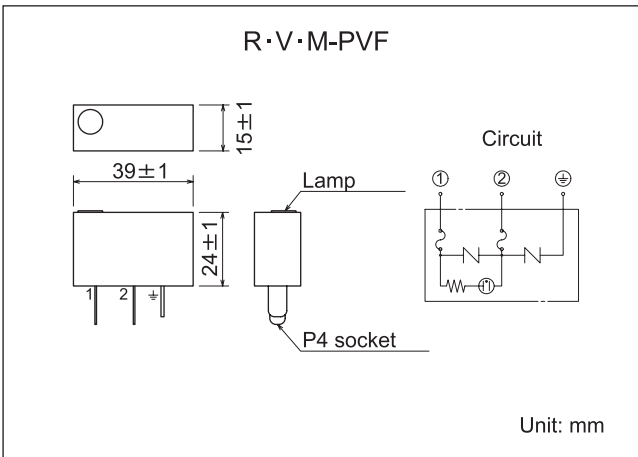
- For AC200V Three-Phase.
- Good for machinery power supplies.

**Applications**

- Various AC power supplies input side.



**Dimensions**



**Electrical Specifications**

Model Number	Terminal Number	Clamp Voltage V ± 10%	Peak Surge Current 8/20μs(A)	Peak Surge Voltage 1.2/50μs(A)	Response Time	Capacitance (pF) Max.	Max. Line Voltage (Vrms)	Weight (g)	Operating Temp. range (°C)	
R·V·M-411·821PVF	1-2	416	1000	10K	50	190	125	13	-20 ~ +50	
	2- ⊥	820	1000	10K		100				
R·V·M-431·821BUZ-2	1-2-3	430	2500	12K		540	250	42		-20 ~ +70
	1-2- ⊥	1250				170				
	3- ⊥	820			230					