

PLEASE CHECK WWW.MOLEX.COM FOR LATEST PART INFORMATION

Part Number: [0357252610](#)
Status: **Active**
Description: Flag Quick Disconnect, Female, for 14-18 AWG (2.00-0.80mm²) Wire, Metal Strip, Tab 6.35 by 0.81mm (.250 by .032"), Open Barrel Flag, Tin Plating

Documents:

[Drawing \(PDF\)](#) [RoHS Certificate of Compliance \(PDF\)](#)
[Product Specification PS-35718-1210 \(PDF\)](#)

Agency Certification

CSA LR95446
 UL E92853

General

Product Family Quick Disconnects
 Series [35725](#)
 Crimp Quality Equipment Yes
 Product Name N/A
 Type Quick Disconnect

Physical

Barrel Type Open
 Gender Female
 Glow-Wire Compliant No
 Insulation None
 Lock to Mating Part Yes
 Material - Metal Brass
 Material - Plating Mating Tin
 Material - Plating Termination Tin
 Orientation Flag
 Packaging Type Reel
 Plating min: Mating (µin) 32
 Plating min: Mating (µm) 0.8
 Plating min: Termination (µin) 32
 Plating min: Termination (µm) 0.8
 Polarized to Mating Part No
 Tab Thickness 0.81mm (.032")
 Tab Width 6.35mm (.250")
 Temperature Range - Operating Per Wire Specification
 Wire Insulation Diameter 3.60mm (.142") max.
 Wire Size AWG 14, 16, 18
 Wire Size mm² 0.80 - 2.00

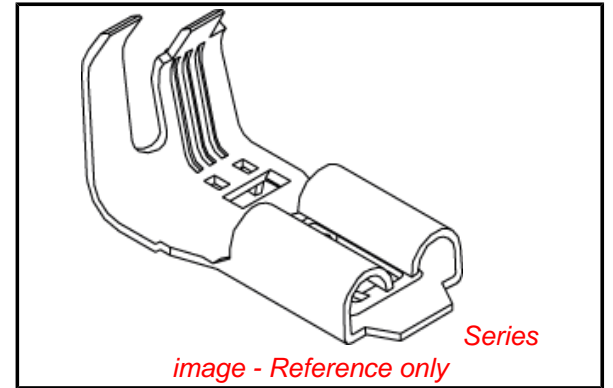
Electrical

Voltage - Maximum Per Wire Specification

Material Info

Reference - Drawing Numbers

Product Specification PS-35718-1210
 Sales Drawing SD-35725-26*0



EU RoHS

ELV and RoHS Compliant
REACH SVHC Contains SVHC: No
Halogen-Free Status

China RoHS



Need more information on product environmental compliance?

Email productcompliance@molex.com
 For a multiple part number RoHS Certificate of Compliance, [click here](#)

Please visit the [Contact Us](#) section for any non-product compliance questions.

Search Parts in this Series

[35725Series](#)

Use With

6.35mm (.250") Tab

Application Tooling | FAQ

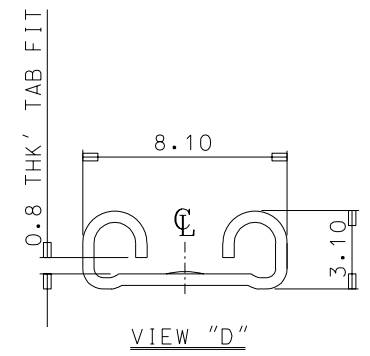
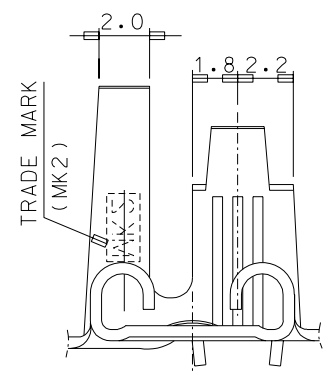
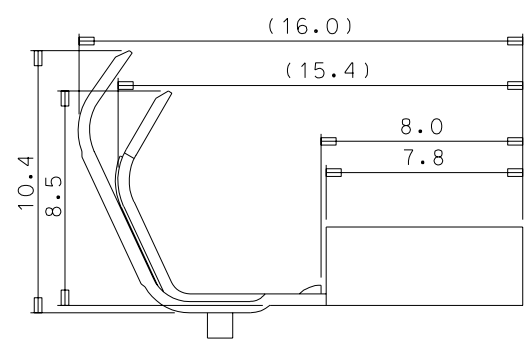
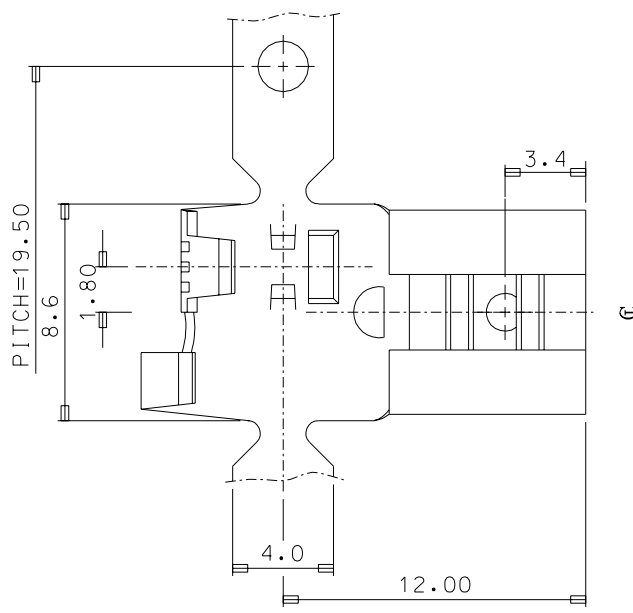
Tooling specifications and manuals are found by selecting the products below. Crimp Height Specifications are then contained in the Application Tooling Specification document.

Japan

Description	Product #
End-Feed Applicator	0573463300

DO NOT SCALE DRAWING
DIMENSION IN METRIC

PROJECT NO. SIMILAR ITEM DWG. NO. SD-35725-26*0



NOTES

1. MATERIAL: BRASS, 0.45mmThk'
2. FINISH: POST-TIN PLATED
3. MATING TAB THICKNESS: 0.8mmThk'
4. APPLICABLE WIRERANE: AWG#18 - #12
5. RECOMMENDED LENGTH OF WIRE STRIP IS 4.8mm - 5.3mm

MATERIAL NO.	ENG NO.	FINISH
357252600	35725-2600	UNPLATED
357252610	35725-2610	POST TIN PLATED

REVISED	EC NO. KOR2004-0148 DRWN: C.B.CHIN 04/06/22 CHK: W.Y.YANG APPR: C.W.LEE	QUALITY SYMBOLS MAJOR = ∇ CRITICAL = ∇	GENERAL TOLERANCES: (UNLESS SPECIFIED)		SCALE 5:1	DESIGN UNITS <input checked="" type="checkbox"/> mm <input type="checkbox"/> INCH	<input checked="" type="checkbox"/> THIRD ANGLE PROJECTION	DIMENSIONS: <input type="checkbox"/> mm <input type="checkbox"/> INCH <input checked="" type="checkbox"/> mm ONLY		SHT	REV
			4 PLACES ±. ±.	3 PLACES ±0. ±.	2 PLACES ±0.30 ±.	1 PLACE ±0.30 ±.	DRAWN BY & DATE W.Y.YANG 93/07/21		TITLE: .250 FLAG REC' TERMINAL		
C	REV	DESCRIPTION	ANGULAR: ± °		CHECKED BY & DATE B.K.CHOI 93/07/21		MOLEX INCORPORATED				
			DRAFT WHERE APPLICABLE MUST REMAIN WITHIN DIMENSIONS		APPROVED BY & DATE C.W.LEE 93/07/21		CAD FILENAME S7252610AA.DGN	MATERIAL NO. SEE NOTES	DRAWING NO. SD-35725-26*0	SHEET NO. 10F1	THIS DRAWING CONTAINS INFORMATION THAT IS PROPRIETARY TO MOLEX INCORPORATED AND SHOULD NOT BE USED WITHOUT WRITTEN PERMISSION.