

PLEASE CHECK WWW.MOLEX.COM FOR LATEST PART INFORMATION

Part Number: [0679558001](#)
Status: **Active**
Description: 2.50mm (.098") Pitch, SDIO Memory Card Connector, Reverse Mount, Stand Off Height: 2.0mm (.079"), Standard, Push Push Type, Lead free

Documents:

[3D Model](#) [Product Specification PS-67913-003 \(PDF\)](#)
[Drawing \(PDF\)](#) [RoHS Certificate of Compliance \(PDF\)](#)

General

Product Family	Memory Card Sockets
Series	67955
Button Type	Push-Push
Comments	SD Card acceptable only. Standard
Component Type	Header & Ejector (Host)
Product Name	SDIO
Type	N/A

Physical

Card Detection Switch	Yes
Circuits (Loaded)	9
Color - Resin	Black
Durability (mating cycles max)	10,000
Ejector Button Side	No Ejector Button Present
Entry Angle	90° Angle (Side Entry)
Keying to Mating Part	Yes
Material - Metal	Copper Alloy
Material - Plating Mating	Gold
Material - Plating Termination	Gold
Material - Resin	High Temperature Thermoplastic
PCB Locator	Yes
PCB Mounting Side	Reverse
PCB Retention	Yes
Packaging Type	Embossed Tape on Reel
Pitch - Mating Interface (in)	0.067 In, 0.098 In
Pitch - Mating Interface (mm)	1.70 mm, 2.50 mm
Pitch - Term. Interface (in)	0.067 In, 0.098 In
Pitch - Term. Interface (mm)	1.70 mm, 2.50 mm
Ports	1
Termination Interface: Style	Surface Mount

Electrical

Current - Maximum per Contact	0.5A
Shielded	Yes
Voltage - Maximum	250V DC

Material Info

Reference - Drawing Numbers

Product Specification	PS-67913-003
Sales Drawing	SD-67955-003

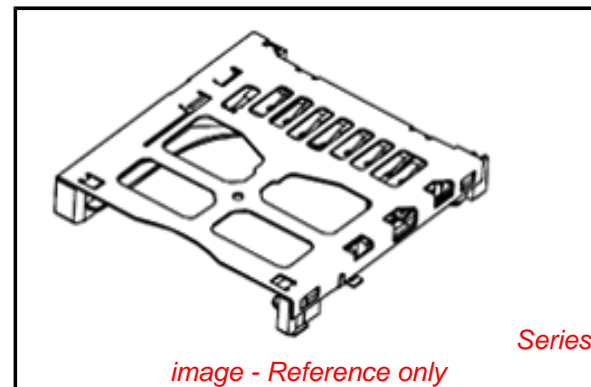


image - Reference only

EU RoHS

**ELV and RoHS
Compliant**
REACH SVHC
 Not Reviewed
**Halogen-Free
Status**

China RoHS



**Need more information on product
environmental compliance?**

Email productcompliance@molex.com
 For a multiple part number RoHS Certificate of Compliance, [click here](#)

Please visit the [Contact Us](#) section for any non-product compliance questions.

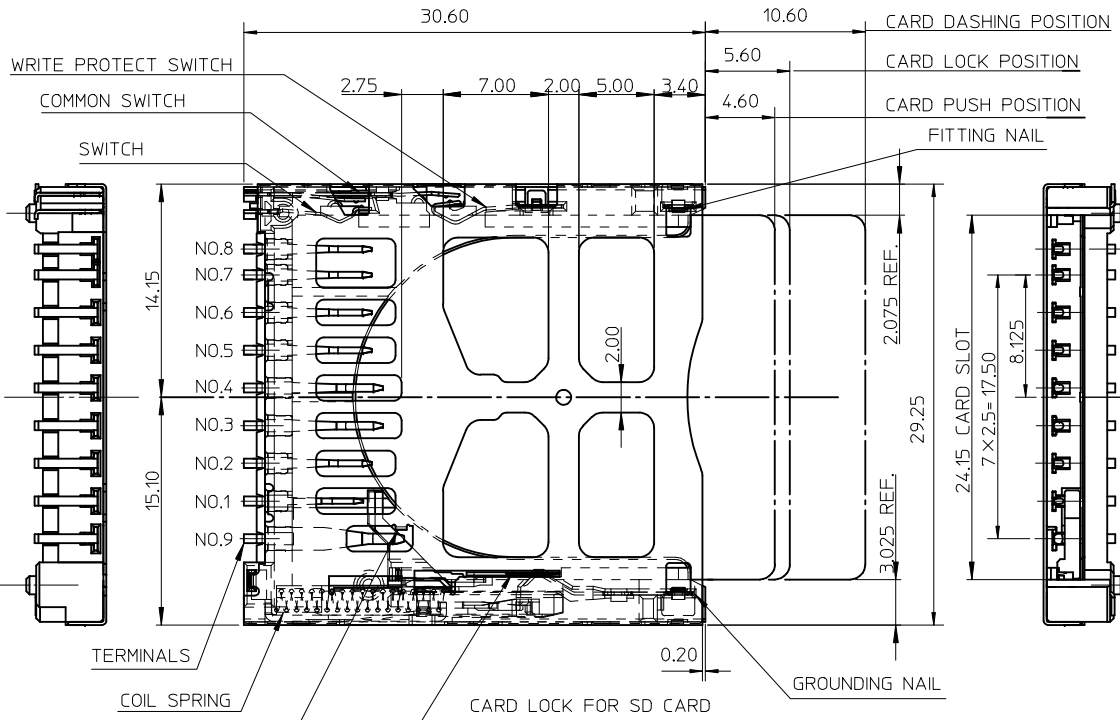
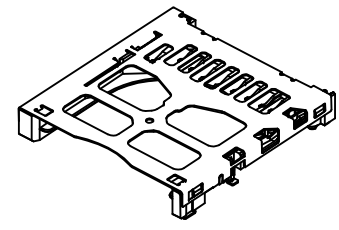
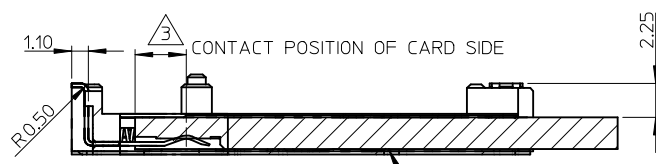
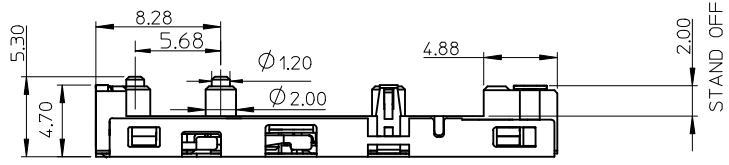
Search Parts in this Series

[67955Series](#)

Use With

SD Card only

10 9 8 7 6 5 4 3 2 1



NOTES:
 1. HOUSING: HIGH TEMPERATURE THERMOPLASTIC, GLASS FIBER FILLED. UL94V-0. COLOR: BLACK
 TERMINAL: COPPER ALLOY, SELECTIVE Au PLATING
 METAL SHELL: STAINLESS STEEL
 EACH SWITCHES: COPPER ALLOY, SELECTIVE Au PLATING.
 EACH NAILS: COPPER ALLOY, SELECTIVE AU PLATING.
 COIL SPRING: STEEL WIRE.
 CAM PIN: STAINLESS STEEL
 2. TERMINAL AND NAIL COPLANARITY TO BE 0.1MAX
 3. CONTACT POSITION OF CARD SIDE

TERMINAL NO.	CONTACT POSITION
NO.1	2.4
NO.2,5,6,7,8	2.9
NO.3,4	3.4
NO.9	5.2

4. OPEN/CLOSE OF EACH SWITCH

	WRITE PROTECT SWITCH		SWITCH
	WRITE PROTECT POSITION	WRITE ENABLE POSITION	
CARD UNINSERTION	OPEN	OPEN	OPEN
CARD HALF INSERTION	CLOSE	CLOSE	OPEN
CARD INSERTION	OPEN	CLOSE	CLOSE

- 5. WHEN DELIVERING, THE PUSH/PUSH MECHANISM IS IN THE STATE OF THE UNLOCK.(CARD DASHING OUT POSITION)
- 6. CARD READ ONLY BY THE TIME THE CARD DETECTION.
- 7. I/O CONTACTS, BASE ON SD I/O ASSOC. REV.G.
- 8. PRODUCT SPECIFICATION: SEE TABLE
- 9. TERMINAL 1 TO BE SIGNAL DETECTING WHEN SD CARD INSERTING.
- 10. PRODUCT COMPLIANT TO RoHS DIRECTIVE 2002/95/EC AND ELV 2000/53/EC.

PART NO.	DESCRIPTION	PRODUCT SPECIFICATION	REMARK
67955-8001	STANDARD	PS-67913-003	FOR SD ONLY
67955-8002	STANDARD W/O CARD LOCK PIN		SD/MMC

UPDATE DRAWING
 EC NO: SH2009-0154
 DRWN: LSONG 2008/09/18
 CHKD: XJSONG 2008/09/18
 APPR: HWANG 2008/10/23

QUALITY SYMBOLS
 ▽=0
 ▽=0
 GENERAL TOLERANCES (UNLESS SPECIFIED)
 4 PLACES ± --- ± ---
 3 PLACES ± --- ± ---
 2 PLACES ± 0.25 ± ---
 1 PLACE ± 0.25 ± ---
 ANGULAR ± 3°
 DRAFT WHERE APPLICABLE MUST REMAIN WITHIN DIMENSIONS

DIMENSION STYLE
MM ONLY
 DRAWN BY: QLZHANG
 CHECKED BY: HARVEY
 APPROVED BY: VINCENT
 DATE: 2005/04/06
 DATE: 2005/04/06
 DATE: 2005/04/06

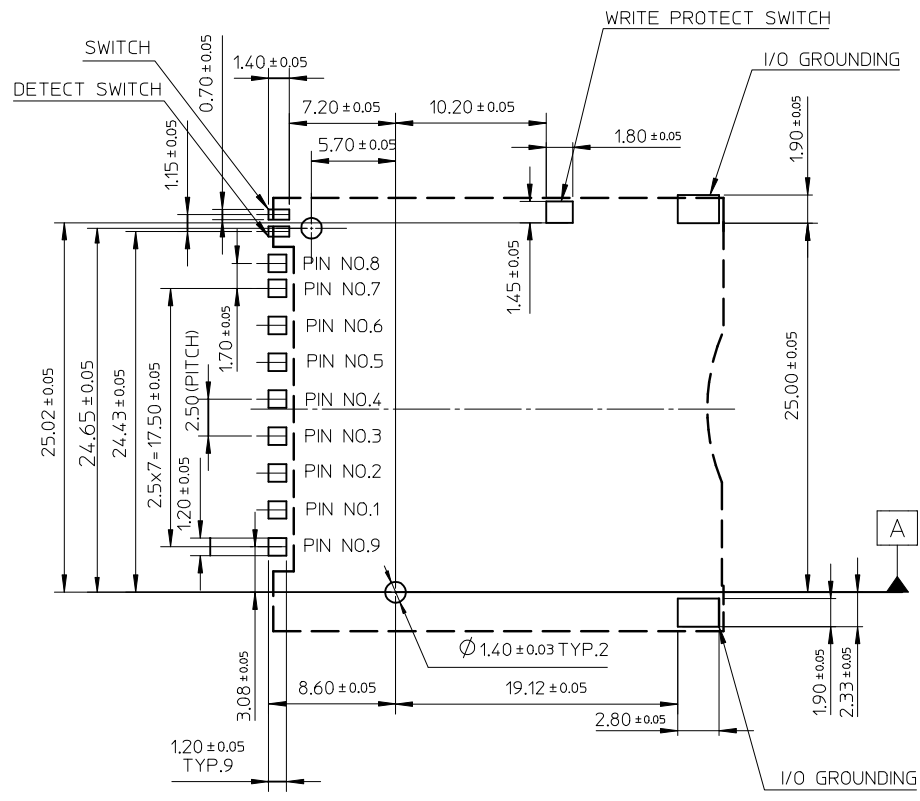
SCALE: 3:1
 DESIGN UNITS: METRIC
 THIRD ANGLE PROJECTION
 TITLE: SD/I/O CARD CONN. STAND OFF 2.0 MM(LEAD-FREE, PUSH-PUSH & REVERSE)
MOLEX MOLEX INCORPORATED
 MATERIAL NO. SEE TABLE
 DOCUMENT NO. SD-67955-003
 SHEET NO. 1 OF 3

9 8 7 6 5 4 3 2 1

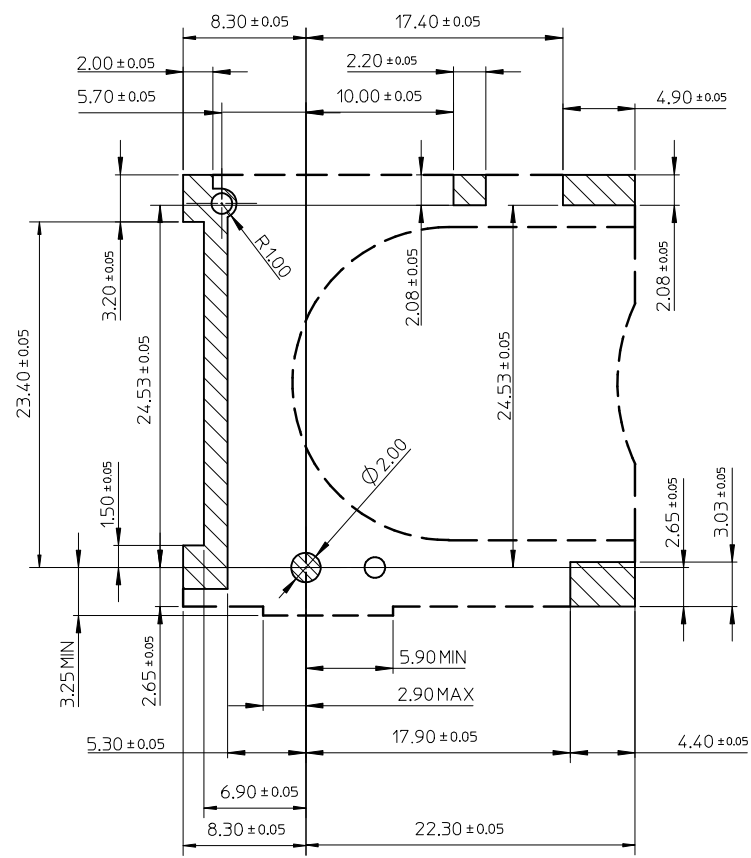
10 9 8 7 6 5 4 3 2 1

F
E
D
C
B
A

F
E
D
C
B
A



RECOMMENDED PCB PATTERN LAYOUT

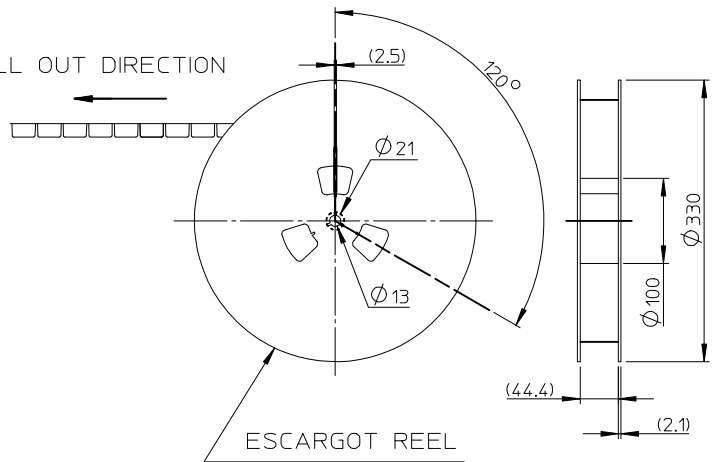


STAND OFF AREA FOR PATTERN PROHIBITION

SEE SHEET 1 EC NO: SH2009-0154 DRWN: LSONG09 2008/09/18 CHKD: XJSONG 2008/09/18 APPR: HWANG 2008/10/23	QUALITY SYMBOLS ▽=0 ◻=0	GENERAL TOLERANCES (UNLESS SPECIFIED)		DIMENSION STYLE MM ONLY		SCALE 3:1	DESIGN UNITS METRIC	THIRD ANGLE PROJECTION			
		4 PLACES ± --- ± ---	3 PLACES ± --- ± ---	2 PLACES ± 0.25 ± ---	1 PLACE ± 0.25 ± ---	ANGULAR ± 3 °	DRAWN BY QLZHANG	DATE 2005/04/06	TITLE SD/IO CARD CONN.STAND OFF 2.0 MM(LEAD-FREE, PUSH-PUSH & REVERSE)		
		DRAFT WHERE APPLICABLE MUST REMAIN WITHIN DIMENSIONS					APPROVED BY HARVEY	DATE 2005/04/06	MOLEX INCORPORATED		
		SEE SHEET 1					MATERIAL NO.	DOCUMENT NO.	SD-67955-003		SHEET NO. 2 OF 3

9 8 7 6 5 4 3 2 1

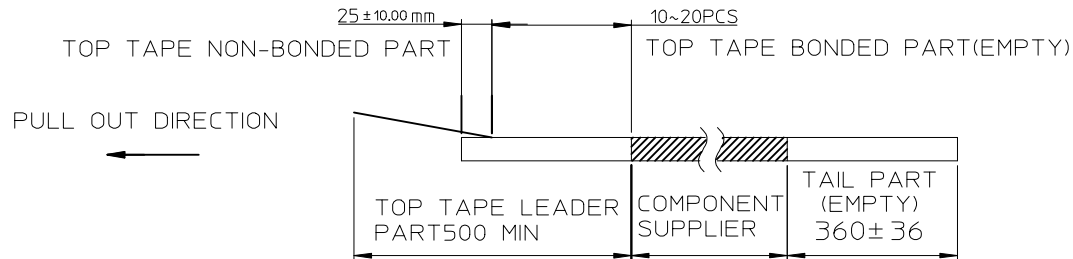
PULL OUT DIRECTION



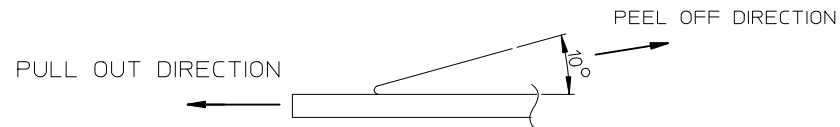
ESCARGOT REEL

NOTES

1. NUMBER OF CONNECTORS:250 PCS/REEL
- 2.

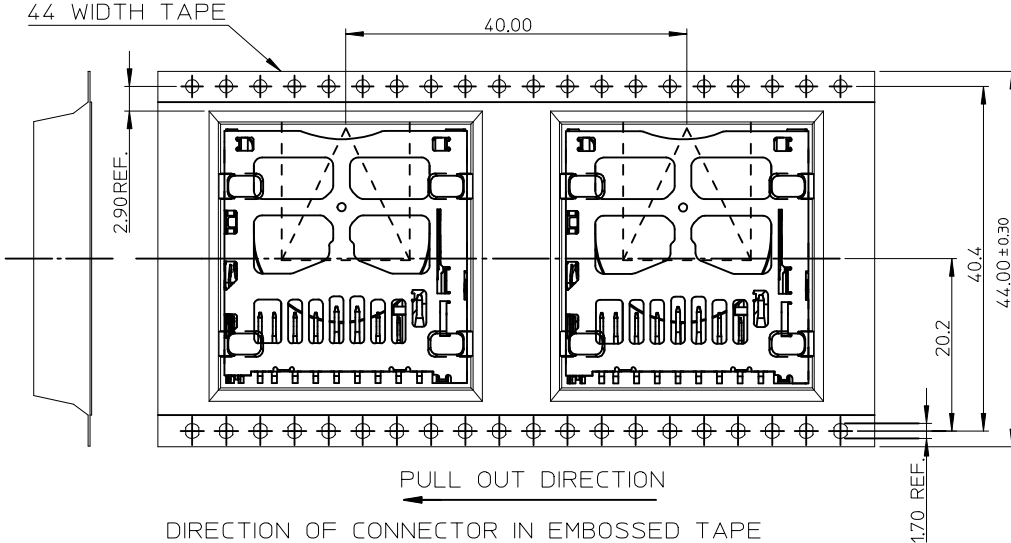


3. PEEL OFF FORCE OF TOP TAPE: 0.1~1.3 N (10.2~130gf)
PEELING DIRECTION AS SHOWN IN FOLLOWING FIG.)
(PEEL OFF SPEED: 300mm/min.REF.)



4. PACKAGING DRAWING REFERS TO PK-67955-001.

44 WIDTH TAPE



SEE SHEET 1

EC NO: SH2009-0154	2008/09/18
DR:WNLSONG09	2008/09/18
CHKD:XJSONG	2008/09/18
APPR:HWANG	2008/10/23

REV	DESCRIPTION
▽=0	QUALITY SYMBOLS
▽=0	

GENERAL TOLERANCES (UNLESS SPECIFIED)	
	mm INCH
4 PLACES	± --- ± ---
3 PLACES	± --- ± ---
2 PLACES	± 0.25 ± ---
1 PLACE	± 0.25 ± ---
ANGULAR ± 3 °	
DRAFT WHERE APPLICABLE MUST REMAIN WITHIN DIMENSIONS	

DIMENSION STYLE	
MM ONLY	
DRAWN BY	DATE
QLZHANG	2005/04/06
CHECKED BY	DATE
HARVEY	2005/04/06
APPROVED BY	DATE
VINCENT	2005/04/06
MATERIAL NO.	
SEE SHEET 1	

SCALE	DESIGN UNITS	THIRD ANGLE PROJECTION
1:1	METRIC	
TITLE		
SD/IO CARD CONN.STAND OFF 2.0 MM(LEAD-FREE, PUSH-PUSH & REVERSE)		
MOLEX INCORPORATED		
DOCUMENT NO.		SHEET NO.
SD-67955-003		3 OF 3

THIS DRAWING CONTAINS INFORMATION THAT IS PROPRIETARY TO MOLEX INCORPORATED AND SHOULD NOT BE USED WITHOUT WRITTEN PERMISSION