

PLEASE CHECK WWW.MOLEX.COM FOR LATEST PART INFORMATION

Part Number: **0563775000**
Status: **Active**
Description: CRC™ Shielded Rectangular I/O Receptacle Shell, Panel Mount, Signal, 50 Circuits, Front Mount Type

Documents:

[Drawing \(PDF\)](#) [Product Specification PS-51300-001 \(PDF\)](#)
[Product Specification PS-51238-016 \(PDF\)](#) [RoHS Certificate of Compliance \(PDF\)](#)
[Product Specification PS-51238-017 \(PDF\)](#)

General

Product Family	I/O Connectors
Series	56377
Application	Panel-Mount, Wire-to-Wire
Component Type	Panel Mount Shell
Product Name	CRC™
Type	N/A

Physical

Boot Color	N/A
Circuits (Loaded)	N/A
Circuits (maximum)	50
Durability (mating cycles max)	100
Gender	Receptacle
Keying to Mating Part	Yes
Lock to Mating Part	Yes
Material - Plating Mating	n/a
Orientation	Vertical
Packaging Type	Tray
Panel Mount	Front
Pitch - Mating Interface (in)	0.000 In
Pitch - Mating Interface (mm)	0.00 mm
Polarized to Mating Part	Yes
Polarized to PCB	N/A
Surface Mount Compatible (SMC)	N/A
Temperature Range - Operating	-40°C to +105°C
Termination Interface: Style	N/A
Waterproof / Dustproof	No

Electrical

Current - Maximum per Contact	2.5A
Shield Type	Full Shield
Shielded	Yes
Voltage - Maximum	250V AC (RMS)/DC

Material Info

Reference - Drawing Numbers

Product Specification	PS-51238-016, PS-51238-017, PS-51300-001
Sales Drawing	SD-56377-015



image - Reference only

EU RoHS
ELV and RoHS
Compliant
REACH SVHC
 Not Reviewed
Halogen-Free
Status
 Not Reviewed

China RoHS



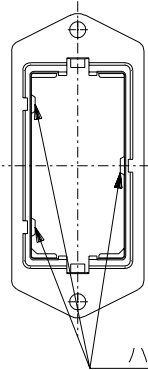
Need more information on product environmental compliance?

Email productcompliance@molex.com
 For a multiple part number RoHS Certificate of Compliance, [click here](#)

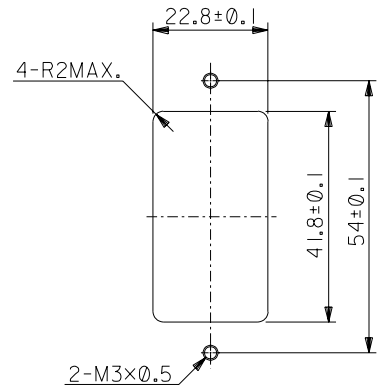
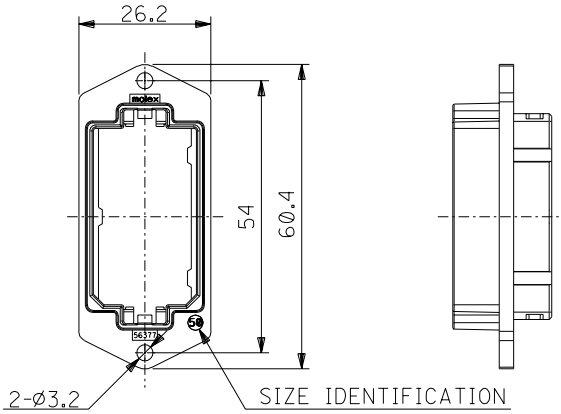
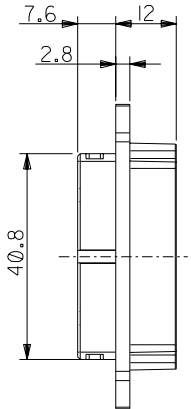
Please visit the [Contact Us](#) section for any non-product compliance questions.

Search Parts in this Series
 56377Series

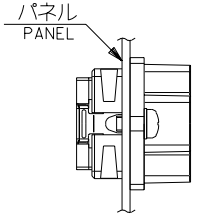
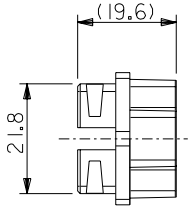
Use With
 51238-501*|51233-501*



ハウジング挿入方向キー
POLARIZATIONS KEY FOR HOUSING



推奨パネル切り取り寸法 (前面取り付け)
RECOMMENDED PANEL OPENING (FRONT MOUNTING)



パネル前面取り付け
FRONT MOUNT TYPE

注記
NOTES

- 材質
MATERIAL
亜鉛合金, ニッケルメッキ
ZINC ALLOY, NI PLATING
- 適用ハウジングアッセンブリ: 51233-501* (PIN HS'G ASS'Y)
51238-501* (SOCKET HS'G ASS'Y)
APPLICABLE HOUSING ASS'Y: 51233-501* (PIN HS'G ASS'Y)
51238-501* (SOCKET HS'G ASS'Y)
- 推奨ねじ締め付けトルク: 5~6 kgf・cm
RECOMMENDED SCREW TIGHTENING TORQUE: 5~6 kgf・cm

56377-5000	56377-****
MATERIAL NO.	MODEL NO.

DO NOT SCALE DRAWING

EC NO. DRWN: CHK: APPR:	EC NO. DRWN: CHK: APPR:	EC NO. DRWN: CHK: APPR:	REVISED '02/06/03	MATERIAL 材料	GENERAL TOLERANCES: (UNLESS SPECIFIED) 一般公差	SCALE	DESIGN UNITS <input checked="" type="checkbox"/> mm <input type="checkbox"/> INCH	THIRD ANGLE PROJECTION	DIMENSIONS: <input type="checkbox"/> mm <input type="checkbox"/> INCH <input checked="" type="checkbox"/> mm ONLY	SHT	REV
			EC NO. J2002-3016 DRWN: S.AKIYAMA CHK: J.MIYAZAWA APPR: YO.IITO								
A	Ø	Ø	RELEASED '02/02/04	注記参照 SEE NOTES	30 UNDER 未滿	±0.25	CHECKED BY & DATE <i>J. Mizuno</i> '02/02/04	COMPACT ROBOT CONN. 50CKT. RECEPTACLE SHELL	MATERIAL NO.	DRAWING NO.	SHEET NO.
			EC NO. J2002-1828 DRWN: S.AKIYAMA CHK: J.MIYAZAWA APPR: YO.IITO								
WIRE RANGE 適用線径範囲	INS. RANGE 被覆外径	ANGLE 角度	±3°	CAD FILENAME 56377015.S01	MATERIAL NO. SEE CHART	DRAWING NO. SD-56377-015	SHEET NO. 1 OF 1				

THIS DRAWING CONTAINS INFORMATION THAT IS PROPRIETARY TO MOLEX INCORPORATED AND SHOULD NOT BE USED WITHOUT WRITTEN PERMISSION.

56377015.S01