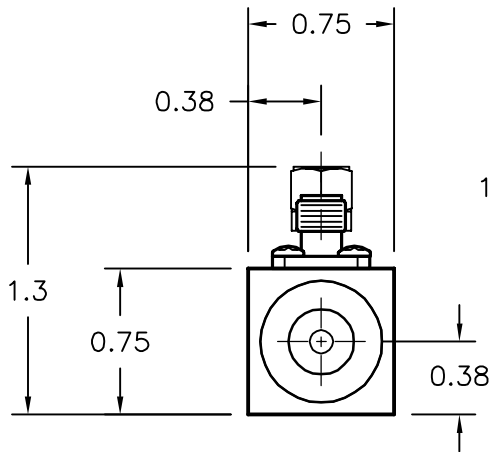
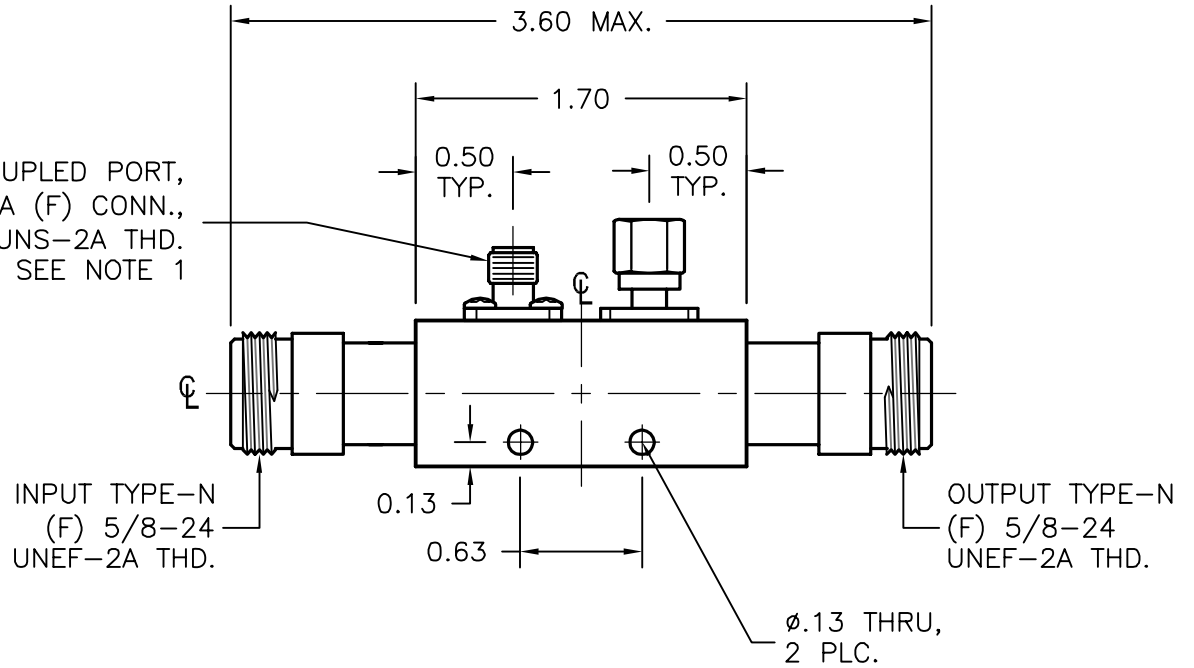


REV <b>A</b>	AUTH <b>RL</b>	DATE <b>07/22/02</b>	INITIAL RELEASE
REV <b>B</b>	AUTH <b>RL</b>	DATE <b>11/08/06</b>	<b>B1</b> COUP. PORT WAS: TYPE-N(F). DWG# WAS: 5047W; MOUNT. HOLES WERE: #4-40 TAP. FORMAT UPDATE.



**B1** COUPLED PORT,  
SMA (F) CONN.,  
1/4-36 UNS-2A THD.  
SEE NOTE 1



INPUT TYPE-N  
(F) 5/8-24  
UNEF-2A THD.

OUTPUT TYPE-N  
(F) 5/8-24  
UNEF-2A THD.

**NOTES:**

- PRIOR TO 11/8/06, STANDARD CONNECTOR AT COUPLED PORT WAS TYPE-N (F). THIS CONFIGURATION IS STILL AVAILABLE AS OPTION: CH225H-35/NFC

THIRD ANGLE PROJECTION:		APPROVALS	DATE		ADVANCED TECHNICAL MATERIALS, INC. TEL: (631) 289-0363 FAX: (631) 289-0358 www.atmmicrowave.com		THE INFORMATION IN THIS DRAWING IS PROPRIETARY AND SHALL NOT BE USED OR DISCLOSED WITHOUT THE PRIOR WRITTEN CONSENT OF ATM INC. DO NOT SCALE DWG.
UNLESS OTHERWISE NOTED, DIMENSIONS ARE IN INCHES. TOLERANCES ARE: FRACTIONS: ±1/64 ANGLES: ±1/2°		DRAWN <b>RL</b>	<b>11/08/06</b>		<b>OUTLINE, DIRECTIONAL COUPLER, TYPE-N</b>		
BASIC DIMENSION	DECIMALS 2 PLACE    3 PLACE	CHKD.	APRVD.	SIZE <b>A</b>			CAGE CODE 0R8N4
UNDER 6"	<b>±.03</b> <b>±.005</b>	MATERIAL -		SCALE <b>1 : 1</b>	MODEL # <b>CH225H-35</b>	SHEET <b>1/1</b>	
6" - 12"	<b>±.04</b> <b>±.010</b>	TREATMENT -					
OVER 12"	<b>±.06</b> <b>±.015</b>	FINISH -					