

**PLEASE CHECK WWW.MOLEX.COM FOR LATEST PART INFORMATION**

**Part Number:** [0015913144](#)  
**Status:** **Active**  
**Description:** 2.54mm (.100") Pitch SL™ Wire-to-Board Header, Low Profile, Surface Mount, Single Row, Right Angle, .120" Pocket, Shrouded, with Press-fit Plastic Peg, 14 Circuits, Tin (Sn) Plating

**Documents:**

<a href="#">3D Model</a>	<a href="#">Product Specification PS-70400 (PDF)</a>
<a href="#">Drawing (PDF)</a>	<a href="#">Product Specification PS-70541 (PDF)</a>
<a href="#">Packaging Specification (PDF)</a>	<a href="#">RoHS Certificate of Compliance (PDF)</a>

**Agency Certification**

CSA	LR19980
UL	E29179

**General**

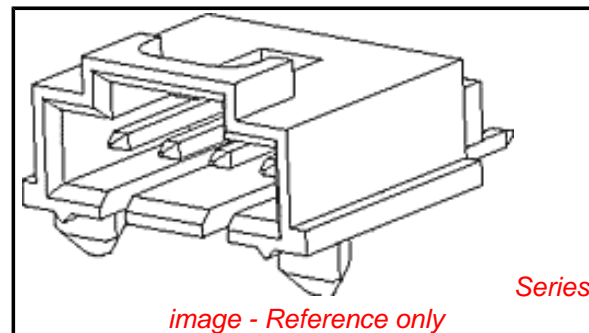
Product Family	PCB Headers
Series	<a href="#">70634</a>
Application	Wire-to-Board
Product Name	SL™

**Physical**

Breakaway	No
Circuits (Loaded)	14
Circuits (maximum)	14
Color - Resin	Black
Durability (mating cycles max)	25
Flammability	94V-0
Glow-Wire Compliant	No
Lock to Mating Part	Yes
Material - Metal	Brass, Phosphor Bronze
Material - Plating Mating	Tin
Material - Plating Termination	Tin
Material - Resin	High Temperature Thermoplastic
Number of Rows	1
Orientation	Right Angle
PCB Locator	Yes
PCB Retention	Yes
PCB Thickness Recommended (in)	0.062 In
PCB Thickness Recommended (mm)	1.60 mm
Packaging Type	Tube
Pitch - Mating Interface (in)	0.100 In
Pitch - Mating Interface (mm)	2.54 mm
Plating min: Mating (µin)	150
Plating min: Mating (µm)	3.75
Plating min: Termination (µin)	150
Plating min: Termination (µm)	3.75
Polarized to Mating Part	Yes
Polarized to PCB	Yes
Shrouded	Fully
Stackable	No
Temperature Range - Operating	-40°C to +105°C
Termination Interface: Style	Surface Mount

**Electrical**

Current - Maximum per Contact	3A
-------------------------------	----



**EU RoHS**

**ELV and RoHS Compliant**  
**REACH SVHC**  
 Not Reviewed  
**Halogen-Free Status**  
 Not Reviewed

**China RoHS**



**Need more information on product environmental compliance?**

Email [productcompliance@molex.com](mailto:productcompliance@molex.com)  
 For a multiple part number RoHS Certificate of Compliance, [click here](#)

Please visit the [Contact Us](#) section for any non-product compliance questions.

**Search Parts in this Series**

[70634Series](#)

**Mates With**

[70066n](#) , [70066g](#) , [70430g](#) , [70400g](#) Housing

Voltage - Maximum

250V

**Solder Process Data**

Lead-free Process Capability  
Process Temperature max. C

Reflow Capable (SMT only)  
260

**Material Info**

Old Part Number

70634-0013

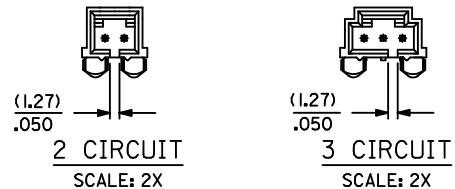
**Reference - Drawing Numbers**

Product Specification  
Sales Drawing

PS-70400, PS-70541  
SDA-70634-\*\*\*\*

This document was generated on 03/30/2010

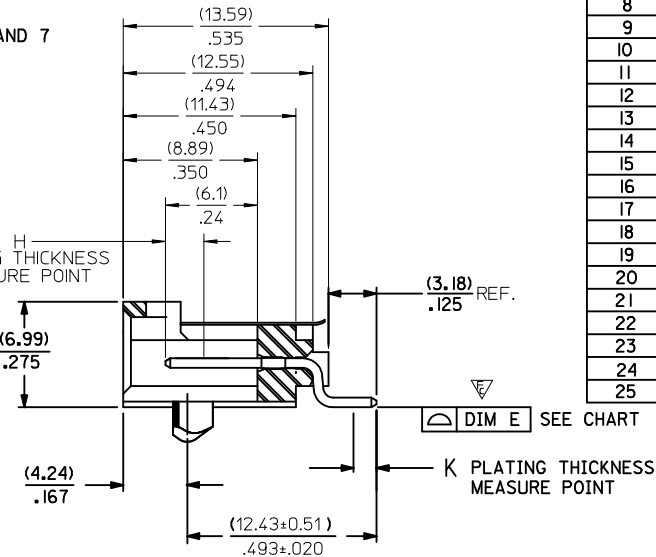
**PLEASE CHECK [WWW.MOLEX.COM](http://WWW.MOLEX.COM) FOR LATEST PART INFORMATION**



KAPTON TAPE  
SEE NOTE 6 AND 7



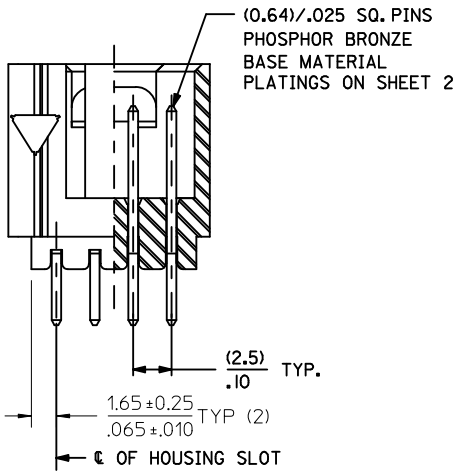
OPTION "E"



SECTION F-F

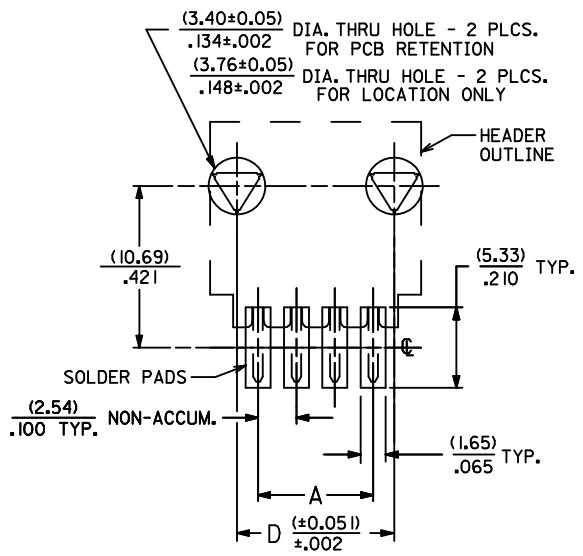
NOTES

- 1) HOUSING MATERIAL: HIGH TEMPERATURE GLASS FILLED POLYESTER, 94V-0, COLOR: BLACK.  
PIN MATERIAL: PHOSPHOR BRONZE
- 2) HEADER MATES TO 70400-\*\*\*\* AND 70430-\*\*\*\* OPTION "G" SERIES CONNECTORS.
- 3) FOR PACKAGING OPTIONS REFER TO CHART ON SHEET 2.
- 4) SEE SHEET 2 FOR PIN PLATINGS.
- 5) REFER TO MOLEX PRODUCT SPECIFICATION PS-70541.
- 6) SEE CHART ON SHEET 2 TO DETERMINE PART NUMBERS WITH KAPTON TAPE.
- 7) KAPTON TAPE ADDED FOR PICK AND PLACE SYSTEMS. REMOVE KAPTON TAPE AFTER SOLDERING TO PREVENT INTERFERENCE WITH LATCH ON MATING PART.



SECTION E-E

CKT. SIZE	"A"		"B"		"C"		"D"		"E"	
	MM	IN.	MM	IN.	MM	IN.	MM	IN.	MM	IN.
2	2.54	.100	5.33	.210	8.64	.340	5.33	.210	0.13	.005
3	5.08	.200	8.13	.320	11.43	.450	7.87	.310	0.13	.005
4	7.62	.300	10.67	.420	13.97	.550	10.41	.410	0.13	.005
5	10.16	.400	13.21	.520	16.51	.650	12.95	.510	0.13	.005
6	12.70	.500	15.75	.620	19.05	.750	15.49	.610	0.13	.005
7	15.24	.600	18.29	.720	21.59	.850	18.03	.710	0.13	.005
8	17.78	.700	20.83	.820	24.13	.950	20.57	.810	0.13	.005
9	20.32	.800	23.37	.920	26.67	1.050	23.11	.910	0.13	.005
10	22.86	.900	25.91	1.020	29.21	1.150	25.65	1.010	0.13	.005
11	25.40	1.000	28.45	1.120	31.75	1.250	28.19	1.110	0.13	.005
12	27.94	1.100	30.99	1.220	34.29	1.350	30.73	1.210	0.13	.005
13	30.48	1.200	33.53	1.320	36.83	1.450	33.27	1.310	0.13	.005
14	33.02	1.300	36.07	1.420	39.37	1.550	35.81	1.410	0.13	.005
15	35.56	1.400	38.61	1.520	41.91	1.650	38.35	1.510	0.13	.005
16	38.10	1.500	41.15	1.620	44.45	1.750	40.89	1.610	0.15	.006
17	40.64	1.600	43.69	1.720	46.99	1.850	43.43	1.710	0.15	.006
18	43.18	1.700	46.23	1.820	49.53	1.950	45.97	1.810	0.15	.006
19	45.72	1.800	48.77	1.920	52.07	2.050	48.51	1.910	0.15	.006
20	48.26	1.900	51.31	2.020	54.61	2.150	51.05	2.010	0.15	.006
21	50.80	2.000	53.85	2.120	57.15	2.250	53.59	2.110	0.18	.007
22	53.34	2.100	56.39	2.220	59.69	2.350	56.13	2.210	0.18	.007
23	55.88	2.200	58.93	2.320	62.23	2.450	58.67	2.310	0.18	.007
24	58.42	2.300	61.47	2.420	64.77	2.550	61.21	2.410	0.18	.007
25	60.96	2.400	64.01	2.520	67.31	2.650	63.75	2.510	0.18	.007



RECOMMENDED P.C. BOARD PAD LAYOUT

MODIFY DIM. TOL. EC NO: UCP2010-1709 DRWINMS/BARRA 2010/01/28 CHKD:EIK 1993/06/02 APPR:SMILLER 2010/02/08	QUALITY SYMBOLS ▽=0 ▽=2 ▽=0	GENERAL TOLERANCES (UNLESS SPECIFIED)		DIMENSION STYLE MM/IN		SCALE 4:1	DESIGN UNITS INCH	THIRD ANGLE PROJECTION	
		4 PLACES ± --- ± --- 3 PLACES ± --- ± .005 2 PLACES ± 0.13 ± .010 1 PLACE ± 0.25 ± ---	mm INCH DRAWN BY DATE EIK 1993/06/02 CHECKED BY DATE EIK 1993/06/02 APPROVED BY DATE SMILLER 2010/02/08	MATERIAL NO. SEE TABLE		DOCUMENT NO. SDA-70634-****		SHEET NO. 1 OF 2	
DRAFT WHERE APPLICABLE MUST REMAIN WITHIN DIMENSIONS				THIS DRAWING CONTAINS INFORMATION THAT IS PROPRIETARY TO MOLEX INCORPORATED AND SHOULD NOT BE USED WITHOUT WRITTEN PERMISSION					

	13	12	11	10	9	8	7	6	5	4	3	2	1
J	ENGINEERING NUMBER A-70634-	MANUFACTURE RELEASE STATUS					PLATING TYPE SEE BELOW	CONNECTOR END PLATING TYPE	P.C. BOARD END PLATING H MEASURE POINT	K MEASURE POINT	KAPTON TAPE	OPTION	PACKAGE PER PK-70873
	-0001-0024	R.F.M.					TIN	TIN	(2.54) .100	(1.27) .050	NO	TUBE	-016
I	-0036-0059	R.F.M.					15 GOLD	GOLD	(2.54) .100	(1.27) .050	NO	TUBE	-016
	-0071-0094	R.F.M.					30 GOLD	GOLD	(2.54) .100	(1.27) .050	NO	TUBE	-016
H	-0106-0129	R.F.M.					TIN	TIN	(2.54) .100	(1.27) .050	YES	CARRIER TAPE	-001
	-0141-0164	R.F.M.					15 GOLD	GOLD	(2.54) .100	(1.27) .050	YES	CARRIER TAPE	-001
	-0176-0199	R.F.M.					30 GOLD	GOLD	(2.54) .100	(1.27) .050	YES	CARRIER TAPE	-001

CKTS	EDP NUMBER	ENG NUMBER	EDP NUMBER	ENG NUMBER	EDP NUMBER	ENG NUMBER	EDP NUMBER	ENG NUMBER	EDP NUMBER	ENG NUMBER	EDP NUMBER	ENG NUMBER	EDP NUMBER	ENG NUMBER	CKTS
02	15-91-3024	A-70634-0001	15-91-2025	A-70634-0036	15-91-3023	A-70634-0071	15-91-6029	A-70634-0106	15-91-7020	A-70634-0141	15-91-7021	A-70634-0176			02
03	15-91-3034	A-70634-0002	15-91-2035	A-70634-0037	15-91-3033	A-70634-0072	15-91-6039	A-70634-0107	15-91-7030	A-70634-0142	15-91-7031	A-70634-0177			03
04	15-91-3044	A-70634-0003	15-91-2045	A-70634-0038	15-91-3043	A-70634-0073	15-91-6049	A-70634-0108	15-91-7040	A-70634-0143	15-91-7041	A-70634-0178			04
05	15-91-3054	A-70634-0004	15-91-2055	A-70634-0039	15-91-3053	A-70634-0074	15-91-6059	A-70634-0109	15-91-7050	A-70634-0144	15-91-7051	A-70634-0179			05
06	15-91-3064	A-70634-0005	15-91-2065	A-70634-0040	15-91-3063	A-70634-0075	15-91-6069	A-70634-0110	15-91-7060	A-70634-0145	15-91-7061	A-70634-0180			06
07	15-91-3074	A-70634-0006	15-91-2075	A-70634-0041	15-91-3073	A-70634-0076	15-91-6079	A-70634-0111	15-91-7070	A-70634-0146	15-91-7071	A-70634-0181			07
08	15-91-3084	A-70634-0007	15-91-2085	A-70634-0042	15-91-3083	A-70634-0077	15-91-6089	A-70634-0112	15-91-7080	A-70634-0147	15-91-7081	A-70634-0182			08
09	15-91-3094	A-70634-0008	15-91-2095	A-70634-0043	15-91-3093	A-70634-0078	15-91-6099	A-70634-0113	15-91-7090	A-70634-0148	15-91-7091	A-70634-0183			09
10	15-91-3104	A-70634-0009	15-91-2105	A-70634-0044	15-91-3103	A-70634-0079	15-91-6109	A-70634-0114	15-91-7100	A-70634-0149	15-91-7101	A-70634-0184			10
11	15-91-3114	A-70634-0010	15-91-2115	A-70634-0045	15-91-3113	A-70634-0080	15-91-6119	A-70634-0115	15-91-7110	A-70634-0150	15-91-7111	A-70634-0185			11
12	15-91-3124	A-70634-0011	15-91-2125	A-70634-0046	15-91-3123	A-70634-0081	15-91-6129	A-70634-0116	15-91-7120	A-70634-0151	15-91-7121	A-70634-0186			12
13	15-91-3134	A-70634-0012	15-91-2135	A-70634-0047	15-91-3133	A-70634-0082	15-91-6139	A-70634-0117	15-91-7130	A-70634-0152	15-91-7131	A-70634-0187			13
14	15-91-3144	A-70634-0013	15-91-2145	A-70634-0048	15-91-3143	A-70634-0083	15-91-6149	A-70634-0118	15-91-7140	A-70634-0153	15-91-7141	A-70634-0188			14
15	15-91-3154	A-70634-0014	15-91-2155	A-70634-0049	15-91-3153	A-70634-0084	15-91-6159	A-70634-0119	15-91-7150	A-70634-0154	15-91-7151	A-70634-0189			15
16	15-91-3164	A-70634-0015	15-91-2165	A-70634-0050	15-91-3163	A-70634-0085	15-91-6169	A-70634-0120	15-91-7160	A-70634-0155	15-91-7161	A-70634-0190			16
17	15-91-3174	A-70634-0016	15-91-2175	A-70634-0051	15-91-3173	A-70634-0086	15-91-6179	A-70634-0121	15-91-7170	A-70634-0156	15-91-7171	A-70634-0191			17
18	15-91-3184	A-70634-0017	15-91-2185	A-70634-0052	15-91-3183	A-70634-0087	15-91-6189	A-70634-0122	15-91-7180	A-70634-0157	15-91-7181	A-70634-0192			18
19	15-91-3194	A-70634-0018	15-91-2195	A-70634-0053	15-91-3193	A-70634-0088	15-91-6199	A-70634-0123	15-91-7190	A-70634-0158	15-91-7191	A-70634-0193			19
20	15-91-3204	A-70634-0019	15-91-2205	A-70634-0054	15-91-3203	A-70634-0089	15-91-6209	A-70634-0124	15-91-7200	A-70634-0159	15-91-7201	A-70634-0194			20
21	15-91-3214	A-70634-0020	15-91-2215	A-70634-0055	15-91-3213	A-70634-0090	15-91-6219	A-70634-0125	15-91-7210	A-70634-0160	15-91-7211	A-70634-0195			21
22	15-91-3224	A-70634-0021	15-91-2225	A-70634-0056	15-91-3223	A-70634-0091	15-91-6229	A-70634-0126	15-91-7220	A-70634-0161	15-91-7221	A-70634-0196			22
23	15-91-3234	A-70634-0022	15-91-2235	A-70634-0057	15-91-3233	A-70634-0092	15-91-6239	A-70634-0127	15-91-7230	A-70634-0162	15-91-7231	A-70634-0197			23
24	15-91-3244	A-70634-0023	15-91-2245	A-70634-0058	15-91-3243	A-70634-0093	15-91-6249	A-70634-0128	15-91-7240	A-70634-0163	15-91-7241	A-70634-0198			24
25	15-91-3254	A-70634-0024	15-91-2255	A-70634-0059	15-91-3253	A-70634-0094	15-91-6259	A-70634-0129	15-91-7250	A-70634-0164	15-91-7251	A-70634-0199			25

**PLATING TYPE**

TIN TIN (Sn) OVER ENTIRE PIN; THICKNESS=(3.75 MICROMETER)/75 MICROINCH MINIMUM; NICKEL (Ni) UNDERPLATE OVER ENTIRE PIN.

15 GOLD SELECTIVE GOLD (Au) IN THE CONTACT AREA; THICKNESS=(0.37 MICROMETER)/15 MICROINCH MINIMUM; SELECTIVE TIN (Sn) IN THE PC TAIL AREA; THICKNESS=(1.88 MICROMETER)/75 MICROINCH MINIMUM; NICKEL (Ni) UNDERPLATE OVER ENTIRE PIN.

30 GOLD SELECTIVE GOLD (Au) IN THE CONTACT AREA; THICKNESS=(0.75 MICROMETER)/30 MICROINCH MINIMUM; SELECTIVE TIN (Sn) IN THE PC TAIL AREA; THICKNESS=(1.88 MICROMETER)/75 MICROINCH MINIMUM; NICKEL (Ni) UNDERPLATE OVER ENTIRE PIN.

SEE SHEET 1 EC NO: UCP2010-1709 DRAWN BY: DRWINNISI BARRA CHKD BY: CHKDEIK APPR: SMILLER 2010/01/28 1993/06/02 2010/02/08	QUALITY SYMBOLS ▽=0 ▽=0 ▽=0	GENERAL TOLERANCES (UNLESS SPECIFIED)		DIMENSION STYLE MM/IN		SCALE	DESIGN UNITS INCH	THIRD ANGLE PROJECTION	
		4 PLACES ± .005	± .005	EIK	DATE 1993/06/02	TITLE SALES ASSEMBLY SMT HEADER - RIGHT ANGLE .100 CENTERS W/PCB PEGS			
		3 PLACES ± .010	± .010	EIK	DATE 1993/06/02	MOLEX INCORPORATED			
		2 PLACES ± 0.13	± .010	APPROVED BY SMILLER	DATE 2010/02/08	DOCUMENT NO. SDA-70634-****		SHEET NO. 2 OF 2	
		1 PLACE ± 0.25	± .010	DRAFT WHERE APPLICABLE MUST REMAIN WITHIN DIMENSIONS		THIS DRAWING CONTAINS INFORMATION THAT IS PROPRIETARY TO MOLEX INCORPORATED AND SHOULD NOT BE USED WITHOUT WRITTEN PERMISSION			