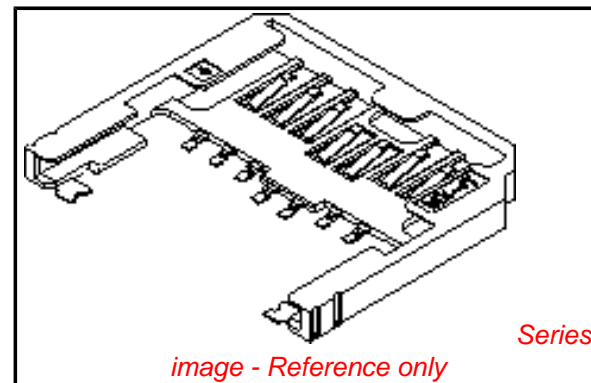


PLEASE CHECK WWW.MOLEX.COM FOR LATEST PART INFORMATION

Part Number: [0943525007](#)
Status: **Active**
Description: 2.50mm (.098") Pitch MultiMediaCard Connector, Unshielded, Low Profile, Right Angle, SMT, Reverse Mount, Embossed Tape Packaging, Lead-Free, RoHS Compliant, Black

Documents:

Packaging Specification (PDF)	Drawing (PDF)
Test Summary (PDF)	Product Specification PS-94352-001 (PDF)
3D Model	RoHS Certificate of Compliance (PDF)



General

Product Family	Memory Card Sockets
Series	94352
Button Type	N/A
Component Type	Header/Socket (Host)
Product Name	MultiMediaCard
Type	N/A

Physical

Card Detection Switch	N/A
Circuits (Loaded)	7
Color - Resin	Black
Durability (mating cycles max)	10,000
Ejector Button Side	No Ejector Button Present
Entry Angle	90° Angle (Side Entry)
Keying to Mating Part	Yes
Material - Metal	Phosphor Bronze
Material - Plating Mating	Gold
Material - Plating Termination	Tin
Material - Resin	High Temperature Thermoplastic
PCB Locator	No
PCB Mounting Side	Reverse
PCB Retention	Yes
Packaging Type	Embossed Tape on Reel
Pitch - Mating Interface (in)	0.098 In
Pitch - Mating Interface (mm)	2.50 mm
Plating min: Mating (µin)	30.4
Plating min: Mating (µm)	0.76
Plating min: Termination (µin)	152
Plating min: Termination (µm)	3.8
Ports	1
Surface Mount Compatible (SMC)	N/A
Temperature Range - Operating	-25°C to +90°C
Termination Interface: Style	Surface Mount

Electrical

Current - Maximum per Contact	0.5A
Shielded	No
Voltage - Maximum	3.3V DC

Solder Process Data

Lead-free Process Capability	Reflow Capable (SMT only)
Process Temperature max. C	245

Material Info

Reference - Drawing Numbers

EU RoHS
ELV and RoHS
Compliant
REACH SVHC
 Not Reviewed
Halogen-Free
Status
Halogen-Free

China RoHS



Need more information on product environmental compliance?

Email productcompliance@molex.com
 For a multiple part number RoHS Certificate of Compliance, [click here](#)

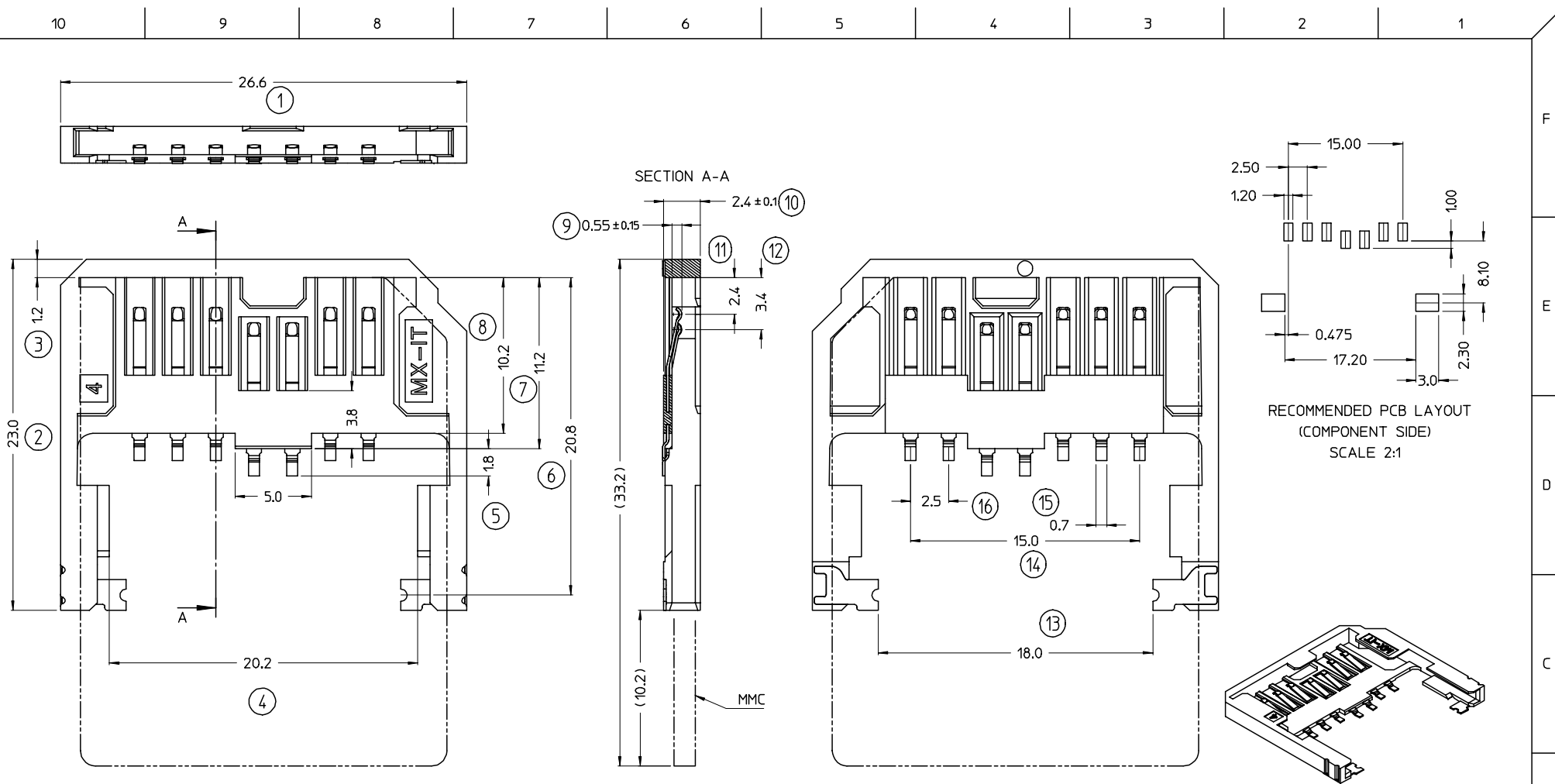
Please visit the [Contact Us](#) section for any non-product compliance questions.

Search Parts in this Series
[94352Series](#)

Use With
 MultiMediaCard

This document was generated on 04/13/2010

PLEASE CHECK WWW.MOLEX.COM FOR LATEST PART INFORMATION



NOTE

- MATERIAL**
HOUSING: LCP, UL94 V0, BLACK COLOR
TERMINAL: Ph-Bz Cu Sn8 0.15 THICK
- PLATING**
CONTACT AREA : Au 0.76um MIN OVER Ni 1.27um MIN
SOLDER AREA: PURE Sn 3.8um MIN OVER Ni 1.27um MIN
- PACKAGING:** TAPE & REEL SEE DRAWING T.B.D.
- OTHER PRODUCT CHARACTERISTIC** ACCORDING PRODUCT SPECIFICATION PS-94352-001

STD. DESCR.*MMC CONNECTOR, SMT*

EC NO: Z2006-0095 DRWN:GZUIN 2005/12/05 CHKD: 2005/12/05 APPR: FBISELLO 2005/12/07	QUALITY SYMBOLS ▽ - 0 ▽ - 0	GENERAL TOLERANCES (UNLESS SPECIFIED)		SCALE 2:1	DESIGN UNITS METRIC	FIRST ANGLE PROJECTION	REVISE ON CAD ONLY		
		4 PLACES ± --- ± ---	3 PLACES ± --- ± ---	DIMENSION STYLE MM ONLY	TITLE MULTI MEDIA CARD CONN. ASS'Y				
		2 PLACES ± 0.10 ± ---	1 PLACE ± 0.2 ± ---	DRAWN BY GZUIN	DATE 02/11/08	MOLEX INCORPORATED			
		ANGULAR ± 2 °		CHECKED BY MTESTAGU	DATE 02/11/08	MATERIAL NO. 94352-5007	DOCUMENT NO. SD-94352-001	SHEET NO. 1 OF 1	
A	REV	DRAFT WHERE APPLICABLE MUST REMAIN WITHIN DIMENSIONS		APPROVED BY RMARTUCC	DATE 02/11/08	THIS DRAWING CONTAINS INFORMATION THAT IS PROPRIETARY TO MOLEX INCORPORATED AND SHOULD NOT BE USED WITHOUT WRITTEN PERMISSION			