

Totalizers mechanic

Stroke, meter and revolution counters

Display 5 digits, manual reset by lever

H 410, M 410, U 410, M 411, U 411



H 410 - Stroke counter



M 410 - Meter counter



U 410 - Revolution counter

Features

- Stroke, meter and revolution counters
- Adding
- Display 5-digits
- Reset by lever

Technical data - mechanical design

| | |
|---------------------------|--|
| Number of digits | 5-digits |
| Digit height | 7 mm |
| Reset | Manual by reset lever. Do not let snap or make jerky movements. |
| Operating temperature | 0...+60 °C |
| Housing type | Surface mount housing with mounting plate |
| Housing colour | Grey |
| Dimensions W x H x L | 106 x 64 x 45 mm |
| Dimensions mounting plate | 120 x 64 mm |
| Mounting | Base plate, 4 mounting holes |
| Weight approx. | 380 g |
| Materials | Housing: Hostaform POM, grey Base plate: Steel zinc-coated |

H 410

| | |
|------------------|--|
| Function | Stroke counter |
| Display | White numbers on black |
| Count mode | Adding in a stroke direction to be indicated. 1 stroke = 1 count |
| Drive shaft | Both sides, $\varnothing 7$ mm |
| Stroke | >38° to <60° |
| Stroke lever | To be positioned on shaft at will. Stroke lever relocates automatically to start position. |
| Stroke frequency | ≤500 strokes/min |
| Measuring range | 99 999 |

Totalizers mechanic

Stroke, meter and revolution counters

Display 5 digits, manual reset by lever

H 410, M 410, U 410, M 411, U 411

Technical data - mechanical design

M 410

| | |
|---------------------|--|
| Function | Meter counter |
| Display | White numbers on black Decimal digits in red |
| Count mode | Adding in a rotational direction to be indicated, subtracting in reverse direction. See part number key |
| Drive shaft | Both sides, $\varnothing 7$ mm |
| Measuring speed | <200 m/min (measuring wheel) |
| Measuring precision | 1 dm, 1 cm |
| Measuring range | 9999.9 m |

M 411

| | |
|---------------------|--|
| Function | Meter counter |
| Display | White numbers on black Decimal digits in red |
| Count mode | Adding in a rotational direction to be indicated, subtracting in reverse direction. See part number key |
| Drive shaft | Centered below, $\varnothing 7$ mm |
| Measuring speed | <60 m/min |
| Measuring precision | 1 dm |
| Measuring range | 9999.9 m |

U 410

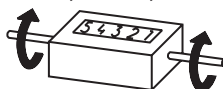
| | |
|-----------------|--|
| Function | Revolution counter |
| Display | White numbers on black |
| Count mode | Adding in a rotational direction to be indicated, subtracting in reverse direction. 1 rev. = 1 count |
| Drive shaft | Both sides, $\varnothing 7$ mm |
| Operating speed | ≤ 3000 rpm |
| Measuring range | 99 999 |

U 411

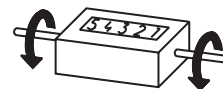
| | |
|-----------------|--|
| Function | Revolution counter |
| Display | White numbers on black |
| Count mode | Adding in a rotational direction to be indicated, subtracting in reverse direction. 1 rev. = 1 count |
| Drive shaft | Centered below, $\varnothing 7$ mm |
| Operating speed | ≤ 1000 rpm |
| Measuring range | 99 999 |

Direction of strokes and rotation

H 410, M 410, U 410

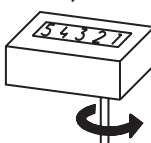


Away from user
Sense of rotation or stroke direction I

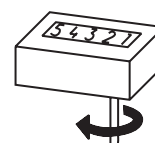


Towards user
Sense of rotation or stroke direction II

M 411, U 411



Sense of rotation I



Sense of rotation II

Accessories

Measuring wheels for M 410, M 411

| | |
|-----------|---|
| MR512.07A | Circumf. 50 cm, knurled aluminium |
| MR542.07D | Circumf. 50 cm, smooth Hytrel TPE-E |
| MR552.07A | Circumf. 50 cm, smooth Vulkollan PUR |
| MR562.07A | Circumf. 50 cm, knopped rubber NBR Nitril |
| MR592.07D | Circumf. 50 cm, grooved Hytrel TPE-E |

Totalizers mechanic

Stroke, meter and revolution counters

Display 5 digits, manual reset by lever

H 410, M 410, U 410, M 411, U 411

Part number

Stroke counter

H 410. 010 A 02

Display / direction of stroke
 A 5-digits 99 999 / I
 B 5-digits 99 999 / II

Count mode / drive
 02 1 stroke = 1 digit / drive shaft on both sides

Housing
 A Surface mount housing, grey

Reset
 010 With reset lever

Meter counter

M 411. 010 A 03

Display / direction of rotation
 C 5-digits 9999.9 / I
 D 5-digits 9999.9 / II

Count mode / drive
 03 2 revolutions = 10 digits = 1.0 m / drive shaft at bottom

Housing
 A Surface mount housing, grey

Reset
 010 With reset lever

Revolution counter

U 411. 010 A 01

Display / direction of rotation
 A 5-digits 99 999 / I
 B 5-digits 99 999 / II

Count mode / drive
 01 1 revolution = 1 digit / drive shaft at bottom

Housing
 A Surface mount housing, grey

Reset
 010 With reset lever

Meter counter

M 410. 010

Display / direction of rotation
 C 5-digits 9999.9 / I
 D 5-digits 9999.9 / II
 E 5-digits 999,99 / I
 F 5-digits 999,99 / II
 G 5-digits 9999.95 / I
 H 5-digits 9999.95 / II

Count mode / drive
 02 1 revolution = 10 digits = 1.0 m / drive shaft on both sides
 03 2 revolutions = 10 digits = 1.0 m / drive shaft on both sides
 04 5 revolutions = 10 digits = 1.0 m / drive shaft on both sides
 06 5 revolutions = 100 digits = 1.0 m / drive shaft on both sides
 07 2 revolutions = 100 digits = 1.0 m / drive shaft on both sides

Housing
 A Surface mount housing, grey
 B Surface mount housing with hinge plate

Reset
 010 With reset lever

Revolution counter

U 410. 010 A

Display / direction of rotation
 A 5-digits 99 999 / I
 B 5-digits 99 999 / II

Count mode / drive
 01 1 revolution = 1 digit / drive shaft on both sides
 02 1 revolution = 10 digits / drive shaft on both sides

Housing
 A Surface mount housing, grey

Reset
 010 With reset lever

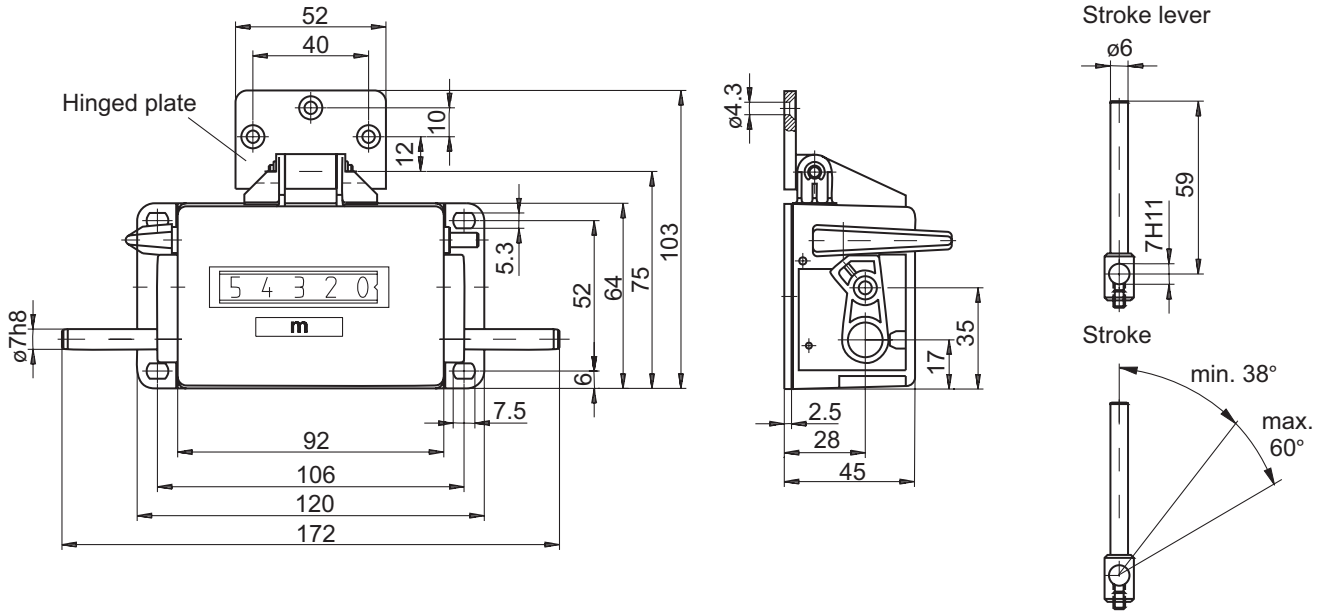
Totalizers mechanic

Stroke, meter and revolution counters
Display 5 digits, manual reset by lever

H 410, M 410, U 410, M 411, U 411

Dimensions

H 410, M 410, U 410



M 411, U 411

