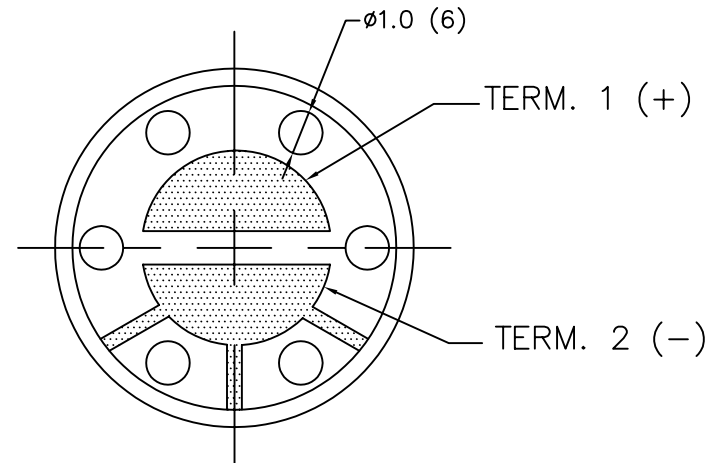
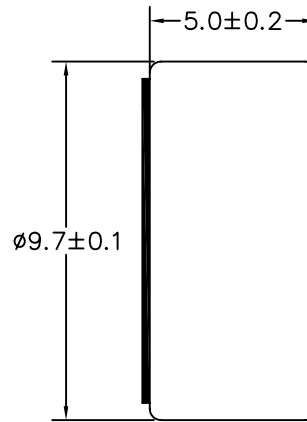
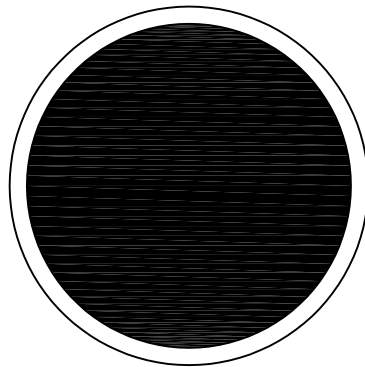


THIS DOCUMENT CONTAINS DATA PROPRIETARY TO PROJECTS UNLIMITED, INC. ANY USE OR REPRODUCTION, IN ANY FORM, WITHOUT PRIOR WRITTEN PERMISSION OF PROJECTS UNLIMITED, INC. IS PROHIBITED.
 © 2005, Projects Unlimited Inc.

SPECIFICATIONS

PARAMETERS	VALUES	UNITS
DIRECTIVITY	UNI	—
SENSITIVITY	-47±4	dB
STANDARD OPERATING VOLTAGE	1.5	Vdc
MAX OPERATING VOLTAGE	10	Vdc
CURRENT CONSUMPTION MAX	0.5	mA
IMPEDANCE	680	Ohm
SIGNAL TO NOISE RATIO (MIN.)	55	dB
TERMINAL	SOLDER PAD	—
INTERNAL CAPACITOR	—	pF

REVISIONS			
LTR	DESCRIPTION	DATE	APPROVED
—	RELEASED FROM ENGINEERING	6/30/05	



NOTES:

1. ALL DIMENSIONS ARE IN MILLIMETERS.
2. SPECIFICATION SUBJECT TO CHANGE OR WITHDRAWAL WITHOUT NOTICE.
3. THIS PART IS RoHS 2002/95/EC COMPLIANT.

FILE NAME
 AUM-5047L-R.DWG

UNLESS OTHERWISE SPECIFIED:
 DIMENSIONS ARE IN MILLIMETERS, TOLERANCES ARE ±0.5 AND ANGLES ARE ±3°.

 **projects® unlimited** Dayton, Ohio

APPROVALS	DATE
DRAWN <i>R.A.C.</i>	6/05
CHECKED <i>B.R.</i>	6/05
APPROVED <i>R.W.</i>	6/05

SIZE **A** DRAWING NO. **AUM-5047L-R**

MICROPHONE

DO NOT SCALE DRAWING

SCALE: N.T.S.

SHEET 1 OF 1