

PLEASE CHECK WWW.MOLEX.COM FOR LATEST PART INFORMATION

Part Number: [0399200308](#)
Status: **Active**
Description: 15.00mm (.591") Beau™ Eurostyle™, Fixed Mount PCB Terminal Block, High Voltage, High Power 115.0A, 8 Circuits

Documents:

[3D Model](#) [RoHS Certificate of Compliance \(PDF\)](#)
[Drawing \(PDF\)](#)

Agency Certification

UL E48521

General

Product Family	Terminal Blocks
Series	39920
Application	Wire-to-Board
Component Type	One Piece
Product Literature Order No	USA-199
Product Name	Eurostyle™ Fixed Mount
Type	Euro Block

Physical

Circuits (Loaded)	8
Color - Resin	Black
Entry Angle	Horizontal
Flammability	94V-0
Lock to Mating Part	None
Material - Metal	Brass
Material - Plating Mating	Tin
Material - Plating Termination	Tin
Material - Resin	Polyester
Number of Rows	1
Orientation	Vertical
PC Tail Length (in)	0.250 In
PC Tail Length (mm)	6.35 mm
PCB Retention	Yes
Panel Mount	No
Pitch - Mating Interface (in)	0.591 In
Pitch - Mating Interface (mm)	15.00 mm
Pitch - Term. Interface (in)	0.591 In
Pitch - Term. Interface (mm)	15.00 mm
Plating min: Mating (µin)	150
Plating min: Mating (µm)	3.75
Plating min: Termination (µin)	150
Plating min: Termination (µm)	3.75
Polarized to Mating Part	Yes
Shrouded	Fully
Stackable	No
Surface Mount Compatible (SMC)	No
Temperature Range - Operating	130°C
Termination Interface: Style	Through Hole
Wire Size AWG	1, 2, 3, 4, 6, 8
Wire Size mm²	10.0 - 35

Electrical

Current - Maximum per Contact 11A

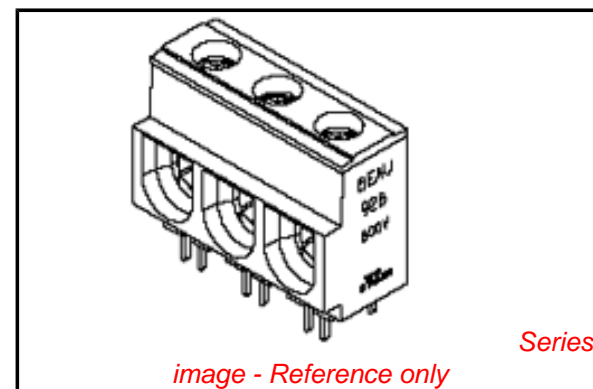


image - Reference only

Series

EU RoHS

**ELV and RoHS
Compliant**
REACH SVHC
 Not Reviewed
**Halogen-Free
Status**
Not Reviewed

China RoHS



**Need more information on product
environmental compliance?**

Email productcompliance@molex.com
 For a multiple part number RoHS Certificate of Compliance, [click here](#)

Please visit the [Contact Us](#) section for any non-product compliance questions.

Search Parts in this Series

[39920Series](#)

Mates With

N/A

Voltage - Maximum

600V

Solder Process Data

Lead-free Process Capability

Wave Capable (TH only)

Material Info

Old Part Number

92B0508

Reference - Drawing Numbers

Sales Drawing

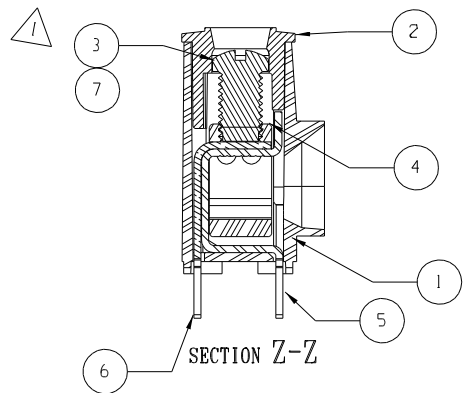
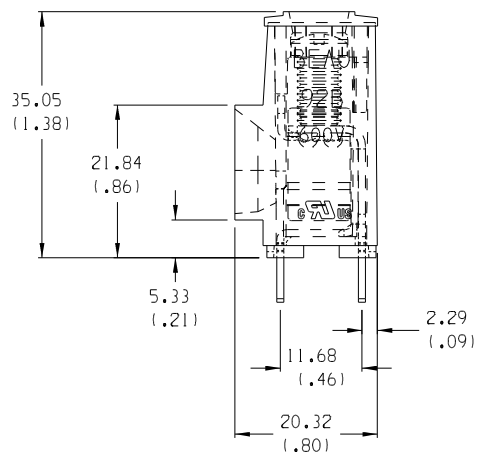
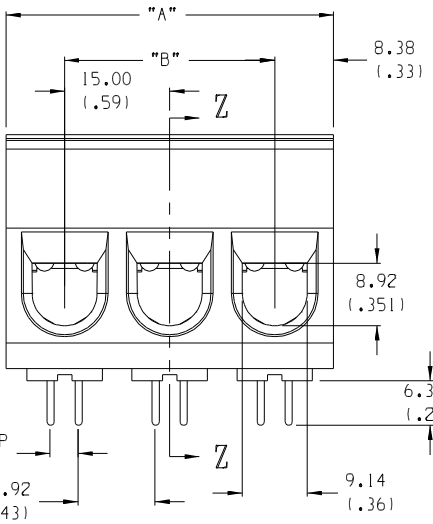
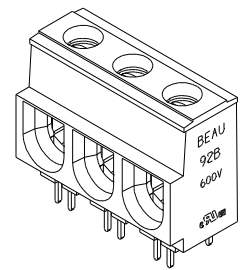
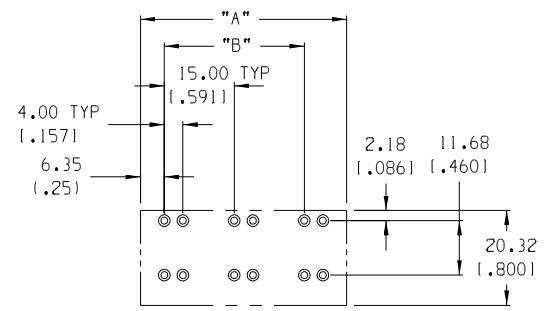
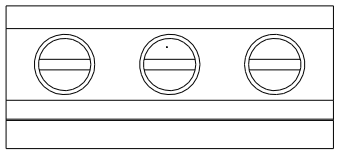
SD-39920-006

This document was generated on 04/27/2010

PLEASE CHECK WWW.MOLEX.COM FOR LATEST PART INFORMATION

LENGTH TABLE

MATERIAL NO. (STANDARD)	MATERIAL NO. (-56 OPT.)	NO. OF CIRCUITS	"B"	"A"
F 399200302	399200602	02	15.0 (.591)	32 (1.25)
399200303	399200603	03	30.0 (1.181)	47 (1.84)
399200304	399200604	04	45.0 (1.772)	62 (2.43)
399200305	399200605	05	60.0 (2.362)	77 (3.02)
399200306	399200606	06	75.0 (2.952)	92 (3.61)
399200307	399200607	07	90.0 (3.543)	107 (4.20)
399200308	399200608	08	105.0 (4.134)	122 (4.79)
E 399200309	399200609	09	120.0 (4.724)	137 (5.38)
399200310	399200610	10	135.0 (5.315)	152 (5.97)
399200311	399200611	11	150.0 (5.906)	167 (6.57)
399200312	399200612	12	165.0 (6.496)	182 (7.16)



- NOTES:
1. MATERIAL: SEE TABLE.
 2. FINISHES: SEE TABLE.
 3. PRODUCT SPECIFICATION: NOT REQUIRED.
 4. PACKAGING: NOT REQUIRED.
 5. MATES WITH: NONE.
 6. ALL FEATURES ARE TYPICAL UNLESS OTHERWISE NOTED.
 7. "XX" REFERS TO THE NUMBER OF CIRCUIT POSITIONS
 8. DESIGNED TO MEET NEC & UL 1059 CLASS C 600 VOLTS
 9. MULTIPLE TAIL DESIGN FOR LOWER PCB CURRENT DENSITIES
 10. PROVEN PRESSURE CLAMP STYLE CONNECTION
 11. AVAILABLE IN VARIOUS LENGTHS
 12. WINDOW ACCEPTS 133/23 STRANDED #2 AWG, #3 AWG AND 19 STRAND #1 AWG

ITEM	QTY.	DESCRIPTION	MATERIAL	FINISH
7	"XX"	SCREW, 1/4-28, SLOTTED, ST. STEEL	STAINLESS STEEL	TIN
6	"XX"	OUTER TERMINAL	COPPER	TIN
5	"XX"	INNER TERMINAL	COPPER	TIN
4	"XX"	CAGE	BRASS	NICKEL
3	"XX"	SCREW, 1/4-28, SLOTTED, BRONZE	BRONZE	TIN
2	1	COVER	THERMOPLASTIC	BLACK
1	1	BODY	THERMOPLASTIC	BLACK



EC NO. 4261	DESCRIPTION	QUALITY SYMBOLS
DRAWN: CY 10-7-05	MAJOR	GENERAL TOLERANCES: (UNLESS SPECIFIED)
CHK: APPR:	CRITICAL	mm INCH
REV	C	4 PLACES ±.0015
		3 PLACES ±.038 ±.005
		2 PLACES ±.13 ±.01
		1 PLACE ±.3
		ANGULAR: ±2°
		DRAFT WHERE APPLICABLE MUST REMAIN WITHIN DIMENSIONS

SCALE 1.5:1	DESIGN UNITS	THIRD ANGLE PROJECTION
AMP 4/11/02	mm <input type="checkbox"/> INCH <input checked="" type="checkbox"/>	mm <input type="checkbox"/> INCH <input type="checkbox"/>
CHECKED BY & DATE	TITLE: SR, BTS, #1-#8 AWG, 600V	
GHR 6/11/02	MOLEX INCORPORATED	
APPROVED BY & DATE	MATERIAL NO.	DRAWING NO.
L.ROTHAUS 6/11/02	SEE CHART	SD-39920-006
CAD FILENAME	SHEET NO.	SIZE
92B05XX	1 OF 1	B

THIS DRAWING CONTAINS INFORMATION THAT IS PROPRIETARY TO MOLEX INCORPORATED AND SHOULD NOT BE USED WITHOUT WRITTEN PERMISSION.