

PLEASE CHECK WWW.MOLEX.COM FOR LATEST PART INFORMATION

Part Number: [0399000516](#)
Status: **Active**
Description: 3.81mm (.150") Pitch Beau™ Eurostyle™ Vertical PCB Header, 16 Circuits
Replacement Part Number: 39511-1016

Documents:

[3D Model](#) [RoHS Certificate of Compliance \(PDF\)](#)
[Drawing \(PDF\)](#)

Agency Certification

UL E48521

General

Product Family Terminal Blocks
 Series [39900](#)
 Application Wire-to-Board
 Comments Gold plating and green housing available
 Component Type PCB Header
 Product Name Eurostyle™ Pluggable
 Replacement Part Number [39511-1016](#)
 Type Euro Block

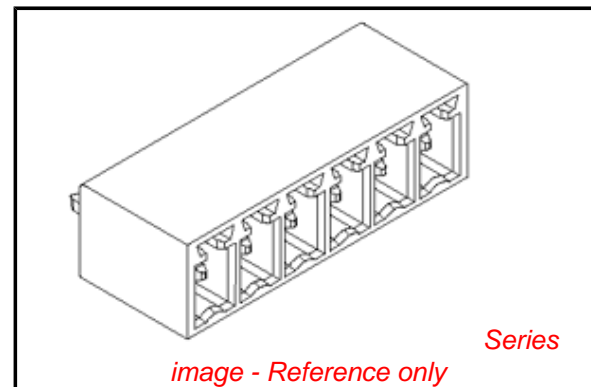
Physical

Circuits (Loaded) 16
 Color - Resin Black
 Entry Angle N/A
 Flammability 94V-0
 Lock to Mating Part None
 Material - Plating Mating Gold
 Material - Plating Termination Gold
 Material - Resin Polyester
 Number of Rows 1
 Orientation Vertical
 PC Tail Length (in) 0.134 In
 PC Tail Length (mm) 3.40 mm
 PCB Retention N/A
 PCB Thickness Recommended (in) 0.093 In
 PCB Thickness Recommended (mm) 2.40 mm
 Panel Mount No
 Pitch - Mating Interface (in) 0.150 In
 Pitch - Mating Interface (mm) 3.81 mm
 Plating min: Mating (µin) 30
 Plating min: Mating (µm) 1.18
 Plating min: Termination (µin) 30
 Plating min: Termination (µm) 1.18
 Polarized to Mating Part Yes
 Shrouded Fully
 Stackable No
 Temperature Range - Operating 130°C
 Wire Size AWG N/A

Electrical

Current - Maximum per Contact 12A
 Voltage - Maximum 300V

Material Info



EU RoHS

ELV and RoHS Compliant
REACH SVHC
 Not Reviewed
Halogen-Free Status
Not Reviewed

China RoHS



Need more information on product environmental compliance?

Email productcompliance@molex.com
 For a multiple part number RoHS Certificate of Compliance, [click here](#)

Please visit the [Contact Us](#) section for any non-product compliance questions.

Search Parts in this Series

[39900Series](#)

Mates With

[39900-0316](#) Vertical Plug, Front Wire Entry,
[39900-0216](#) Vertical Plug, Rear Wire Entry,
[39905-0116](#) Horizontal Plug

Old Part Number

901616

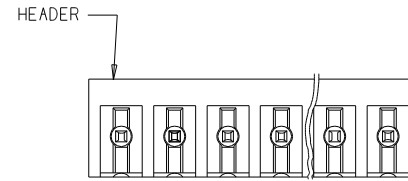
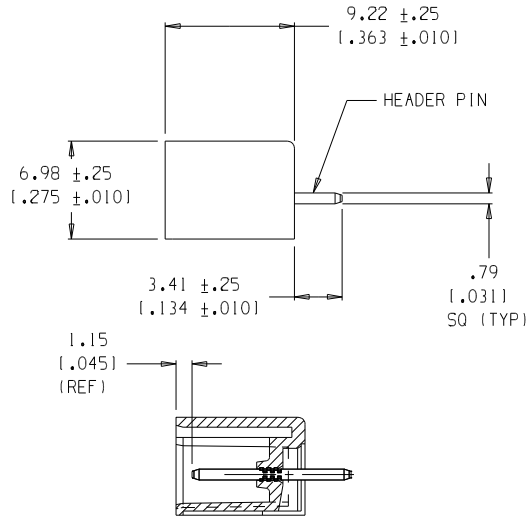
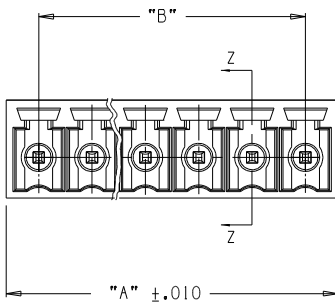
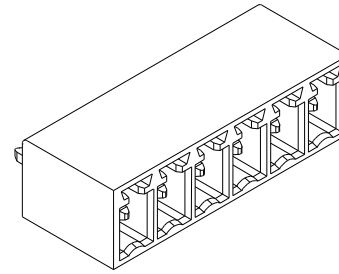
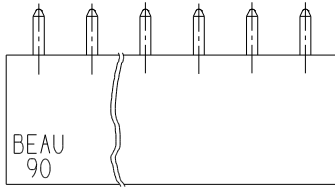
Reference - Drawing Numbers

Sales Drawing

SD-39900-001

This document was generated on 04/12/2010

PLEASE CHECK WWW.MOLEX.COM FOR LATEST PART INFORMATION



SECT. "Z-Z"

NOTES:

1. MATERIAL: SEE TABLE
2. FINISHES: SEE TABLE
3. PRODUCT SPECIFICATION: NOT REQUIRED
4. PACKAGING: NOT REQUIRED
5. MATES WITH: 90 SERIES PLUG
6. "XX" REFERS TO THE NUMBER OF CIRCUITS.
7. SEE DWG SD-38120-003 FOR PRINTING OPTIONS.

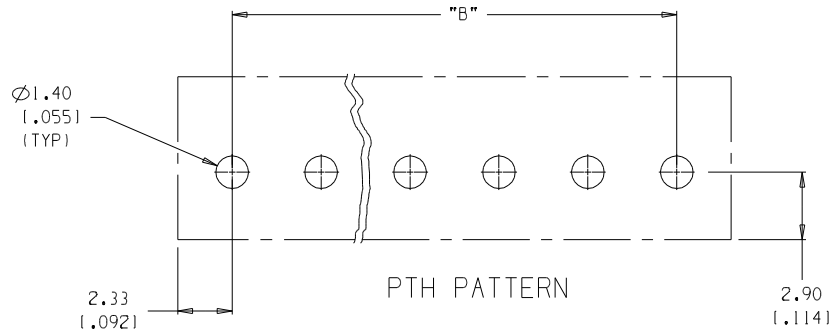
ITEM	QTY.	DESCRIPTION	MATERIAL	FINISH
2	XX	HEADER PIN	BRASS	TIN PLATE
1	1	HEADER	PBT	SEE TABLE

EC NO. 4105 DRWN: GHR 5-2-05 CHK: K APPR: [Signature]	QUALITY SYMBOLS MAJOR [Symbol] CRITICAL [Symbol] SPC [Symbol]	DESCRIPTION REV
--	--	--------------------

GENERAL TOLERANCES: (UNLESS SPECIFIED)	
4 PLACES	mm INCH ±.0015
3 PLACES	±.038 ±.005
2 PLACES	±.13 ±.01
1 PLACE	±.3
ANGULAR: ±2°	
DRAFT WHERE APPLICABLE MUST REMAIN WITHIN DIMENSIONS	

SCALE 3:1	DESIGN UNITS [mm] [X] INCH
THIRD ANGLE PROJECTION [Symbol]	
DRAWN BY & DATE W. HOWARD 10-9-03	
CHECKED BY & DATE L.ROTHAUS 10-9-03	
APPROVED BY & DATE L.ROTHAUS 10-9-03	
CAD FILENAME 9016XX	MATERIAL NO. SEE TABLE

PROJECT NO. -	SHT -	REV -
DIMENSIONS: [mm] [X] INCH [mm] ONLY		REVISE ON CAD ONLY
TITLE: HEADER, VERTICAL 3.81 (.150)		
MOLEX INCORPORATED		
DRAWING NO. SD-39900-001	SHEET NO. 1 OF 2	
THIS DRAWING CONTAINS INFORMATION THAT IS PROPRIETARY TO MOLEX INCORPORATED AND SHOULD NOT BE USED WITHOUT WRITTEN PERMISSION.		
		SIZE B



NUMBER OF CIRCUITS "XX"	DIM. "A"	DIM. "B"	MATERIAL NO. (G30, BLACK)	MATERIAL NO. (GREEN)	MATERIAL NO. (10AV, BLACK)	MATERIAL NO. (BLACK)
02	8.5 (1.33)	3.81 (1.150)	39901-0502	39900-3502		39900-0502
03	12.3 (1.48)	7.62 (1.300)	39901-0503	39900-3503	39902-0503	39900-0503
04	16.1 (1.63)	11.43 (1.450)	39901-0504	39900-3504		39900-0504
05	19.9 (1.78)	15.24 (1.600)	39901-0505	39900-3505		39900-0505
06	23.7 (1.93)	19.05 (1.750)	39901-0506	39900-3506		39900-0506
07	27.5 (1.08)	22.86 (1.900)	39901-0507	39900-3507		39900-0507
08	31.3 (1.23)	26.67 (1.050)	39901-0508	39900-3508		39900-0508
09	35.1 (1.38)	30.48 (1.200)	39901-0509	39900-3509		39900-0509
10	39.0 (1.53)	34.29 (1.350)	39901-0510	39900-3510		39900-0510
11	42.8 (1.68)	38.10 (1.500)	39901-0511	39900-3511		39900-0511
12	46.6 (1.83)	41.91 (1.650)	39901-0512	39900-3512		39900-0512
13	50.4 (1.98)	45.72 (1.800)	39901-0513	39900-3513		39900-0513
14	54.2 (2.13)	49.53 (1.950)	39901-0514	39900-3514		39900-0514
15	58.0 (2.28)	53.34 (2.100)	39901-0515	39900-3515		39900-0515
16	61.8 (2.43)	57.15 (2.250)	39901-0516	39900-3516	39902-0516	39900-0516
17	65.6 (2.58)	60.96 (2.400)	39901-0517	39900-3517		39900-0517
18	69.4 (2.73)	64.77 (2.550)	39901-0518	39900-3518		39900-0518
19	73.2 (2.88)	68.58 (2.700)	39901-0519	39900-3519		39900-0519
20	77.1 (3.03)	72.39 (2.850)	39901-0520	39900-3520		39900-0520
21	80.9 (3.18)	76.20 (3.000)	39901-0521	39900-3521		39900-0521

PROJECT NO. -	-	-
DIMENSIONS:	SHT	REV
<input checked="" type="checkbox"/> mm <input type="checkbox"/> INCH	<input type="checkbox"/> mm ONLY	REVISE ON CAD ONLY

EC NO. SEE SHEET 1 DRAWN: CH'K: APPR: REV DESCRIPTION	QUALITY SYMBOLS MAJOR CRITICAL SPC S	GENERAL TOLERANCES: (UNLESS SPECIFIED) mm INCH 4 PLACES ±.0015 3 PLACES ±.038 ±.005 2 PLACES ±.13 ±.01 1 PLACE ±.3 ANGULAR: ±2° DRAFT WHERE APPLICABLE MUST REMAIN WITHIN DIMENSIONS	SCALE 3:1 DESIGN UNITS <input type="checkbox"/> mm <input checked="" type="checkbox"/> INCH THIRD ANGLE PROJECTION DRAWN BY & DATE W. HOWARD 10-9-03 CHECKED BY & DATE L.ROTHAUS 10-9-03 APPROVED BY & DATE L.ROTHAUS 10-9-03 CAD FILENAME 9016XX	TITLE: HEADER, VERTICAL 3.81 (1.150) MOLEX INCORPORATED MATERIAL NO. SEE TABLE DRAWING NO. SD-39900-001 SHEET NO. 2 OF 2 THIS DRAWING CONTAINS INFORMATION THAT IS PROPRIETARY TO MOLEX INCORPORATED AND SHOULD NOT BE USED WITHOUT WRITTEN PERMISSION.
	THIS DRAWING CONTAINS INFORMATION THAT IS PROPRIETARY TO MOLEX INCORPORATED AND SHOULD NOT BE USED WITHOUT WRITTEN PERMISSION.			SIZE B
				PROJECT NO. - DIMENSIONS: SHT REV REVISE ON CAD ONLY
				TITLE: MOLEX INCORPORATED MATERIAL NO. SEE TABLE DRAWING NO. SD-39900-001 SHEET NO. 2 OF 2