

PLEASE CHECK WWW.MOLEX.COM FOR LATEST PART INFORMATION

Part Number: [0359650214](#)
Status: **Active**
Description: 1.78mm (.070") Tab Multiple Wire-to-Wire Female Housing, 2 Circuits, Vertical, B-Type

Documents:

[Drawing \(PDF\)](#) [RoHS Certificate of Compliance \(PDF\)](#)
[Product Specification PS-35180-002 \(PDF\)](#)

General

Product Family	Crimp Housings
Series	35965
Product Name	N/A

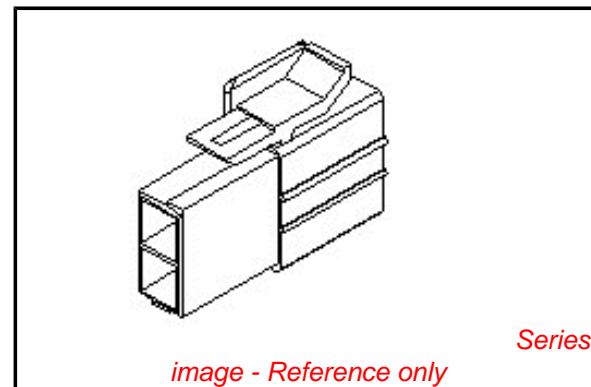
Physical

Circuits (maximum)	2
Gender	Female
Glow-Wire Compliant	No
Number of Rows	2
Packaging Type	Bag
Panel Mount	No
Pitch - Mating Interface (in)	0.315 In
Pitch - Mating Interface (mm)	8.00 mm
Stackable	No
Temperature Range - Operating	-40°C to +120°C

Material Info

Reference - Drawing Numbers

Product Specification	PS-35180-002
Sales Drawing	SD-35965-021*



EU RoHS

ELV and RoHS Compliant
REACH SVHC
 Not Reviewed
Halogen-Free Status
 Not Reviewed

China RoHS



Need more information on product environmental compliance?

Email productcompliance@molex.com
 For a multiple part number RoHS Certificate of Compliance, [click here](#)

Please visit the [Contact Us](#) section for any non-product compliance questions.

Search Parts in this Series

[35965Series](#)

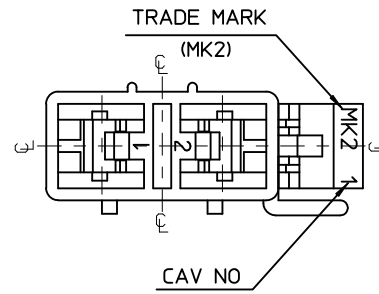
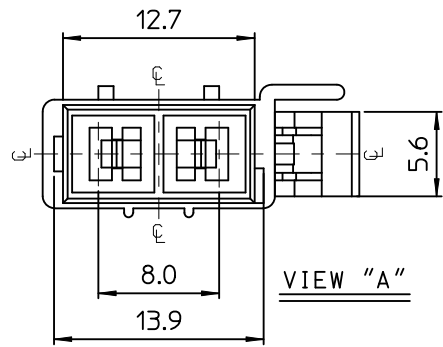
Mates With

[35180](#)

Use With

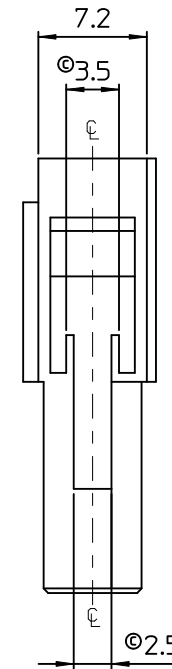
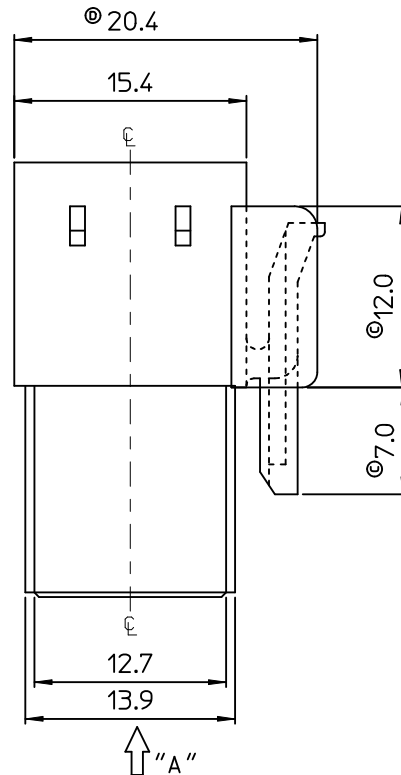
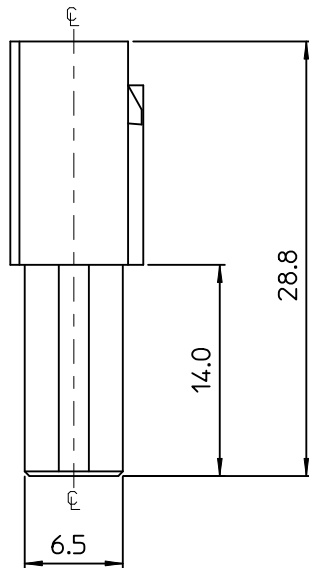
[35746](#)

PLEASE CHECK WWW.MOLEX.COM FOR LATEST PART INFORMATION



NOTES.

1. MATERIAL & COLOR : SEE TABLE
2. MATED HOUSING : 35180-040*
35180-060*
3. APPLICABLE TERMINAL : 35745-0*10
4. APPLICABLE T.P.A : 35965-029*
5. PRODUCT SPECIFICATION : PS-35180-002



No.	PBT(UL94V-0)		PC/PET(UL94V-0)	
	MATERIAL	COLOR	MATERIAL	COLOR
1	35965-0210	NATURAL	35965-9210	NATURAL
2	35965-0212	RED	35965-9212	RED
3	35965-0213	YELLOW	35965-9213	YELLOW
4	35965-0214	BLUE	35965-9214	BLUE

REVISED
 EC NO: KOR2010-0186
 DRWN: JHPARK01 2010/05/17
 CHKD: SHCHU 2010/05/17
 APPR: YUNS IKKIM 2010/05/18

QUALITY SYMBOLS
 ▽=0
 ▽=0

GENERAL TOLERANCES (UNLESS SPECIFIED)

	mm	INCH
4 PLACES	± ---	± ---
3 PLACES	± ---	± ---
2 PLACES	± ---	± ---
1 PLACE	± 0.3	± ---
ANGULAR ± 1°		

DRAFT WHERE APPLICABLE
 MUST REMAIN
 WITHIN DIMENSIONS

DIMENSION STYLE
MM ONLY

DRAWN BY JS.KANG DATE 1995/09/28
 CHECKED BY BK.CHOI DATE 1995/09/28
 APPROVED BY CW.LEE DATE 1995/09/28

MATERIAL NO. SEE TABLE

SCALE 3:1
 DESIGN UNITS METRIC
 THIRD ANGLE PROJECTION

TITLE
070 MULTI FEMALE HSG 2P(B)

molex MOLEX INCORPORATED
 DOCUMENT NO. SD-35965-021* SHEET NO. 1 OF 01

THIS DRAWING CONTAINS INFORMATION THAT IS PROPRIETARY TO MOLEX INCORPORATED AND SHOULD NOT BE USED WITHOUT WRITTEN PERMISSION