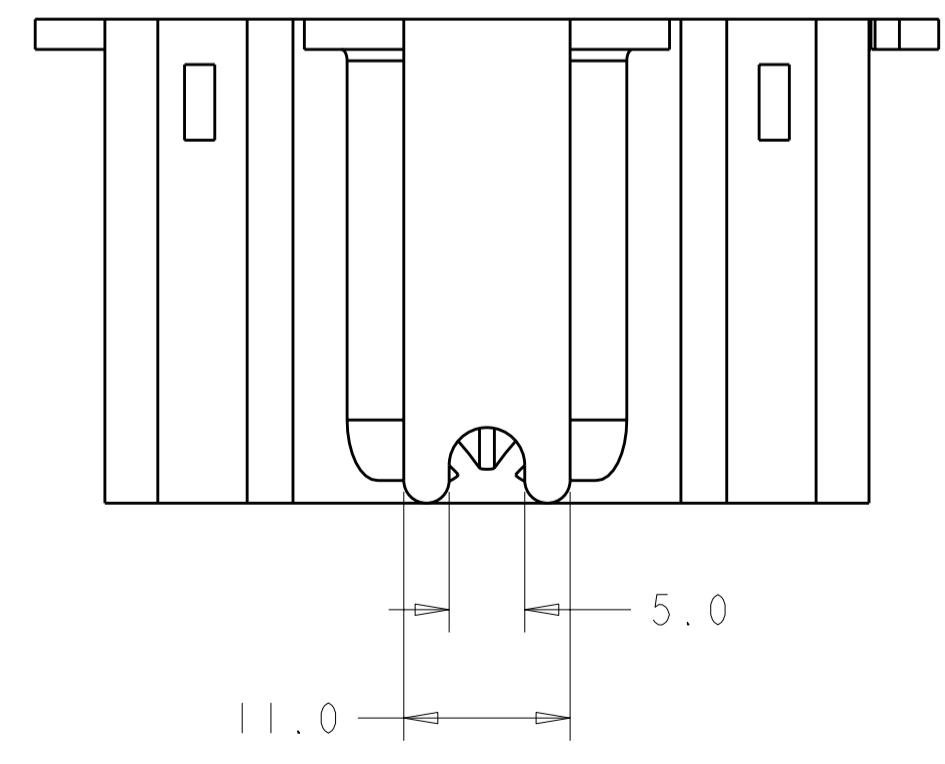
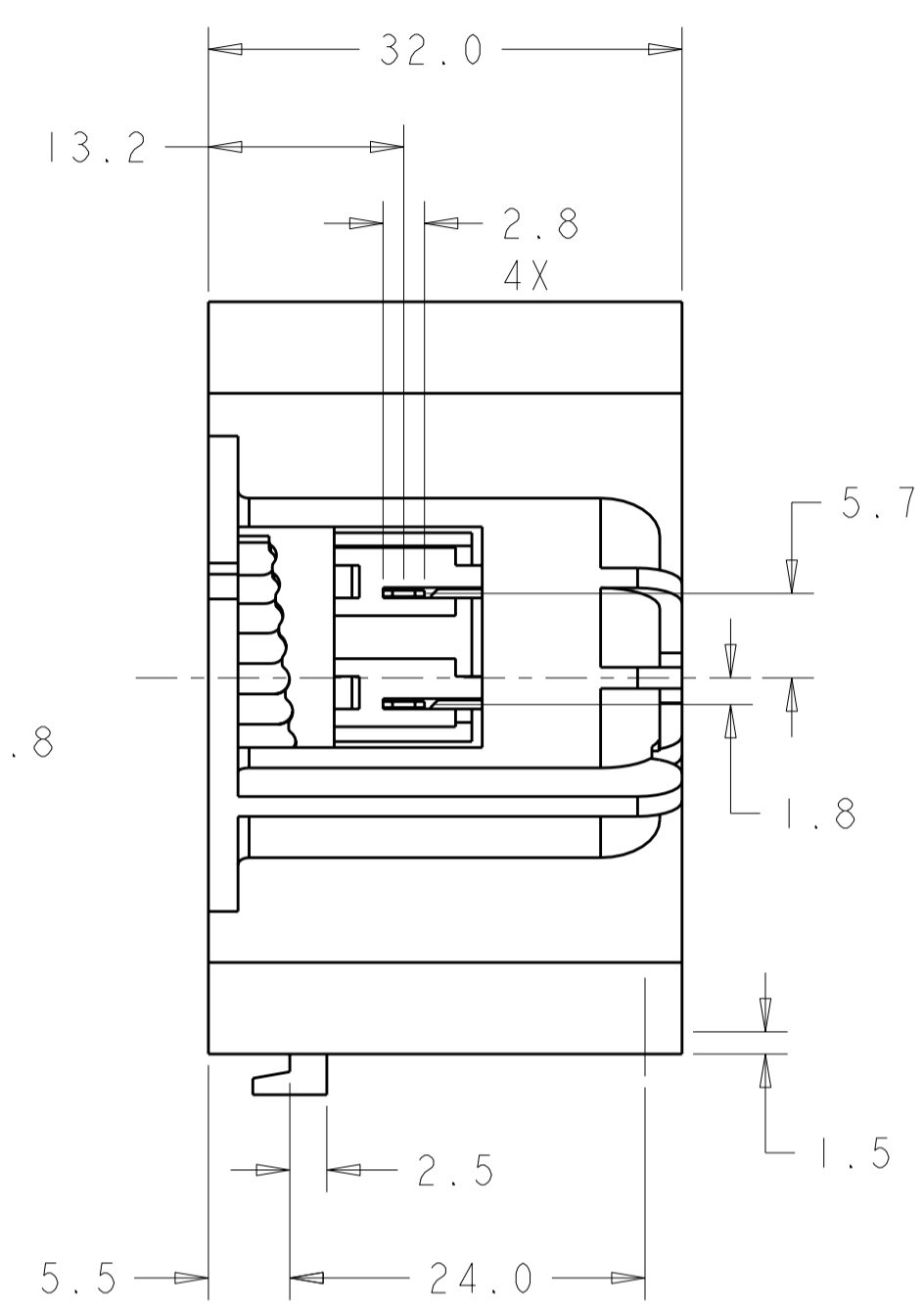
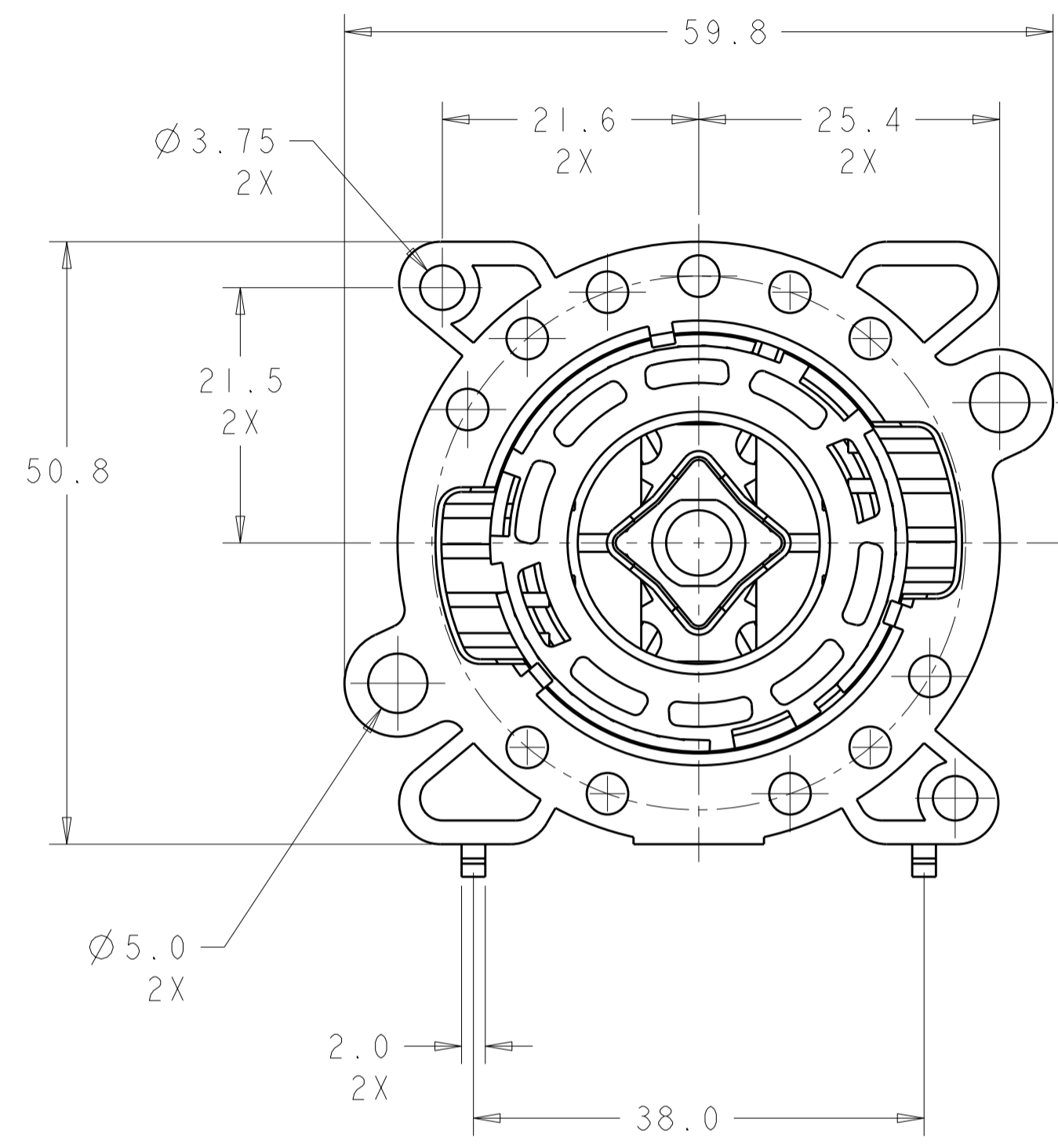
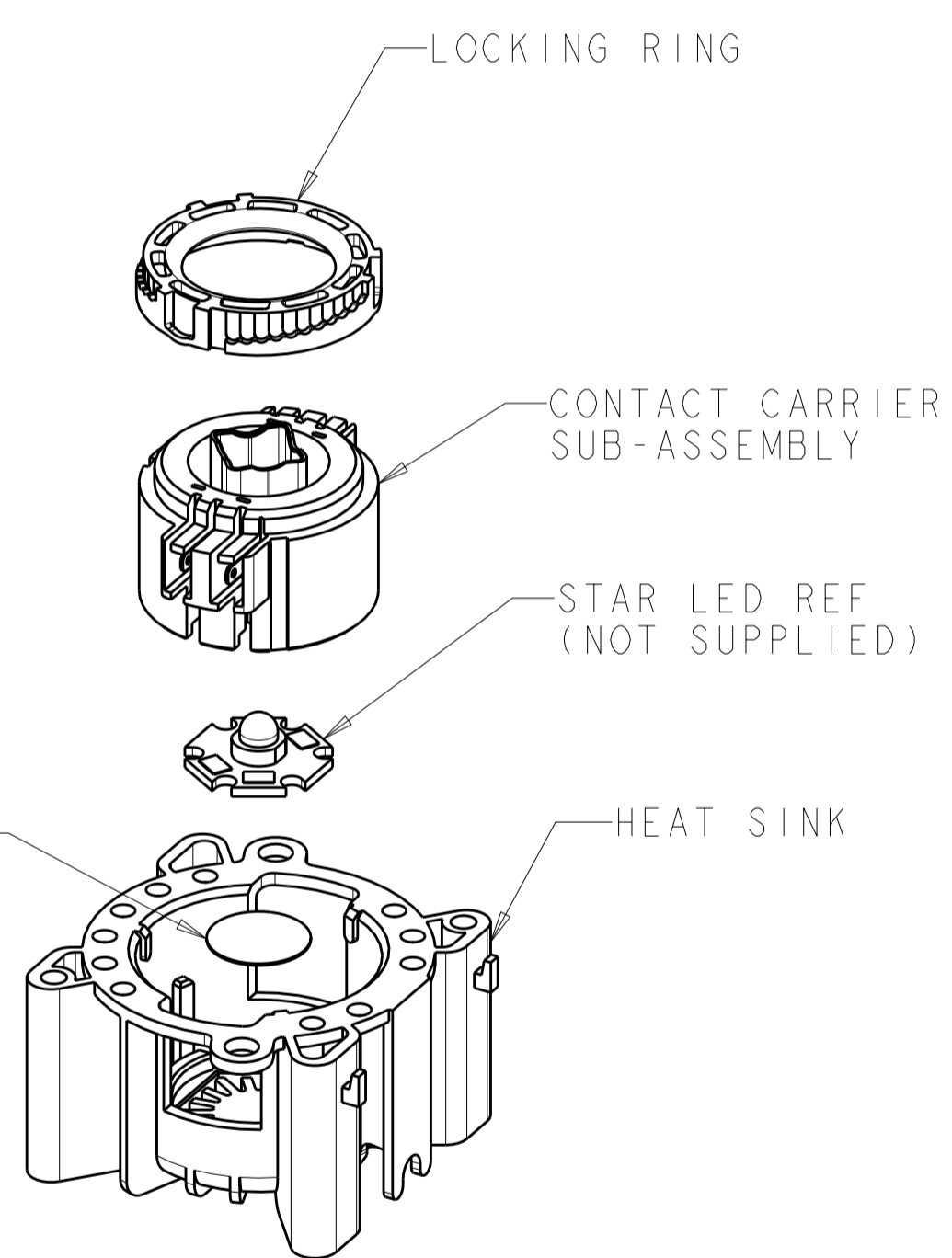


THIS DRAWING IS UNPUBLISHED. RELEASED FOR PUBLICATION 20
 © COPYRIGHT 20 BY TYCO ELECTRONICS CORPORATION. ALL RIGHTS RESERVED.

LOC		DIST		REVISIONS			
P	LTR	DESCRIPTION	DATE	DWN	APVD		
1		PROPOSED	13NOV2007	GS	-		
2		TITLE, SHEET 2, THERM. CONDUCT. PAD	24JUN2008	RB	CG		



- 1 ASSEMBLY SHIPPED UNASSEMBLED
- 2 MATERIALS AND FINISH:
 - CONTACT CARRIER: PBT
 - LOCKING RING: PBT
 - CONTACTS: COPPER ALLOY, FINISH: TIN
 - HEAT SINK: CAST ALUMINIUM
- 3. MUST COMPLY WITH DIRECTIVE 2002/95/EC (ROHS)
- 4. THIS PRODUCT HAS NOT COMPLETED VALIDATION TESTING



EXPLODED VIEW
SCALE 1:1

TYCO ELECTRONICS
 CONFIDENTIAL
 AND PROPRIETARY
 PROPOSED DESIGN
 NOT PRODUCTION TOOLED
 DESIGN IS SUBJECT TO
 CHANGE WITHOUT NOTICE

2008639-1
 PART NUMBER

THIS DRAWING IS A CONTROLLED DOCUMENT FOR TYCO ELECTRONICS CORPORATION. IT IS SUBJECT TO CHANGE AND THE CONTROLLING ENGINEERING ORGANIZATION SHOULD BE CONTACTED FOR THE LATEST REVISION.		DWN C. DAILY 13NOV2007	Tyco Electronics Harrisburg, PA 17105-3608	
DIMENSIONS: mm		CHK C. GINGRICH	NAME ASSY, HIGH POWER LED LIGHT SOCKET FOR AMP LIGHT GUIDE	
TOLERANCES UNLESS OTHERWISE SPECIFIED: 0 PLC ±- 1 PLC ±0.2 2 PLC ±0.15 3 PLC ±- 4 PLC ±- ANGLES ±° FINISH		APVD -	PRODUCT SPEC -	APPLICATION SPEC -
MATERIAL		WEIGHT -	SIZE A200779	CAGE CODE C-2008639
		CUSTOMER DRAWING	SCALE 2:1	SHEET 1 OF 2 REV 2

4

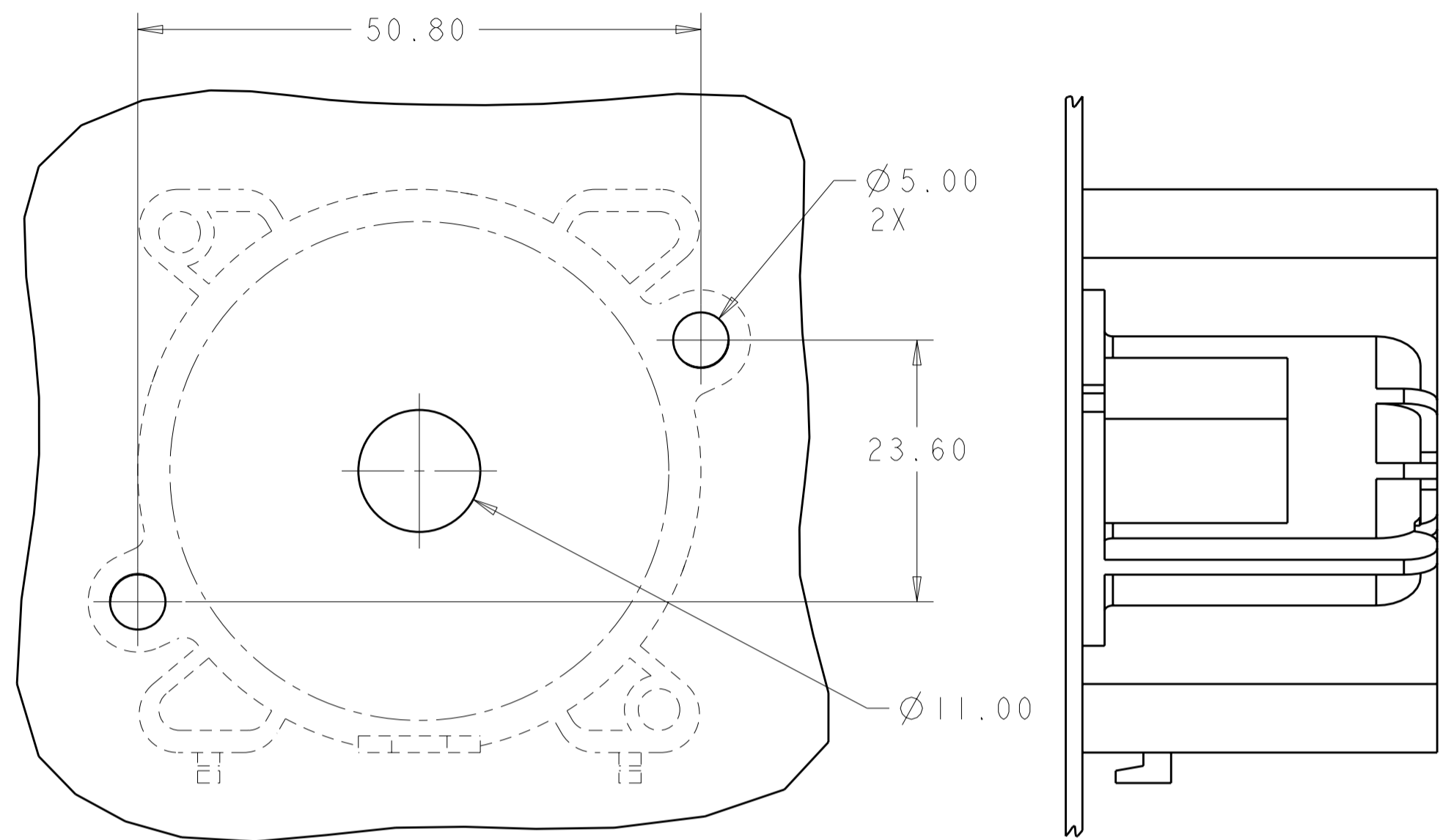
3

2

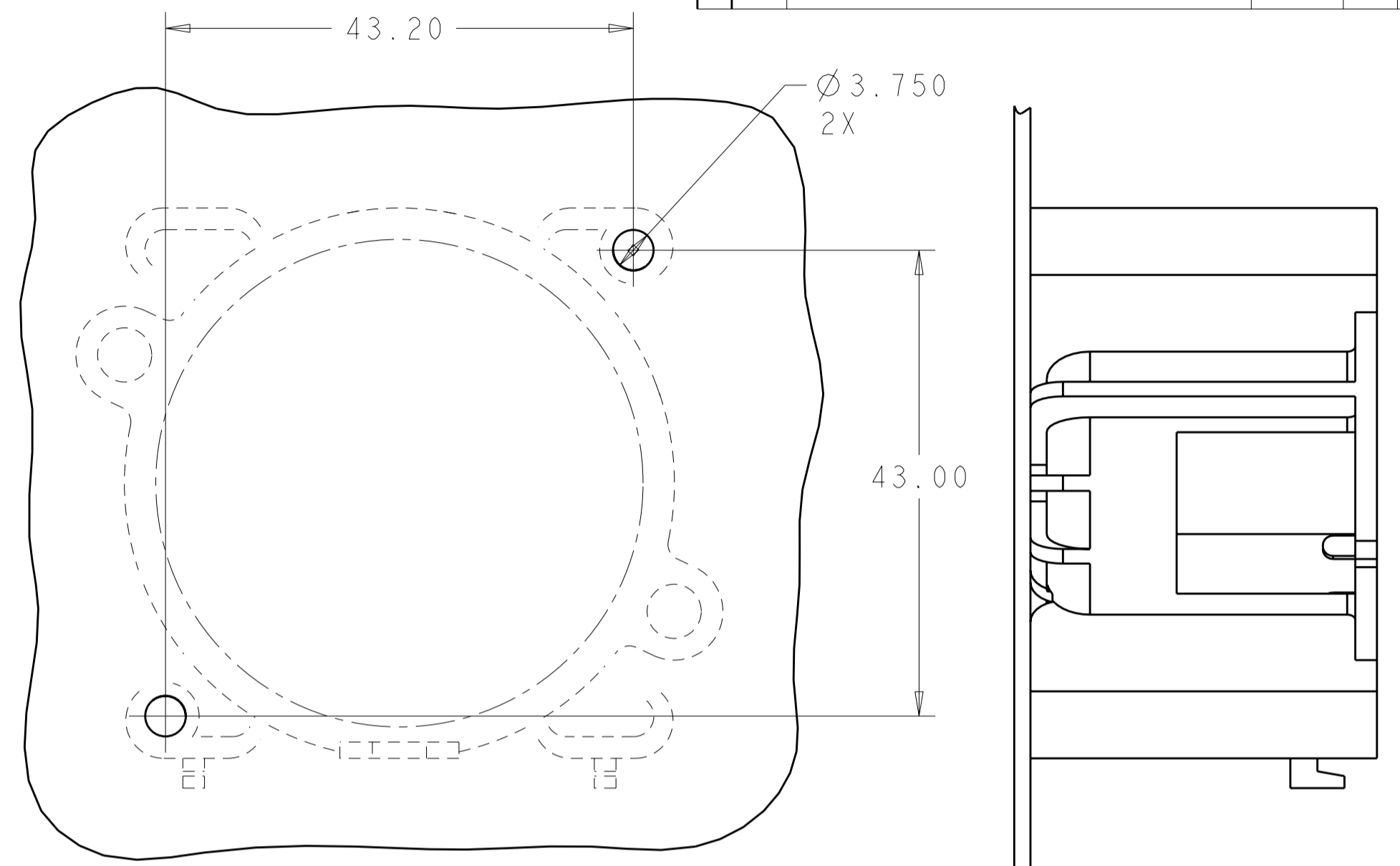
1

THIS DRAWING IS UNPUBLISHED. RELEASED FOR PUBLICATION 20
 © COPYRIGHT 20 BY TYCO ELECTRONICS CORPORATION. ALL RIGHTS RESERVED.

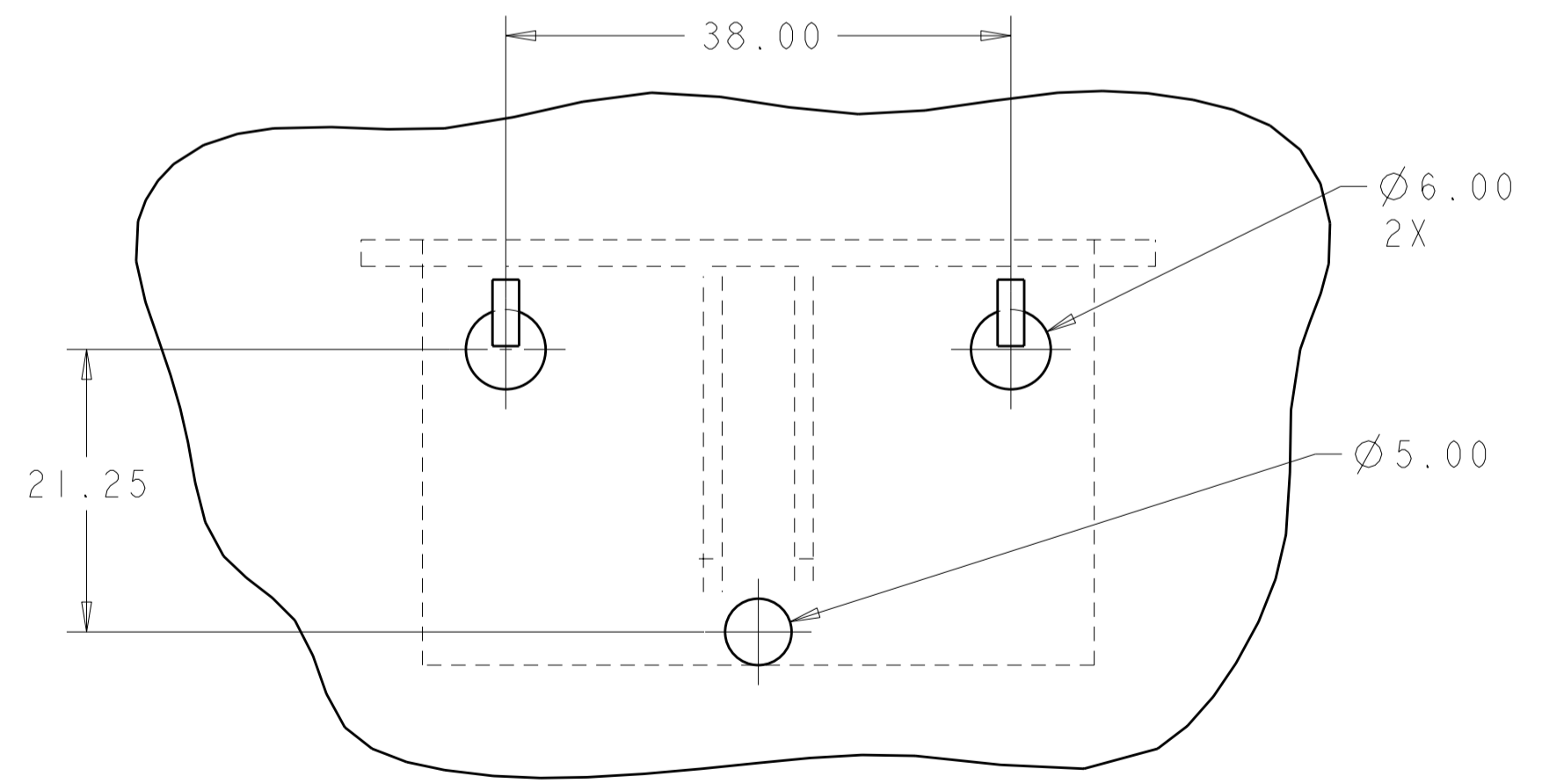
REVISIONS				
P	LTR	DESCRIPTION	DATE	APVD
-	-	SEE SHEET 1	-	-



PANEL LAYOUT
FRONT FACE MOUNTED



PANEL LAYOUT
BACK FACE MOUNTED



PANEL LAYOUT
BOTTOM MOUNTED
(1.2mm MAX PANEL THICKNESS)

TYCO ELECTRONICS
CONFIDENTIAL
AND PROPRIETARY

PROPOSED DESIGN

NOT PRODUCTION TOOLED

DESIGN IS SUBJECT TO
CHANGE WITHOUT NOTICE

THIS DRAWING IS A CONTROLLED DOCUMENT FOR TYCO ELECTRONICS CORPORATION. IT IS SUBJECT TO CHANGE AND THE CONTROLLING ENGINEERING ORGANIZATION SHOULD BE CONTACTED FOR THE LATEST REVISION.		DWN C. DAILY 13NOV2007	Tyco Electronics Harrisburg, PA 17105-3608	
DIMENSIONS: mm		CHK C. GINGRICH	NAME ASSY, HIGH POWER LED LIGHT SOCKET FOR AMP LIGHT GUIDE	
TOLERANCES UNLESS OTHERWISE SPECIFIED: 0 PLC ± 1 PLC ±0.2 2 PLC ±0.15 3 PLC ± 4 PLC ± ANGLES ±° FINISH		APVD -	PRODUCT SPEC -	RESTRICTED TO -
MATERIAL -		APPLICATION SPEC -	WEIGHT -	SCALE 2:1 SHEET 2 OF 2 REV 2
-		CUSTOMER DRAWING	SIZE A200779	DRAWING NO C-2008639