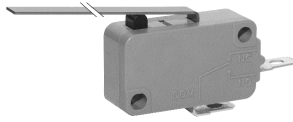


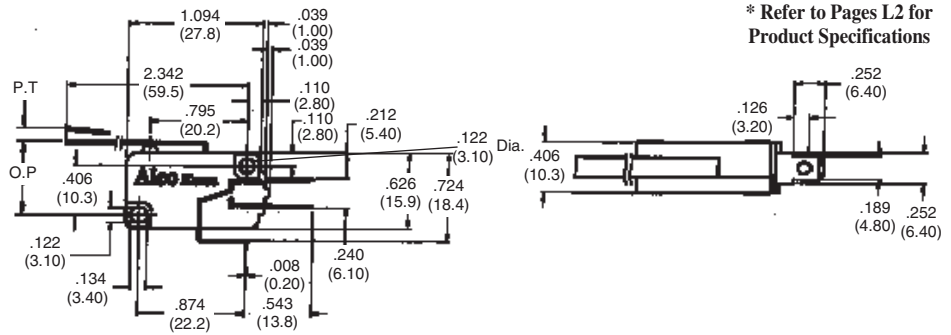
**Miniature Long Lever**

**Spade/Solder Type Terminal**



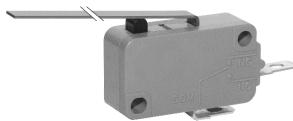
**Product Facts**

- n .187 [4.75] tab with solder holes
- n Use .187 [4.75] FASTON receptacles or solder wire directly to terminal
- n Long lever to increase travel and reduce operating force



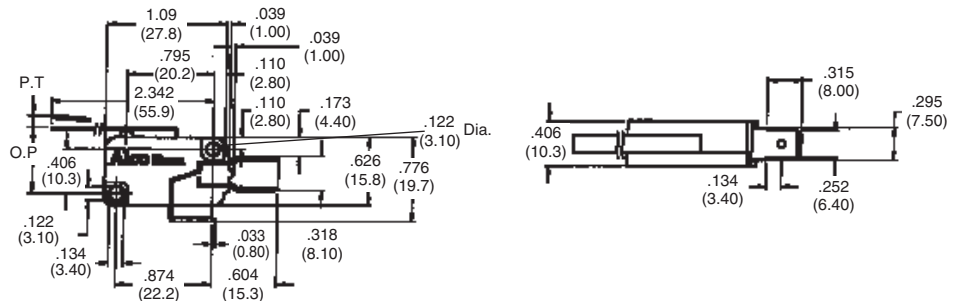
| AMP | Switch Position | Operating Force | Releasing Force | Pre Travel (P.T.) | Operating Position       | Over Travel       | Movement Differential | Part Number |
|-----|-----------------|-----------------|-----------------|-------------------|--------------------------|-------------------|-----------------------|-------------|
|     | SPDT            | 30g             | 5g              | 7.5 m/m<br>[.295] | 15.4 ±3.0<br>[.606±.118] | 2.6 m/m<br>[.102] | 2.4 m/m<br>[.094]     | 1478603-4   |
|     |                 | 60g             | 10g             |                   |                          |                   |                       | 1478604-4   |
|     |                 | 90g             | 15g             |                   |                          |                   |                       | 1478605-4   |
| 16  | SPNC            | 30g             | 5g              | 7.5 m/m<br>[.295] | 15.4 ±3.0<br>[.606±.118] | 2.6 m/m<br>[.102] | 2.4 m/m<br>[.094]     | 1478609-4   |
|     |                 | 60g             | 10g             |                   |                          |                   |                       | 1478610-4   |
|     |                 | 90g             | 15g             |                   |                          |                   |                       | 1478611-4   |
|     | SPNO            | 30g             | 5g              | 7.5 m/m<br>[.295] | 15.4 ±3.0<br>[.606±.118] | 2.6 m/m<br>[.102] | 2.4 m/m<br>[.094]     | 1478615-4   |
|     |                 | 60g             | 10g             |                   |                          |                   |                       | 1478616-4   |
|     |                 | 90g             | 15g             |                   |                          |                   |                       | 1478617-4   |
| 5   | SPDT            | 30g             | 5g              | 7.5 m/m<br>[.295] | 15.4 ±3.0<br>[.606±.118] | 2.6 m/m<br>[.102] | 2.4 m/m<br>[.094]     | 1478667-4   |
|     | SPNC            |                 |                 |                   |                          |                   |                       | 1478668-4   |
|     | SPNO            |                 |                 |                   |                          |                   |                       | 1478669-4   |
| 0.1 | SPDT            | 15g             | 3g              | 7.5 m/m<br>[.295] | 15.4 ±3.0<br>[.606±.118] | 2.6 m/m<br>[.102] | 2.4 m/m<br>[.094]     | 1478670-4   |
|     | SPNC            |                 |                 |                   |                          |                   |                       | 1478671-4   |
|     | SPNO            |                 |                 |                   |                          |                   |                       | 1478672-4   |

**Spade Type Terminal**



**Product Facts**

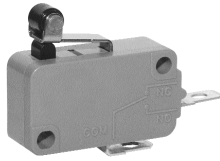
- n .250 [6.35] tab for use with .250 [6.35] FASTON receptacles
- n Long lever to increase travel and reduce operating force



| AMP | Switch Position | Operating Force | Releasing Force | Pre Travel (P.T.) | Operating Position       | Over Travel       | Movement Differential | Part Number |
|-----|-----------------|-----------------|-----------------|-------------------|--------------------------|-------------------|-----------------------|-------------|
|     | SPDT            | 30g             | 5g              | 7.5 m/m<br>[.295] | 15.4 ±3.0<br>[.606±.118] | 2.6 m/m<br>[.102] | 2.4 m/m<br>[.094]     | 1478606-4   |
|     |                 | 60g             | 10g             |                   |                          |                   |                       | 1478607-4   |
|     |                 | 90g             | 15g             |                   |                          |                   |                       | 1478608-4   |
| 16  | SPNC            | 30g             | 5g              | 7.5 m/m<br>[.295] | 15.4 ±3.0<br>[.606±.118] | 2.6 m/m<br>[.102] | 2.4 m/m<br>[.094]     | 1478612-4   |
|     |                 | 60g             | 10g             |                   |                          |                   |                       | 1478613-4   |
|     |                 | 90g             | 15g             |                   |                          |                   |                       | 1478614-4   |
|     | SPNO            | 30g             | 5g              | 7.5 m/m<br>[.295] | 15.4 ±3.0<br>[.606±.118] | 2.6 m/m<br>[.102] | 2.4 m/m<br>[.094]     | 1478618-4   |
|     |                 | 60g             | 10g             |                   |                          |                   |                       | 1478619-4   |
|     |                 | 90g             | 15g             |                   |                          |                   |                       | 1478620-4   |

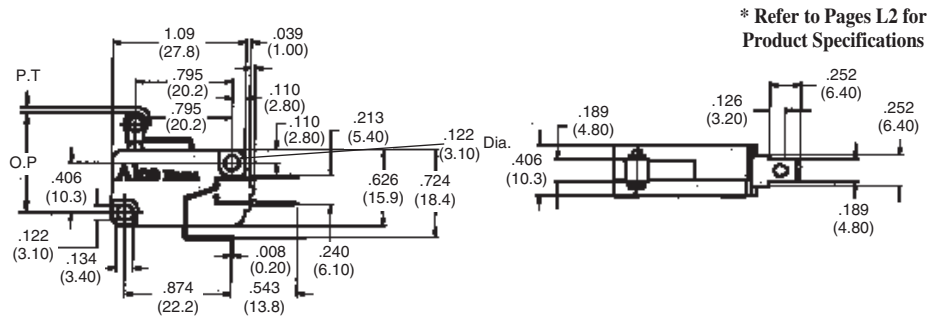
**Miniature Short Roller**

**Spade/Solder Type Terminal**



**Product Facts**

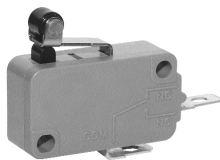
- n .187 [4.75] tab with solder holes
- n Use .187 [4.75] FASTON receptacles or solder wire directly to terminal
- n Short roller to increase operating force and position



\* Refer to Pages L2 for Product Specifications

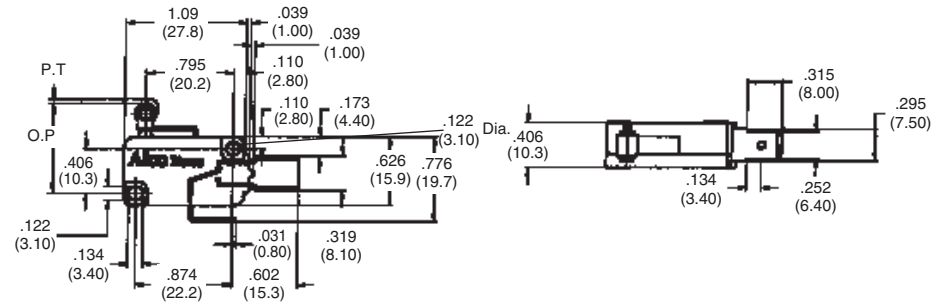
| AMP  | Switch Position | Operating Force | Releasing Force   | Pre Travel (P.T.)        | Operating Position       | Over Travel       | Movement Differential | Part Number |
|------|-----------------|-----------------|-------------------|--------------------------|--------------------------|-------------------|-----------------------|-------------|
| 16   | SPDT            | 140g            | 20g               | 1.6 m/m<br>[.063]        | 20.7 ±0.8<br>[.815±.003] | 0.8 m/m<br>[.031] | 0.4 m/m<br>[.016]     | 1478603-5   |
|      |                 | 240g            | 50g               |                          |                          |                   |                       | 1478604-5   |
|      |                 | 350g            | 70g               |                          |                          |                   |                       | 1478605-5   |
|      | SPNC            | 140g            | 20g               | 1.6 m/m<br>[.063]        | 20.7 ±0.8<br>[.815±.003] | 0.8 m/m<br>[.031] | 0.4 m/m<br>[.016]     | 1478609-5   |
|      |                 | 240g            | 50g               |                          |                          |                   |                       | 1478610-5   |
|      |                 | 350g            | 70g               |                          |                          |                   |                       | 1478611-5   |
| SPNO | 140g            | 20g             | 1.6 m/m<br>[.063] | 20.7 ±0.8<br>[.815±.003] | 0.8 m/m<br>[.031]        | 0.4 m/m<br>[.016] | 1478615-5             |             |
|      | 240g            | 50g             |                   |                          |                          |                   | 1478616-5             |             |
|      | 350g            | 70g             |                   |                          |                          |                   | 1478617-5             |             |
| 5    | SPDT            | 140g            | 20g               | 1.6 m/m<br>[.063]        | 20.7 ±0.8<br>[.815±.003] | 0.8 m/m<br>[.031] | 0.4 m/m<br>[.016]     | 1478667-5   |
|      | SPNC            |                 |                   |                          |                          |                   |                       | 1478668-5   |
|      | SPNO            |                 |                   |                          |                          |                   |                       | 1478669-5   |
| 0.1  | SPDT            | 60g             | 12g               | 1.6 m/m<br>[.063]        | 20.7 ±0.8<br>[.815±.003] | 0.8 m/m<br>[.031] | 0.4 m/m<br>[.016]     | 1478670-5   |
|      | SPNC            |                 |                   |                          |                          |                   |                       | 1478671-5   |
|      | SPNO            |                 |                   |                          |                          |                   |                       | 1478672-5   |

**Spade Type Terminal**



**Product Facts**

- n .250 [6.35] tab for use with .250 [6.35] FASTON receptacles
- n Short roller to increase operating force and position



| AMP  | Switch Position | Operating Force | Releasing Force   | Pre Travel (P.T.)        | Operating Position       | Over Travel       | Movement Differential | Part Number |
|------|-----------------|-----------------|-------------------|--------------------------|--------------------------|-------------------|-----------------------|-------------|
| 16   | SPDT            | 140g            | 20g               | 1.6 m/m<br>[.063]        | 20.7 ±0.8<br>[.815±.003] | 0.8 m/m<br>[.031] | 0.4 m/m<br>[.016]     | 1478606-5   |
|      |                 | 240g            | 50g               |                          |                          |                   |                       | 1478607-5   |
|      |                 | 350g            | 70g               |                          |                          |                   |                       | 1478608-5   |
|      | SPNC            | 140g            | 20g               | 1.6 m/m<br>[.063]        | 20.7 ±0.8<br>[.815±.003] | 0.8 m/m<br>[.031] | 0.4 m/m<br>[.016]     | 1478612-5   |
|      |                 | 240g            | 50g               |                          |                          |                   |                       | 1478613-5   |
|      |                 | 350g            | 70g               |                          |                          |                   |                       | 1478614-5   |
| SPNO | 140g            | 20g             | 1.6 m/m<br>[.063] | 20.7 ±0.8<br>[.815±.003] | 0.8 m/m<br>[.031]        | 0.4 m/m<br>[.016] | 1478618-5             |             |
|      | 240g            | 50g             |                   |                          |                          |                   | 1478619-5             |             |
|      | 350g            | 70g             |                   |                          |                          |                   | 1478620-5             |             |

Miniature Short Roller