

**PLEASE CHECK WWW.MOLEX.COM FOR LATEST PART INFORMATION**

**Part Number:** [0850481483](#)  
**Status:** **Active**  
**Overview:** [din\\_41612](#)  
**Description:** 2.54mm (.100") Pitch DIN 41612/IEC 603-2 Mixed Layout Connector, Through Hole, Vertical, Female Style M, 40 Circuits

**Documents:**

[Drawing \(PDF\)](#) [RoHS Certificate of Compliance \(PDF\)](#)

**Agency Certification**

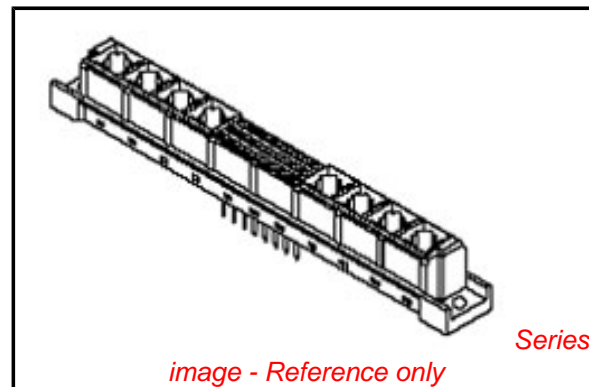
CSA LR19980  
 UL E29179

**General**

Product Family Backplane Connectors  
 Series [85048](#)  
 Application Daughtercard  
 Comments Mixed Layout  
 Component Type PCB Receptacle  
 Overview [din\\_41612](#)  
 Product Name IEC 603-2/DIN 41612  
 Style M

**Physical**

Circuits (Loaded) 40  
 Circuits (maximum) 60  
 Circuits Detail Rows A & C  
 Durability (mating cycles max) 500  
 First Mate / Last Break No  
 Flammability 94V-0  
 Guide to Mating Part No  
 Keying to Mating Part Yes  
 Material - Metal Copper Alloy  
 Material - Plating Mating Gold  
 Material - Plating Termination Tin  
 Number of Columns 20  
 Number of Pairs Open Pin Field  
 Number of Rows 3  
 Orientation Vertical  
 PC Tail Length (in) 0.177 In  
 PC Tail Length (mm) 4.50 mm  
 PCB Locator No  
 PCB Retention Yes  
 Packaging Type Carton  
 Pitch - Mating Interface (in) 0.100 In  
 Pitch - Mating Interface (mm) 2.54 mm  
 Pitch - Term. Interface (in) 0.100 In  
 Pitch - Term. Interface (mm) 2.54 mm  
 Plating min: Mating (µin) 39.37  
 Plating min: Mating (µm) 1.00  
 Polarized to PCB Yes  
 Stackable No  
 Surface Mount Compatible (SMC) No  
 Temperature Range - Operating -55°C to +125°C  
 Termination Interface: Style Through Hole



**EU RoHS** **China RoHS**

**Compliance Status**

**Not Reviewed**

**REACH SVHC**

**Not Reviewed**

**Halogen-Free**

**Status**

**Not Reviewed**

**Need more information on product environmental compliance?**

Email [productcompliance@molex.com](mailto:productcompliance@molex.com)  
 For a multiple part number RoHS Certificate of Compliance, [click here](#)

Please visit the [Contact Us](#) section for any non-product compliance questions.

**Search Parts in this Series**

[85048Series](#)

**Mates With**

DIN 41612/EIC 603-2 Mixed Layout Connector [85009](#) , [85017](#)

**Electrical**

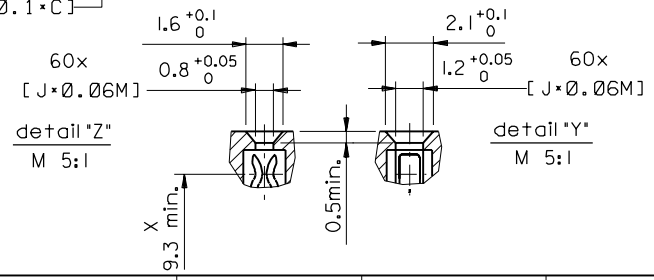
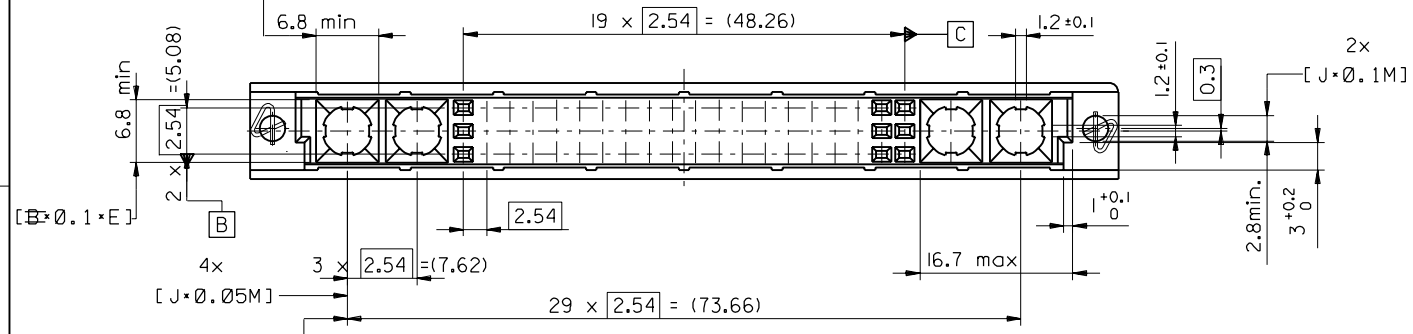
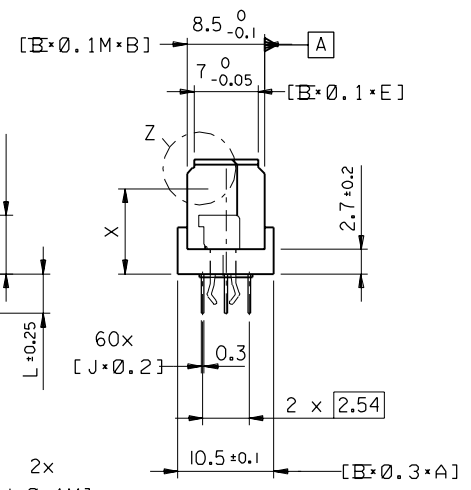
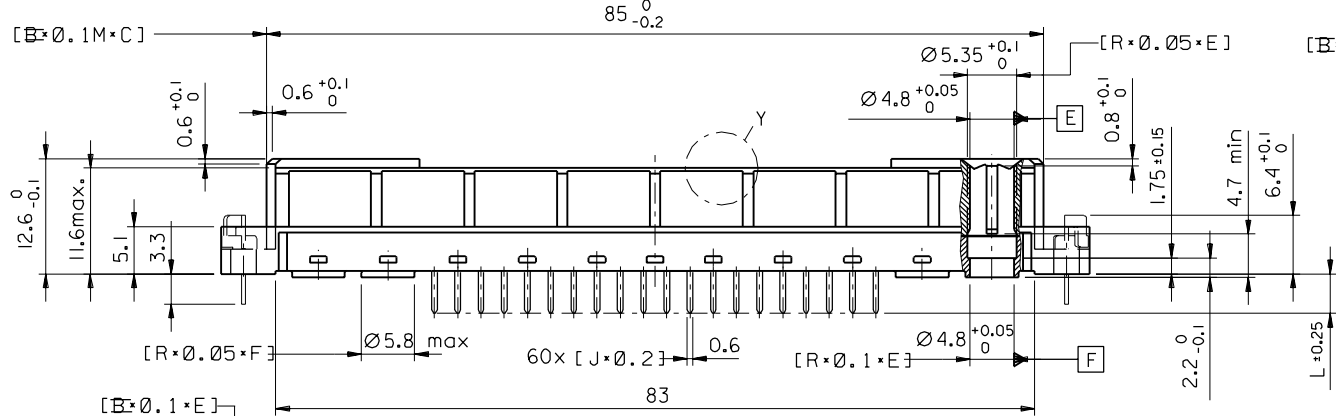
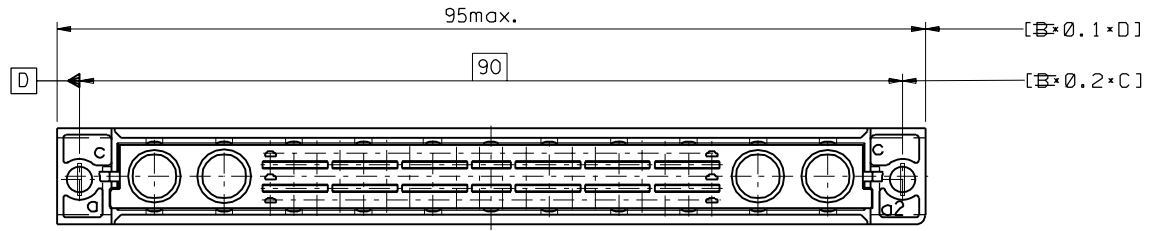
Current - Maximum per Contact	2.5A
Data Rate	622.0 Mbps
Voltage - Maximum	250V AC (RMS)

**Material Info****Reference - Drawing Numbers**

Packaging Specification	PK-85048-001
Sales Drawing	SD-85048-0002, SD-85048-1483

This document was generated on 05/17/2010

**PLEASE CHECK [WWW.MOLEX.COM](http://WWW.MOLEX.COM) FOR LATEST PART INFORMATION**



FIRST ANGLE PROJECTION		REVISE ONLY ON CAD SYSTEM		SH.	REV.
UNLESS OTHERWISE SPECIFIED TOLERANCES: ANGULAR ±2°		DRWG BY	SIGN	CAD/CAM PROJECT NAME	
INCH METRIC		KN		85048000 s21	
3 PLACE ± ±		CHK'D BY	SIGN	THIS DRAWING CONTAINS INFORMATION THAT IS PROPRIETARY TO MOLEX INC. & SHOULD NOT BE USED WITHOUT WRITTEN PERMISSION	
2 PLACE ± ±		Ca		TITLE	
1 PLACE ± ±		APP'D BY	SIGN	60 pol. Federleiste 60 pos. female connector DIN 41612, style M	
DRAFT WHERE APPLICABLE MUST REMAIN WITHIN DIMENSIONS		JB		MOLEX EUROPE	
DESIGN DIMENSION <input checked="" type="checkbox"/> MM <input type="checkbox"/> IN.		SCALE		SHEET NO. DATE	
EQUIVALENT DIMENSION <input type="checkbox"/> MM <input type="checkbox"/> IN.		2:1		1 OF 1 97/04/11	
IF TWO DIMENSIONS ARE SHOWN THE UPPER IS THE DESIGN DIMENSION, LOWER IS SECONDARY		PART NO.		DWG NO.	
ECN 2478 first release		SD-85048-0002		SIZE	
LTR		B			

