

**PLEASE CHECK WWW.MOLEX.COM FOR LATEST PART INFORMATION**

**Part Number:** [0475070010](#)  
**Status:** **Active**  
**Overview:** [battery connectors](#)  
**Description:** 2.00mm (.079") Pitch Battery Connector with side Fitting Nails, SMT, Contact Width 0.70mm (.028"), with Mylar, 4 Circuits, Lead-free

**Documents:**

[3D Model](#) [RoHS Certificate of Compliance \(PDF\)](#)  
[Drawing \(PDF\)](#)

**General**

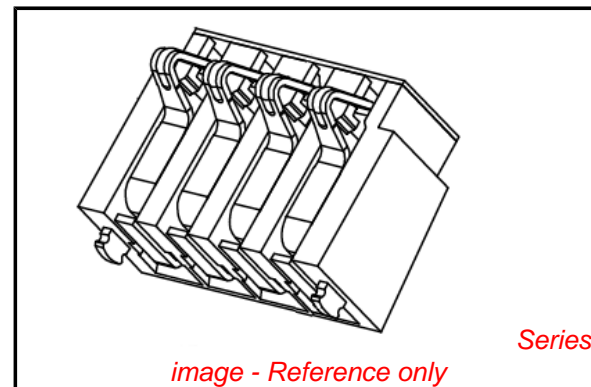
Product Family	PCB Headers
Series	<a href="#">47507</a>
Application	Board-to-Board
Overview	<a href="#">battery connectors</a>
Product Name	Battery Connector

**Physical**

Breakaway	No
Circuits (Loaded)	4
Circuits (maximum)	4
Durability (mating cycles max)	10,000
First Mate / Last Break	No
Glow-Wire Compliant	No
Guide to Mating Part	No
Keying to Mating Part	None
Lock to Mating Part	None
Material - Metal	Beryllium Copper
Material - Plating Mating	Gold
Material - Plating Termination	Gold
Material - Resin	High Temperature Thermoplastic
Number of Rows	1
Orientation	Right Angle
PCB Locator	Yes
PCB Retention	Yes
Packaging Type	Embossed Tape on Reel
Pitch - Mating Interface (in)	0.079 In
Pitch - Mating Interface (mm)	2.00 mm
Pitch - Term. Interface (in)	0.079 In
Pitch - Term. Interface (mm)	2.00 mm
Plating min: Mating (µin)	30
Plating min: Mating (µm)	0.76
Plating min: Termination (µin)	3
Plating min: Termination (µm)	0.08
Polarized to Mating Part	Yes
Polarized to PCB	Yes
Robotic Placement	Vacuum Pick-Up Tape
Shrouded	No
Stackable	No
Temperature Range - Operating	-40°C to +85°C
Termination Interface: Style	Surface Mount

**Electrical**

Current - Maximum per Contact	1.5A, 2A
Voltage - Maximum	200V (RMS)



**EU RoHS**

**ELV and RoHS Compliant**  
**REACH SVHC**  
 Not Reviewed  
**Halogen-Free Status**

**China RoHS**



**Need more information on product environmental compliance?**

Email [productcompliance@molex.com](mailto:productcompliance@molex.com)  
 For a multiple part number RoHS Certificate of Compliance, [click here](#)

Please visit the [Contact Us](#) section for any non-product compliance questions.

**Search Parts in this Series**  
[47507Series](#)

**Solder Process Data**

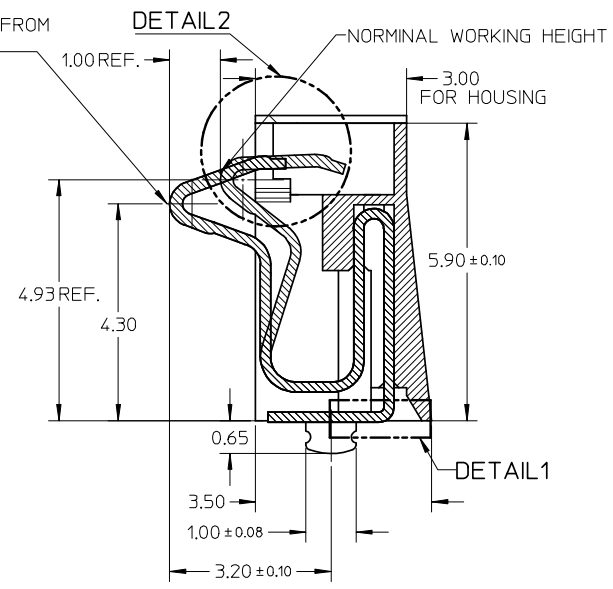
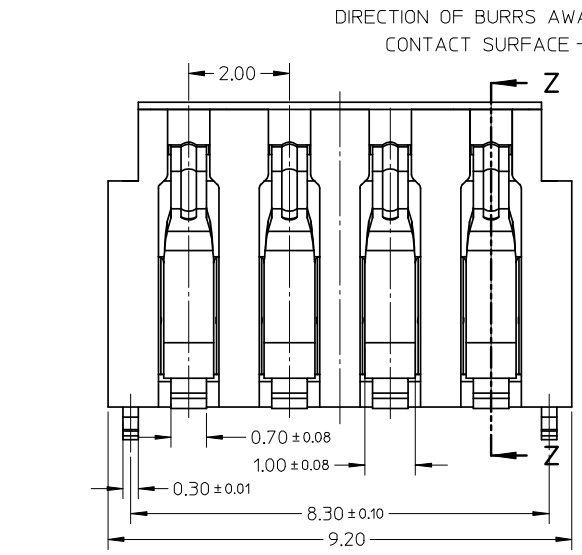
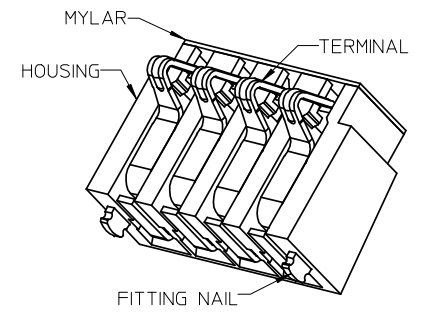
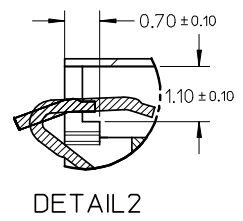
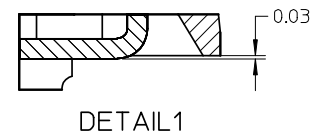
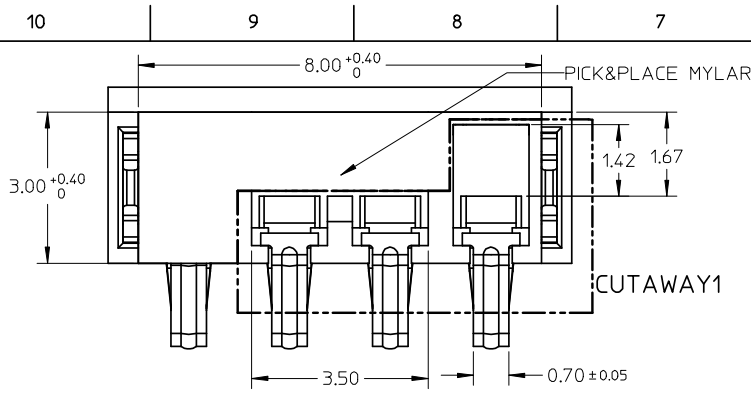
Duration at Max. Process Temperature (seconds)	30
Lead-free Process Capability	Reflow Capable (SMT only)
Max. Cycles at Max. Process Temperature	1
Process Temperature max. C	250

**Material Info****Reference - Drawing Numbers**

Sales Drawing	SD-47507-001
---------------	--------------

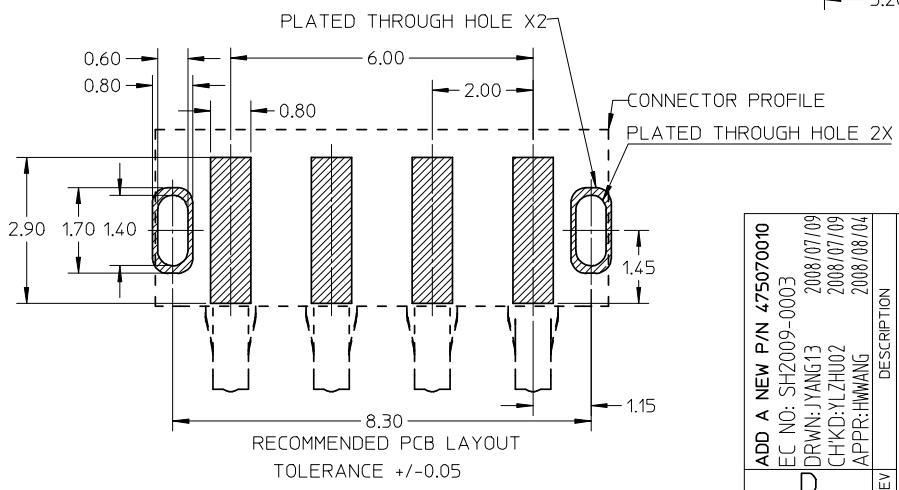
This document was generated on 05/26/2010

**PLEASE CHECK [WWW.MOLEX.COM](http://WWW.MOLEX.COM) FOR LATEST PART INFORMATION**



NOTES:

- 1 MATERIAL:
  - 1-1 TERMINAL : BERYLLIUM COPPER, THICKNESS 0.20MM
  - 1-2 HOUSING : HIGH TEMPERATURE THERMAL PLASTIC
  - 1-3 FITTING NAIL : BRASS, THICKNESS 0.30MM
  - 1-4 MYLAR : THICKNESS 0.15MM
- 2 FINISH:
  - 2-1 TERMINAL :
    - 50~150μ NICKEL UNDER PLATED
    - 30μ MIN GOLD PLATING ON CONTACT AREA
    - 3μ MIN GOLD FLASH ON SOLDERING AREA
  - 2-2 FITTING NAIL :
    - 50~200μ NICKEL UNDER PLATED
    - 100~200μ TIN PLATED ON SOLDERING AREA
- 3 MECHANICAL SPECIFICATION:
  - 3-1 FORCE : 135±25g/ 0.7mm AWAY FROM HOUSING SURFACE
  - 3-2 MATING CYCLES : 10,000 TIMES
- 4 ELECTRICAL SPECIFICATION:
  - 4-1 RATED VOLTAGE : 200 VOLTS RMS MAX.
  - 4-2 RATED CURRENT : 1.5 AMPS CONTINUOUS AND 2 AMPS PULSES
  - 4-3 CONTACT RESISTANCE : 50 MILLIOHMS MAX.
- 5 ADHIBIT MYLAR AFTER ASSEMBLY PROCESS
- 6 COMPLIANT TO RoHS DIRECTIVE 2002/95/EC AND ELV 2000/53/EC.



SECTION Z-Z

475070010	WITH MYLAR
475070001	WITHOUT MYLAR
PART NO.	PART DESCRIPTION
DESIGN UNITS	THIRD ANGLE PROJECTION
METRIC	

ADD A NEW P/N 475070010 EC NO: SH2009-0003 DRWN: JYANG13 CHKD: YLZHU02 APPR: HWANG	2008/07/09 2008/07/09 2008/08/04	QUALITY SYMBOLS ▽=0 ◻=0	GENERAL TOLERANCES (UNLESS SPECIFIED)		DIMENSION STYLE		SCALE	DESIGN UNITS METRIC	THIRD ANGLE PROJECTION
					MM ONLY		10:1		
					DRAWN BY	DATE	TITLE		
					CHECKED BY	DATE			
D REV	DESCRIPTION	DESCRIPTION			XU XIANG	2006-06-29	2.0MM PITCH 4 PINS T/H SIDE CONTACT BATTERY CONN.		
					XU XIANG	2007/03/14	MOLEX INCORPORATED		
					APPROVED BY	DATE			
					JNCHEN	2007/03/19			
			ANGULAR ±---°		MATERIAL NO.	DOCUMENT NO.			
			DRAFT WHERE APPLICABLE MUST REMAIN WITHIN DIMENSIONS		SEE TABLE		SD-47507-001		
					SIZE	THIS DRAWING CONTAINS INFORMATION THAT IS PROPRIETARY TO MOLEX INCORPORATED AND SHOULD NOT BE USED WITHOUT WRITTEN PERMISSION			
					A3				
					SHEET NO. 1 OF 1				