

# Customer Information Sheet

DRAWING No.: M50-350XX42

SHEET 2 OF 2

IF IN DOUBT - ASK

©

NOT TO SCALE

THIRD ANGLE PROJECTION

ALL DIMENSIONS IN mm

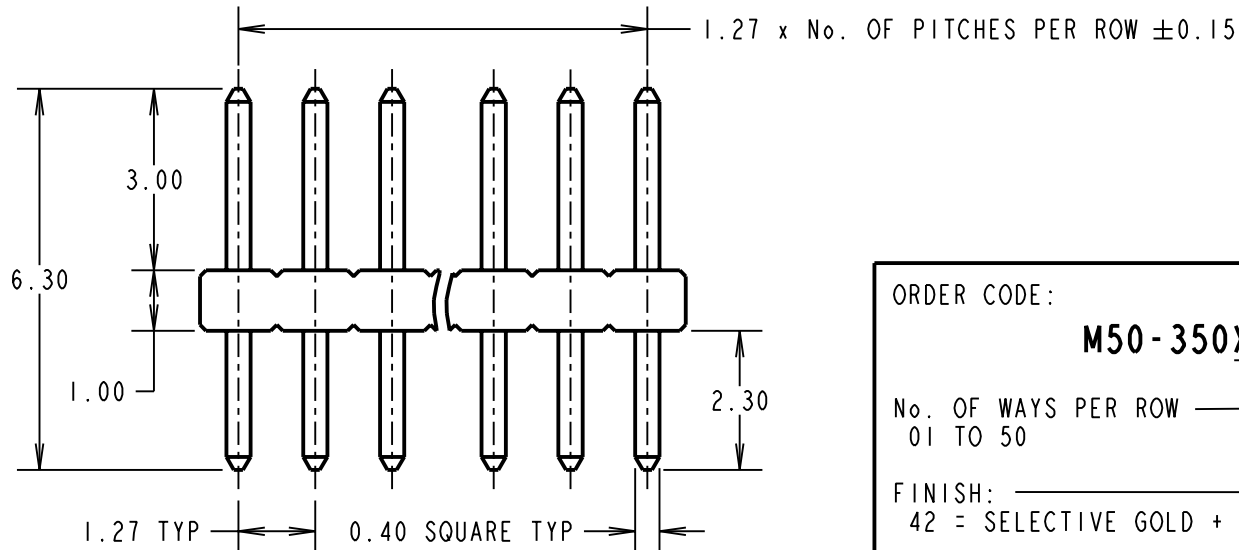
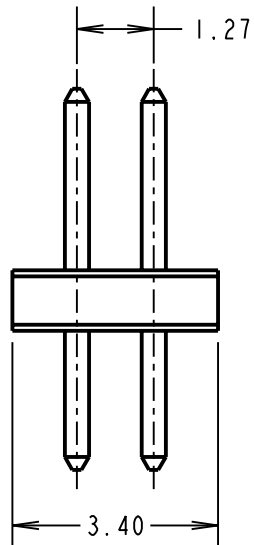
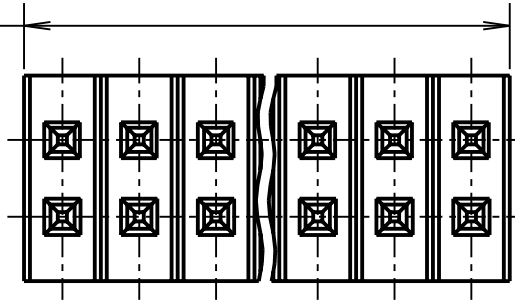
**NOTES:**

1. ALL TOLERANCES ARE  $\pm 0.25$  UNLESS OTHERWISE STATED.
2. RECOMMENDED HOLE SIZE =  $\varnothing 0.65 \pm 0.05\text{mm}$ .

**SPECIFICATION:**

**MATERIAL:**  
 MOULDING = HIGH TEMP THERMOPLASTIC UL94V-0, BLACK  
 CONTACT = HIGH STRENGTH COPPER ALLOY  
**FINISH (CONTACT):**  
 42 = GOLD ON CONTACT AREA, 100% TIN ON TAILS  
**ELECTRICAL:**  
 CURRENT RATING (ALL CONTACTS ARE ELECTRICALLY LOADED) = 1A MAX  
 CONTACT RESISTANCE = 30 mΩ MAX  
 INSULATION RESISTANCE = 5,000 MΩ MIN  
 DIELECTRIC STRENGTH = 500V AC/DC  
**MECHANICAL:**  
 DURABILITY = 600 OPERATIONS  
**ENVIRONMENTAL:**  
 TEMPERATURE RANGE = -40°C TO +105°C  
 FOR COMPLETE SPECIFICATION, SEE COMPONENT SPECIFICATION  
 C029XX (LATEST ISSUE)

1.27 x No. OF WAYS PER ROW  $\pm 0.40$



ORDER CODE:  
**M50-350XX42**

No. OF WAYS PER ROW \_\_\_\_\_  
 01 TO 50

FINISH: \_\_\_\_\_  
 42 = SELECTIVE GOLD + 100% TIN

CP	9	21.04.10	10756
NAME	ISS.	DATE	C/NOTE
APPROVED:		C. PENROSE	
CHECKED:		R. ADDE	
DRAWN:		W. J. BOURNE	
CUSTOMER REF.:			
ASSEMBLY DRG:			

**HARWIN**

HARWIN USA TEL: 603 893 5376 FAX: 603 893 5396 mis@harwin.com	HARWIN Europe (UK) TEL: 023 9231 4545 FAX: 023 9231 4590 mis@harwin.co.uk	HARWIN Asia TEL: +65 6 779 4909 FAX: +65 6 779 3868 mis@harwin.com.sg
--	--	--

THIS DRAWING AND ANY INFORMATION OR DESCRIPTIVE MATTER SET OUT HEREON ARE CONFIDENTIAL AND COPYRIGHT PROPERTY OF THE HARWIN GROUP AND MUST NOT BE DISCLOSED, LOANED, COPIED OR USED FOR MANUFACTURING, TENDERING OR FOR ANY OTHER PURPOSE WITHOUT THEIR WRITTEN PERMISSION.

**TOLERANCES**  
~~X =  $\pm 1\text{mm}$~~   
~~X.X =  $\pm 0.25\text{mm}$~~   
~~X.XX =  $\pm 0.10\text{mm}$~~   
~~X.XXX =  $\pm 0.07\text{mm}$~~   
 ANGLES =  $\pm 5^\circ$   
 UNLESS STATED

**MATERIAL:**  
 SEE ABOVE

**FINISH:**  
 SEE ABOVE

**S/AREA:**  
 mm<sup>2</sup>

**TITLE:**  
 1.27mm PITCH DIL  
 VERTICAL PIN HEADER

**DRAWING NUMBER:**  
**M50-350XX42**

SHT  
 2 OF 2