

PLEASE CHECK WWW.MOLEX.COM FOR LATEST PART INFORMATION

Part Number: [5008090010](#)
Status: **Active**
Description: Mini-HMC™ Shielded Panel-Mount I/O Receptacle Shell, 40 Circuits, 8 Rows, Polarizing Key Type B

Documents:

[3D Model](#) [Product Specification PS-500810-001 \(PDF\)](#)
[Drawing \(PDF\)](#) [RoHS Certificate of Compliance \(PDF\)](#)

General

Product Family	I/O Connectors
Series	500809
Application	Panel-Mount, Wire-to-Wire
Component Type	Panel Mount Shell
Product Name	Mini-HMC™
Type	N/A

Physical

Boot Color	N/A
Circuits (Loaded)	N/A
Circuits (maximum)	40
Durability (mating cycles max)	50
Gender	Receptacle
Keying to Mating Part	Yes
Lock to Mating Part	Yes
Material - Metal	Brass
Material - Plating Mating	Copper
Material - Plating Termination	Copper
Number of Rows	1
Orientation	Vertical
Packaging Type	Bag
Panel Mount	Screws
Pitch - Mating Interface (in)	0.000 In
Pitch - Mating Interface (mm)	0.00 mm
Plating min: Mating (µin)	20
Plating min: Mating (µm)	0.5
Plating min: Termination (µin)	20
Plating min: Termination (µm)	0.5
Polarized to Mating Part	No
Ports	1
Surface Mount Compatible (SMC)	N/A
Temperature Range - Operating	-55°C to +105°C
Termination Interface: Style	Surface Mount
Waterproof / Dustproof	Yes
Waterproof / Dustproof Type	IP65

Electrical

Current - Maximum per Contact	2.5A
Shield Type	Full Shield
Shielded	Yes
Voltage - Maximum	250V AC (RMS)/DC

Material Info

Reference - Drawing Numbers

Product Specification PS-500810-001, RPS-500810-001



image - Reference only

EU RoHS

RoHS Compliant by Exemption
REACH SVHC Not Reviewed
Halogen-Free Status Not Reviewed

China RoHS



Need more information on product environmental compliance?

Email productcompliance@molex.com
 For a multiple part number RoHS Certificate of Compliance, [click here](#)

Please visit the [Contact Us](#) section for any non-product compliance questions.

Search Parts in this Series

500809Series

Mates With

500810-0000

Use With

500813-1000 , 56120-8428 , 56120-8528 , 56121-8428 , 56121-8528

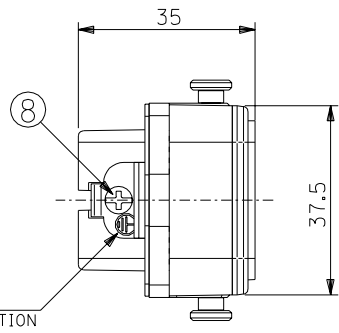
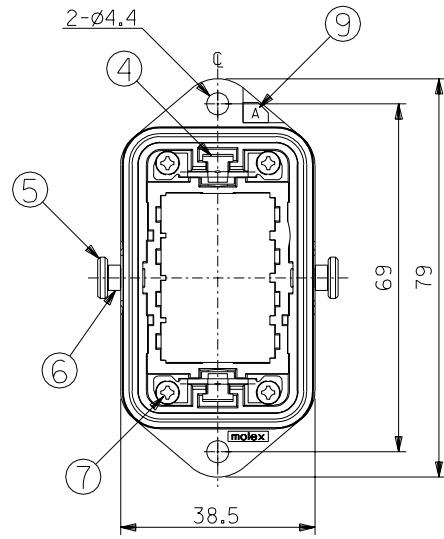
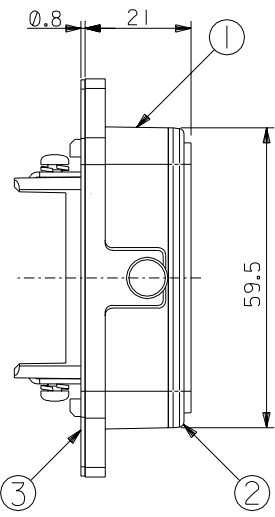
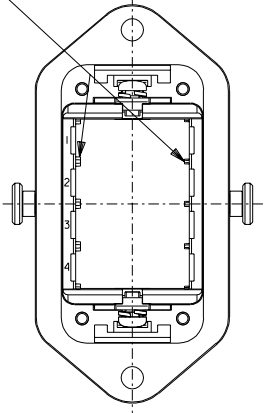
This document was generated on 04/01/2010

PLEASE CHECK WWW.MOLEX.COM FOR LATEST PART INFORMATION

DWG. NO. SD-500809-001

DO NOT SCALE DRAWING

ハウジング挿入方向キー
POLARIZATIONS KEY FOR HOUSING



PEマーク表示
PE MARK IDENTIFICATION

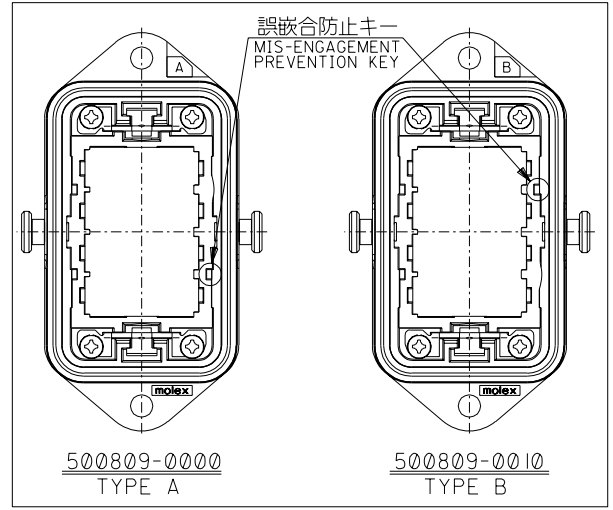
注記:
NOTES:

1. 適用ハウジングとターミナル
APPLICABLE HOUSING AND TERMINAL

適用ハウジング APPLICABLE HOUSING		適用ターミナル APPLICABLE TERMINAL	
ピンハウジング PIN HOUSING	500812-1000	56118-8***	56119-8***
ソケットハウジング SOCKET HOUSING	500813-1000	56120-8***	56121-8***

- M3ねじ推奨締め付トルク: 5~6kgf・cm
M3 SCREW RECOMMENDED TIGHTENING TORQUE
- パネル切り取り寸法は, DWG No. SD-500811-001による。
THE PANEL CUTOUT SIZE IS SHOWN IN SD-500811-001.
- 適用グラウンド圧着端子
APPLICABLE CRIMP TERMINAL FOR GROUND
活線と同等かそれ以上の電線サイズに適用した圧着端子を使用。
RING TERMINAL FOR POWER WIRE SIZE OR BIGGER ONE.
- 適用ダストカバー: 500914-0001
APPLICABLE DUST COVER: 500914-0001

部番 No.	部品名 PART NAME	数量 QTY.	材質 MATERIAL	記事 ARTICLE
①	リセプタクル シェル RECEPTACLE SHELL	1	アルミニウム合金 ALUMINIUM ALLOY	—
②	アッパー ラバー UPPER RUBBER	1	ニトリルゴム NBR	—
③	ローラー ラバー LOWER RUBBER	1	ニトリルゴム NBR	—
④	リセプタクル グランド ターミナル RECEPTACLE GROUND TERMINAL	2	黄銅 BRASS	Niメッキ Ni PLATING
⑤	リセプタクル ロックピン RECEPTACLE LOCKING PIN	2	ステンレス STAINLESS STEEL	—
⑥	スリーブ SLEEVE	2	ステンレス STAINLESS STEEL	—
⑦	ばね座金組込みねじ (M2.5×6) CROSS RECESSED HEAD SCREWS WITH SPRING WASHER (M2.5×6)	4	鋼 STEEL	Niメッキ Ni PLATING
⑧	ばね座金組込みプライめねじ (M3×5) FREE DRIVE HEAD SCREWS WITH SPRING WASHER (M3×5)	2	鋼 STEEL	Niメッキ Ni PLATING
⑨	ラベル LABEL	1	ポリエステル POLYESTER	—



B	500809-0010	500809-00*0
A	500809-0000	
TYPE	MATERIAL NO.	MODEL NO.

EC NO. DRWN: CHK: APPR:	EC NO. DRWN: CHK: APPR:	EC NO. DRWN: CHK: APPR:	REVISED '03/10/07 EC NO. J2004-0781 DRWN: S.AKIYAMA CHK: N.MATSUURA APPR: YO.ITO	REVISED '03/07/02 EC NO. J2004-0013 DRWN: S.AKIYAMA CHK: J.MIYAZAWA APPR: YO.ITO	DESCRIPTION 表参照 SEE TABLE
A					

MATERIAL 材料	FINISH 仕上げ	WIRE RANGE 適用電線範囲	INS. RANGE 被覆外径
	—	—	—

GENERAL TOLERANCES: (UNLESS SPECIFIED) 一般公差	SCALE	DESIGN UNITS mm □ inch
10 UNDER 未満	±0.2	THIRD ANGLE PROJECTION
10 OVER 30 UNDER 以上 未満	±0.25	
30 OVER 以上	±0.3	
ANGLE 角度	±3°	

TITLE: MINI ROBOT CONN. 40P RECEPTACLE SHELL ASS'Y	MATERIAL NO. SEE CHART	DRAWING NO. SD-500809-001	SHEET NO. 1 OF 1
MOLLEX INCORPORATED			
THIS DRAWING CONTAINS INFORMATION THAT IS PROPRIETARY TO MOLEX INCORPORATED AND SHOULD NOT BE USED WITHOUT WRITTEN PERMISSION.			