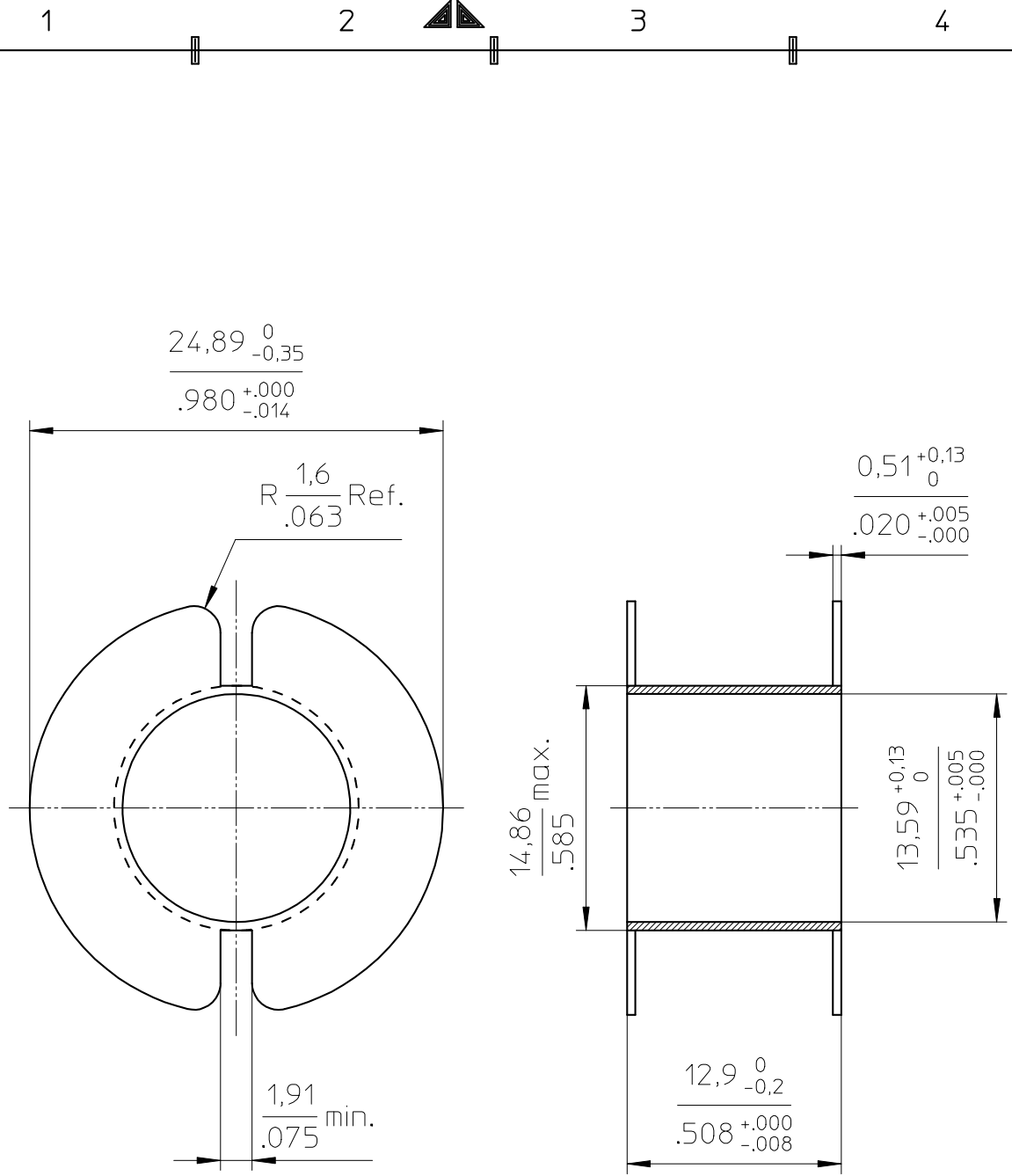


FERROXCUBE



Coil former material: Delrin 900 (POM).
 UL file number: E66288 - UL94HB.
 max. operating temp: 130°
 winding area: 0.091 sq inch

CLASS.NO.				01-06-01
				02-11-04
				08-29-08
		CP-P30/19-1S-A	4335 000 26231	
NAME NAAM	M. Tryngiel	SUPERS. VERV.	1	SH BL. 112 - 001
MPA	CHECK CONTR.	DAT.	Property of Eigendom van	© FERROXCUBE 2000
				A4