

PLEASE CHECK WWW.MOLEX.COM FOR LATEST PART INFORMATION

Part Number: [0738090000](#)
Status: **Active**
Overview: [hdm](#)
Description: 2.00mm (.079") Pitch HDM® Board-to-Board, Midplane Header, Vertical, Open End, No Guide Post, No Polarization Key, 72 Circuits

Documents:

[Drawing \(PDF\)](#) [RoHS Certificate of Compliance \(PDF\)](#)

Agency Certification

CSA LR19980
 UL E29179

General

Product Family Backplane Connectors
 Series [73809](#)
 Application Midplane
 Component Type Shroud Housing
 Overview [hdm](#)
 Product Name HDM®
 Style N/A

Physical

Circuits (Loaded) 72
 Circuits (maximum) 72
 Color - Resin Black
 Durability (mating cycles max) 250
 First Mate / Last Break No
 Flammability 94V-0
 Guide to Mating Part No
 Keying to Mating Part None
 Material - Resin High Temperature Thermoplastic
 Number of Columns 12
 Number of Pairs Open Pin Field
 Number of Rows 6
 Orientation Vertical
 PCB Retention None
 Packaging Type Tube
 Pitch - Mating Interface (in) 0.079 In
 Pitch - Mating Interface (mm) 2.00 mm
 Stackable Yes
 Surface Mount Compatible (SMC) Yes
 Temperature Range - Operating -55°C to +105°C

Electrical

Current - Maximum per Contact 1A
 Data Rate 1.0 Gbps
 Real Signals (per 25mm) 72
 Voltage - Maximum 250V AC

Material Info

Reference - Drawing Numbers

Packaging Specification PK-70873-0818
 Sales Drawing SD-73809-001

HDM and High Density Metric are trademarks of Amphenol Corporation

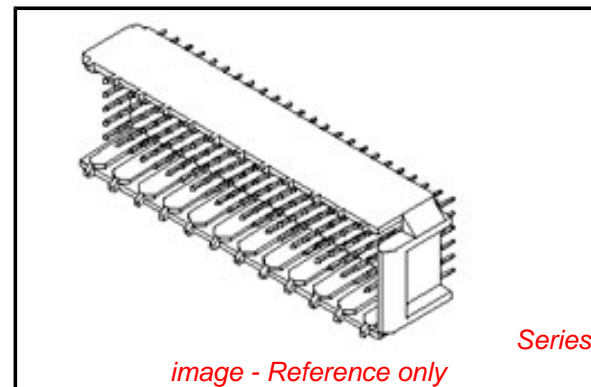


image - Reference only

EU RoHS

**ELV and RoHS
 Compliant**
**REACH SVHC
 Contains SVHC: No**
**Halogen-Free
 Status
 Not Reviewed**

China RoHS



**Need more information on product
 environmental compliance?**

Email productcompliance@molex.com
 For a multiple part number RoHS Certificate of
 Compliance, [click here](#)

Please visit the [Contact Us](#) section for any
 non-product compliance questions.

Search Parts in this Series

[73809Series](#)

Mates With

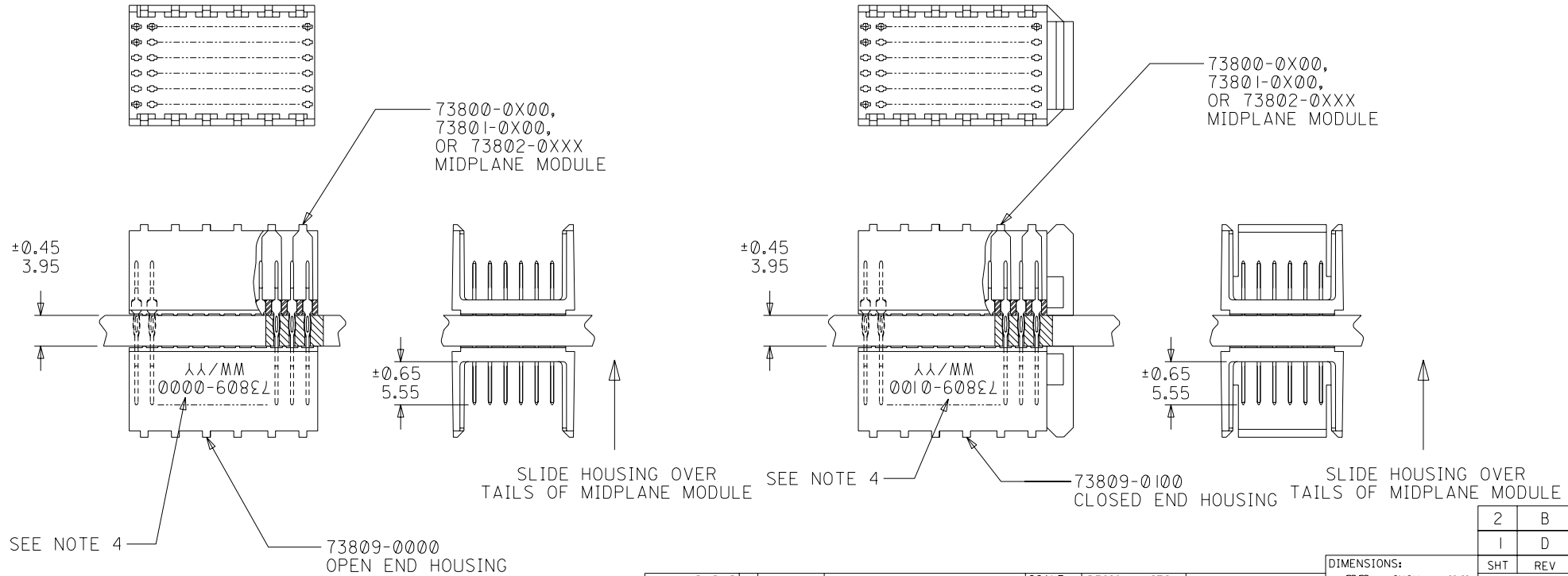
[73632](#) HDM PLUS® Board-to-Board
 Daughtercard Receptacle. [73780](#) HDM®
 Board-to-Board Daughtercard Receptacle

This document was generated on 05/14/2010

PLEASE CHECK WWW.MOLEX.COM FOR LATEST PART INFORMATION

NOTES:

- HOUSING MATERIALS: LIQUID CRYSTAL POLYMER (LCP), GLASS-FILLED, UL94V-0, COLOR: BLACK.
- THIS PART CONFORMS TO MOLEX PRODUCT SPECIFICATION PS-73670-9999.
- SEE DRAWINGS SD-73800-001, SD-73801-001, AND SD-73802-001 FOR DIMENSIONAL INFORMATION.
- PARTS MARKED WITH PART NUMBER AND DATE CODE, ON EITHER SIDE, APPROXIMATELY WHERE SHOWN.
- PARTS PACKAGED PER PK-70873-0818.



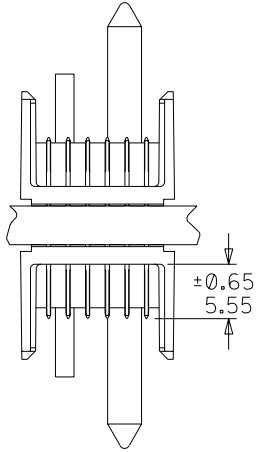
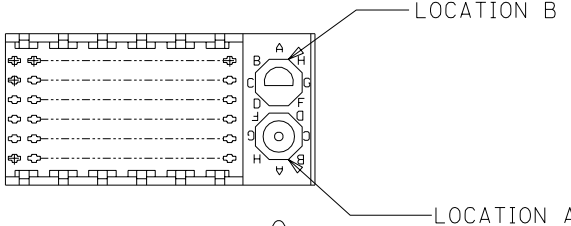
REVISED EC NO: UCP2003-2260 DRWN: THOMAS 03/04/25 CHK: BINGHAM 03/04/25 APPR: REED 03/04/25	DESCRIPTION MAJOR CRITICAL	GENERAL TOLERANCES: (UNLESS SPECIFIED) mm INCH		SCALE 2 : 1	DESIGN UNITS <input checked="" type="checkbox"/> mm <input type="checkbox"/> INCH	THIRD ANGLE PROJECTION <input checked="" type="checkbox"/> THIRD ANGLE <input type="checkbox"/> FIRST ANGLE	DIMENSIONS: <input type="checkbox"/> mm <input type="checkbox"/> INCH <input checked="" type="checkbox"/> mm ONLY		SHT REV 2 B 1 D		
		DRAWN BY & DATE JBINGHAM 97/06/19		CHECKED BY & DATE SREED 97/06/19		TITLE: SALES ASSEMBLY, HDM DOUBLE-END MIDPLANE, 72 POS. SLIDE-ON HOUSING					
		APPROVED BY & DATE CBIXLER 97/06/19		CAD FILENAME S73809X1.DGN		MATERIAL NO. SEE CHART		DRAWING NO. SD-73809-001		SHEET NO. 1 OF 2	
		ANGLAR: ± 1/2°		DRAFT WHERE APPLICABLE MUST REMAIN WITHIN DIMENSIONS		THIS DRAWING CONTAINS INFORMATION THAT IS PROPRIETARY TO MOLEX INCORPORATED AND SHOULD NOT BE USED WITHOUT WRITTEN PERMISSION.					SIZE B

MATERIAL NUMBER ASSIGNMENT

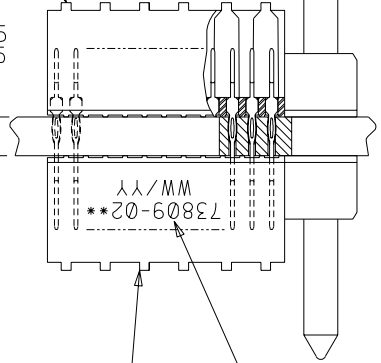
73809- * * * *

0 = 72-CIRCUIT
 0 = OPEN END VERSION
 1 = CLOSED END VERSION
 2 = POLAR/GUIDE VERSION

73800-0X00,
 73801-0X00,
 OR 73802-0XXX
 MIDPLANE MODULE



±0.45
 3.95



SLIDE HOUSING OVER
 TAILS OF MIDPLANE MODULE

73809-02XX
 POLAR/GUIDE HOUSING

SEE NOTE 5

NUMBER	GUIDE POST LOCATION	POLAR KEY POSITION
00	N/A	N/A
01	B	A
02	A	A
03	B	B
04	A	B
05	B	C
06	A	C
07	B	D
08	A	D
09	B	E
10	A	E
11	B	F
12	A	F
13	B	G
14	A	G
15	B	H
16	A	H
17	B	N/A
18	A	N/A

SEE SHEET 1
 EC NO. UDT2000-0443
 DRWN: JBINGHAM 99/11/04
 CHK: SREED 99/11/04
 APPR: CBIXLER 99/11/04

MAJOR
 CRITICAL

REV DESCRIPTION

QUALITY SYMBOLS

GENERAL TOLERANCES: (UNLESS SPECIFIED)

	mm	INCH
4 PLACES	±0.	±.
3 PLACES	±0.	±.
2 PLACES	±0.05	±.
1 PLACE	±0.10	±.

ANGULAR: ± 1/2°

DRAFT WHERE APPLICABLE MUST REMAIN WITHIN DIMENSIONS

SCALE 2 : 1

DESIGN UNITS mm INCH

THIRD ANGLE PROJECTION

DRAWN BY & DATE
 JBINGHAM 97/06/19

CHECKED BY & DATE
 SREED 97/06/19

APPROVED BY & DATE
 CBIXLER 97/06/19

CAD FILENAME
 S73809X2.DGN

DIMENSIONS: mm INCH mm ONLY

SHT REV
 REVISION ON CAD ONLY

TITLE: SALES ASSEMBLY, HDM
 DOUBLE-END MIDPLANE, 72 POS.
 SLIDE-ON HOUSING

MOLEX INCORPORATED

MATERIAL NO. SEE CHART
 DRAWING NO. SD-73809-001
 SHEET NO. 2

SIZE B